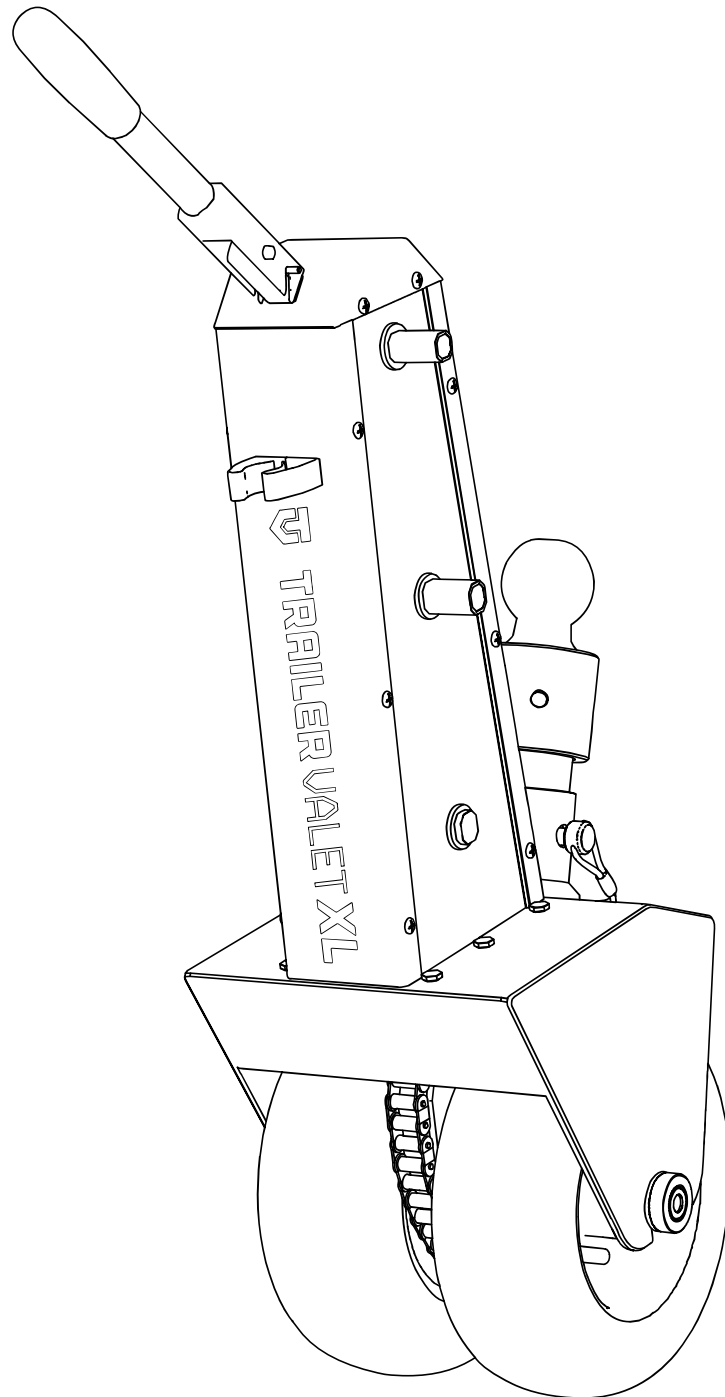


# TRAILER VALET XL



## *OPERATING MANUAL*

THE MOST ADVANCED TRAILER DOLLY ON THE PLANET

---



Carefully read and understand all the instructions before connecting your new Trailer Valet.

Failure to follow these guidelines may result in serious injury to persons and property for which the manufacturer cannot be held liable.

Do not allow persons to operate or assemble this trailer dolly until they have read this manual and have developed a thorough understanding of how the trailer dolly works.

## SAVE THESE INSTRUCTIONS

### *TABLE OF CONTENTS*

SPECIFICATIONS .....	3
WARNINGS.....	4
OVERVIEW.....	5
ASSEMBLY.....	6
OPERATING INSTRUCTIONS .....	7-9
WARRANTY.....	10
MAINTENANCE.....	11

---

# *THANK YOU FOR YOUR PURCHASE!*

Congratulations on your purchase of the patented Trailer Valet. For your future reference please complete the owner's record below:

Purchase Date: \_\_\_\_\_ Retailer: \_\_\_\_\_ Order No.: \_\_\_\_\_

Be sure to save your receipt and owner's manual with warranty information in a safe place.

---

## *SPECIFICATIONS*

The Trailer Valet is made of high strength steel and given a powder coat finish made to resist corrosion from the elements and marine use. When cared for properly, it will provide years of service. Trailer Valet mounts to the coupler of the trailer tongue with the aid of our specially designed ball attachment. Once mounted to your trailer, the Trailer Valet makes maneuvering your trailer much easier than your old jack. Hitching and unhitching, leveling and moving is now done with precision. The Trailer Valet XL is designed for trailers up to 10,000 lbs. The Trailer Valet is for use only on paved surfaces or compacted gravel and soils that are free of debris.

Wheel size: 9 inches

Jack range: 16 inches

Tongue max weight: 1,000 lbs.

Trailer max weight: 10,000 lbs.

Weight: 50 lbs.

Maximum dimensions: 29" H x 13" L x 7.5"

Patent pending.



**SCAN THIS QR CODE to see a video on the features that make the Trailer Valet a trailer dolly like no other!**

---

## WARNINGS

- Carefully read all instructions.
- The Trailer Valet is designed for specific applications only. SuperTech S. Corporation cannot be responsible for issues arising from modifications made onto the device. Do not modify the device or use the device for any application other than its intended purpose. Do not exceed the designated weight limits.
- Do not operate the device while under the influence of drugs or alcohol. Read prescription warning labels to determine if the use of prescription drugs may impair your ability to operate the device.
- Stay Alert! Do not operate if you are tired.
- As with all devices with moving parts, do not wear excessively loose clothing, as it may become caught, resulting in injury. Tie back and secure long hair.
- Have a second person guide your trailer's movements while using the Trailer Valet to avoid property damage, especially in narrow or poorly visible areas.
- Operator and bystanders should never place any part of the body under or in the path of any portion of this product or the load being supported or moved.
- This product must be installed and used in strict accordance with these instructions.
- Always remember to set the brakes before leaving or if you are having trouble maintaining control of the trailer.
- DO NOT use the Trailer Valet on slopes and inclines.
- In preparing this manual, we strive to cover all possible conditions that the customer may encounter when using the Trailer Valet. The operator of the product must exercise common sense, caution and full judgment when assessing situations not covered or cautioned in this manual.
- DO NOT use the Trailer Valet with underinflated tires.
- Always read and understand your drill/driver operator's manual and instructions.
- Before each use of the Trailer Valet, check for damaged parts. Carefully inspect the device for any part that appears to be damaged to determine if the device will operate properly. Check for alignment and secure mounting of all moving parts. If the device is neither aligned, secured or both, DO NOT use the device. We recommend attaching wheel blocks on the wheels of the vehicle until the device can be properly repaired or replaced by a qualified technician.
- When servicing, use only factory replacement parts.
- This product is not intended to be used as a transport device for the implement it is attached to.
- Have wheel blocks ready in case of emergency.
- Never exceed the maximum rated capacity. Refer to the operating manual or decals on the product to obtain rated capacity. If uncertain, contact Customer Support at 626-400-6299 or visit the website [www.trailervalet.com](http://www.trailervalet.com).
- These dollies are designed for vertical loading. Excessive side forces may cause failure and must be avoided.
- The use of gloves are recommended while attaching the device to the trailer.
- The Trailer Valet is designed for use on solid surfaces or compact gravel and grass. DO NOT use the product on excessively soft surfaces or muddy terrain, since the device will not be able to gain traction. If there is no traction despite being on a solid surface, consider lowering the Trailer Valet further or shifting more of the weight of your trailer forward.
- DO NOT submerge the Trailer Valet in water (salt or fresh) or leave it in water for prolonged periods, since this can damage the gears and erode lubricants.

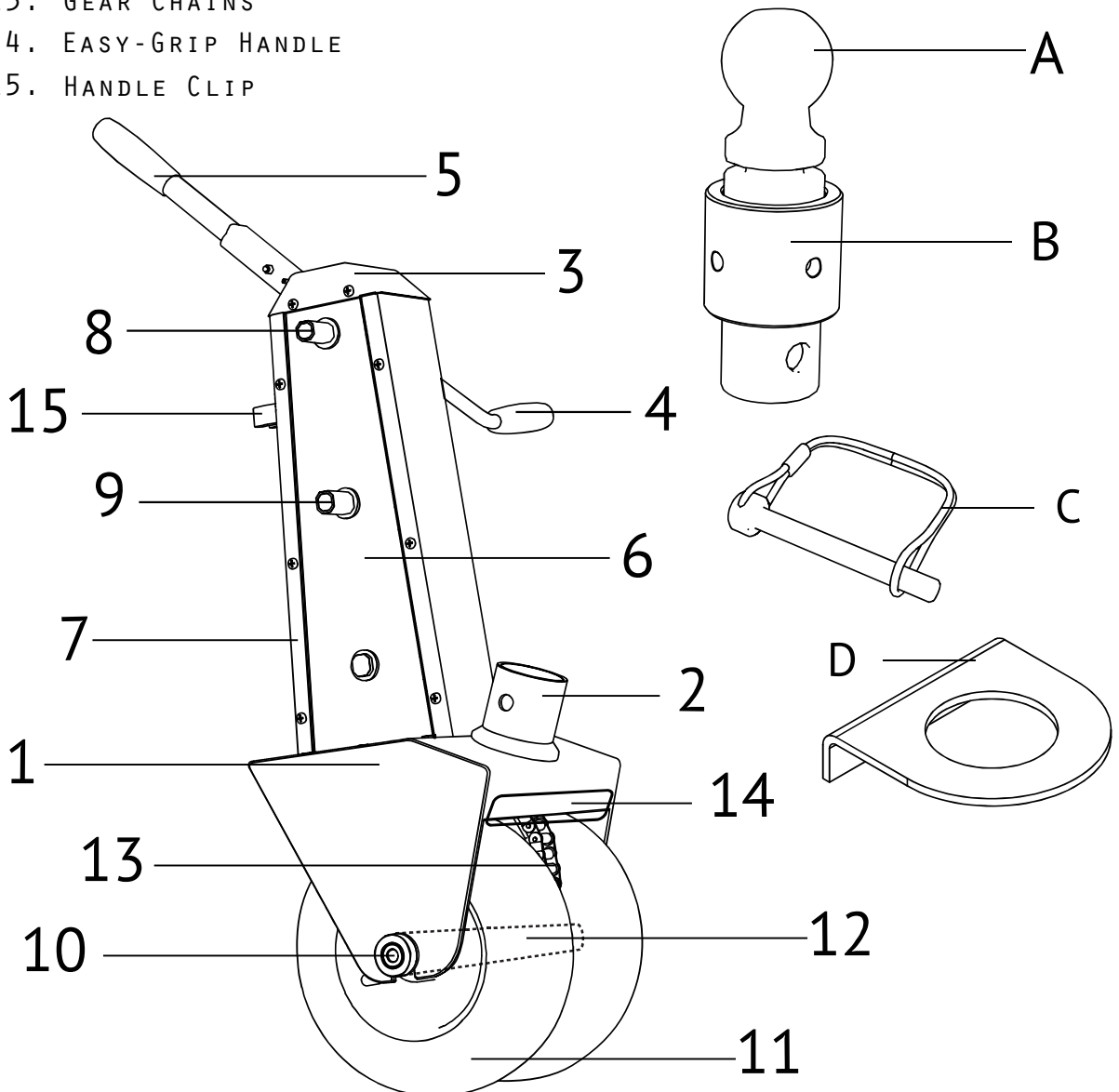
---

# OVERVIEW

## WHAT'S IN THE BOX:

1. AXLE YOKE ASSEMBLY
2. ROTATING COUPLER
3. BRAKE CAP ASSEMBLY
4. DRIVE HANDLE
5. STEERING/BRAKE HANDLE
6. SIDE PLATES
7. GEAR COVERS
8. LOW GEAR DRIVESHAFT
9. MEDIUM GEAR DRIVESHAFT
10. AXLE BEARINGS
11. RIMS AND TIRES
12. TIRE AXLE
13. GEAR CHAINS
14. EASY-GRIP HANDLE
15. HANDLE CLIP

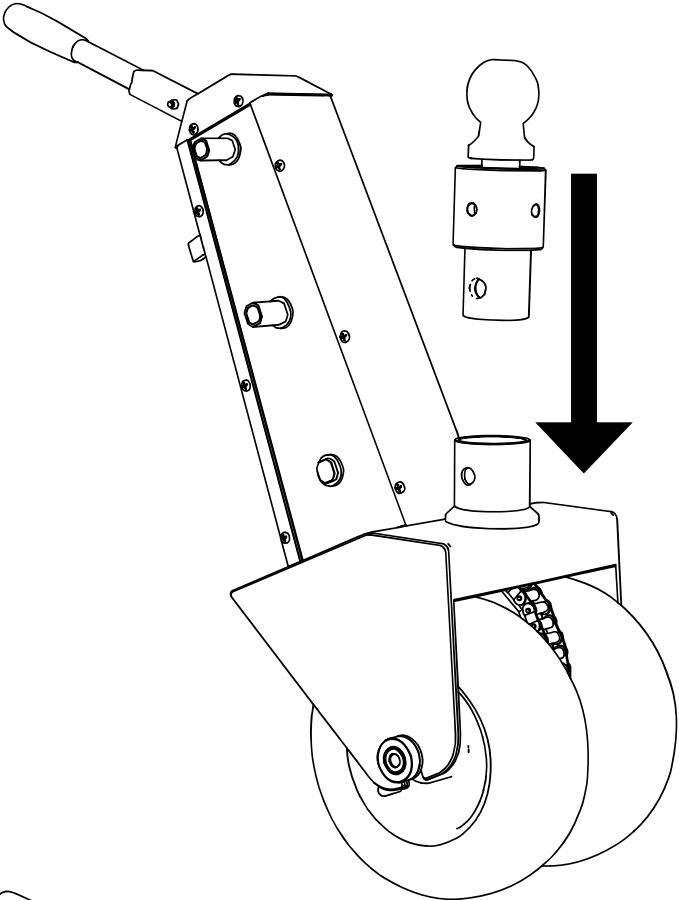
- THE TRAILER VALET
  - TIGHTENING TOOL
  - DRILL SOCKET
  - CLEANING CLOTH
  - BALL ATTACHMENT
- A. 2" OR 2-5/16" BALL  
B. LOCKING NUT AND BASE  
C. ROTATION PIN  
D. COUPLING PLATE



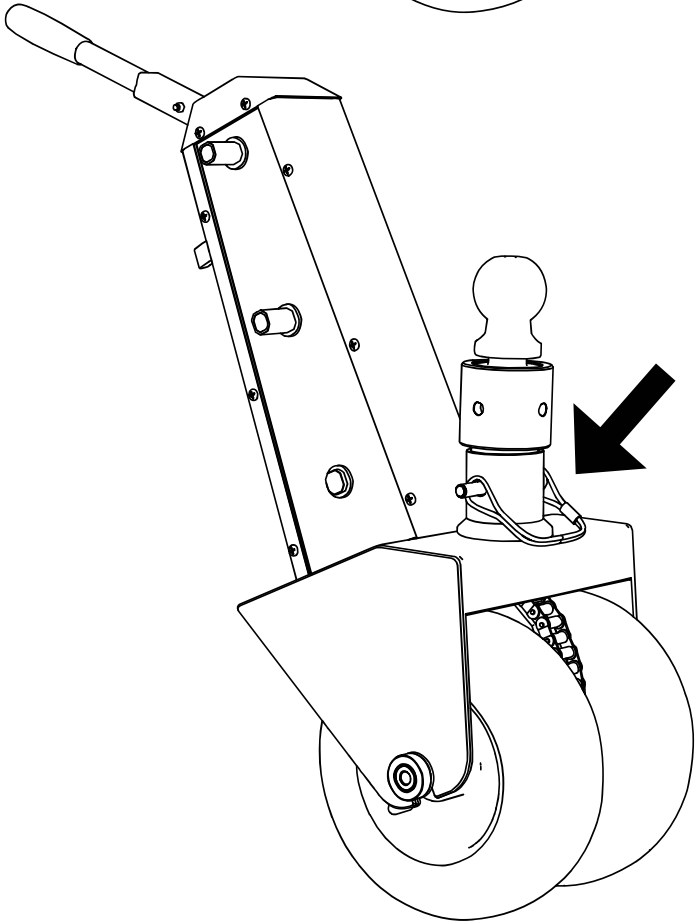
---

ASSEMBLY

①



②



# OPERATING INSTRUCTIONS

Knowing the proper dollying techniques can help keep you and others around you safe. In this guide, you are shown the basic fundamentals for effective dollying. However, it is up to you to analyze the situation and make the decisions necessary for the proper use of your Trailer Valet. Apply your knowledge of your Trailer Valet and the basic fundamentals you have practiced to adjust your techniques to each unique situation.

## Getting Started

1) Things you will need to operate your Trailer Valet:

- All operating instructions
- Trailer Valet
- Ball Attachment
- Crank Handle or Drill Socket

*Items sold separately:*

- Standard Drill/Driver (minimum drive torque 20 ft. lbs. - 4 N-m)

SCAN THIS QR CODE to see a video on what to expect when unboxing your Trailer Valet!



2) Upon removing the dolly from packaging, it is very important to thoroughly inspect all parts of the system before using the device. Any part that is missing or damaged must be immediately replaced. Contact Trailer Valet Customer Service at 1-626-400-6299.

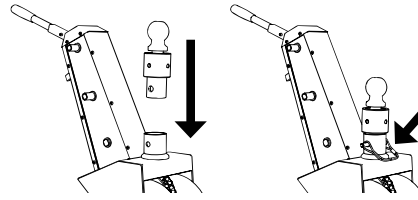
**⚠ WARNING** Only use the ball included in the box when operating the device.

**⚠ WARNING** Tires must be above 75 psi (pounds per square inch) prior to use. Do not use the device if the tires are damaged due to its failure to hold air. Check tire pressure before using the Trailer Valet for the first time, since air pressure might have been lost in transit.

### Step 1: REMOVE THE TRAILER VALET FROM THE BOX AND INSTALL THE BALL ATTACHMENT.

1) Remove the Trailer Valet, the Ball Attachment, and the Tightening Tool from the box.

2) Place the Ball Attachment in the rotating coupler and secure using the rotation pin.



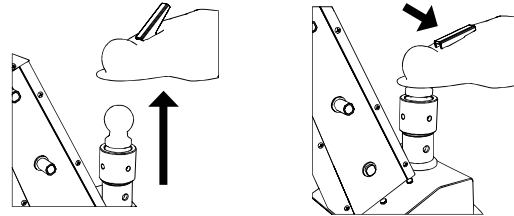
### Step 2: ADJUSTING THE TRAILER HEIGHT

1) Raise the trailer tongue to where the coupler is about 14 inches off the ground (the same height of the ball when the Trailer Valet is upright).

### Step 3: ATTACHING THE BALL TO THE COUPLER

**⚠ WARNING** The steering handle must be secured to the safety clip to ensure the brake is engaged at all times.

1) Slide the Trailer Valet directly under the coupler.  
2) Slip the ball into the coupler and lock the ball with the coupler latch.



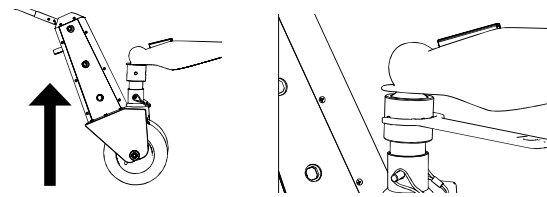
*NOTE: Similar to attaching the trailer to your hitch, you may need to adjust the position of the ball for it to lock tightly to the coupler.*

3) Raise the trailer slightly so that the device hangs from the coupler and the wheels on the Trailer Valet are above ground. This will enable you to tighten the locking nut.

**⚠ WARNING** Failure to tighten the locking nut against the coupler will cause the ball to slip out of the coupler, and the trailer tongue to fall to the ground upon use.

4) Using the Tightening Tool, turn the locking nut counter clockwise until the nut is secured flat against the coupler.

*NOTE: To ensure that the locking nut is securely fastened to the coupler, rock the device in all directions and continue tightening until there is no movement by the device and the locking nut remains flat against the coupler.*



---

# OPERATING INSTRUCTIONS

## Step 4: TESTING THE ASSEMBLY

**⚠ WARNING** Always ensure the operator and bystanders are aware of the stability of the load.

- 1) Lower the trailer gradually until the existing jack is above ground and the trailer is completely supported by the Trailer Valet.

*NOTE: Keeping the trailer jack close to the ground prevents serious damages from occurring due to unexpected failures.*

*NOTE: If the tires on the Trailer Valet seem too deflated and unable to hold the weight, lower the jack and remove the device to check air pressure.*

SCAN THIS QR CODE to see a video showing Steps 2 through 4 if you need a visual guide to install your Trailer Valet.



## Step 5: ATTACHING DRIVER

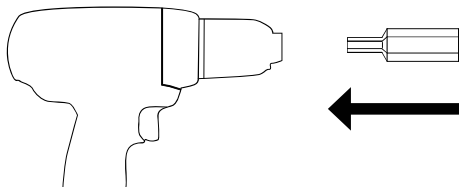
*Option 1: Manual Operation with the Drive Handle*

- 1) Attach the drive handle to the low or medium gear driveshaft.

*Option 2: Using the Drill Socket*

**⚠ WARNING** If you are using a cordless drill, be sure your battery pack is fully charged before use. Follow your drill/driver manufacturer's recommendations.

- 1) Using the chuck of your drill/driver, connect to the drill socket



- 2) Secure the chuck of your drill around the drill socket tightly to avoid the socket slipping off the drill.

**⚠ WARNING** Always tighten the drill to the drill socket. The drill can loosen and cause injury.

- 3) If using a corded drill/driver, verify that the power cords and extension cords are placed so that the tires on the Trailer Valet or moving vehicle will not damage the cords or that the cords cannot be stepped on, tripped over, or otherwise subjected to damage.

- 4) Align and insert the drill socket to the low gear driveshaft.

SCAN THIS QR CODE to see a video on how to use your drill attachment to move your Trailer Valet!



## Step 6: OPERATING THE DEVICE

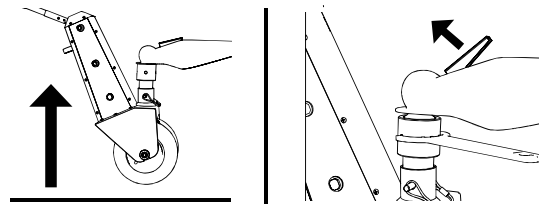
**⚠ WARNING** Hold the drill/driver firmly when engaging. The drill will have high initial torque.

- 1) When you're getting ready to operate the device, make sure you have one hand firmly gripped on the brake, and the other hand firmly gripped on the drill/driver.
- 2) Slowly lift the steering handle until the brake is disengaged and start cranking.

*NOTE: It is important that you steer the device only when you are cranking and the trailer is moving. Attempting to turn the steering handle at a dead stop will cause the gears to fall out of alignment.*

## Step 7: REMOVING THE DEVICE

- 1) Remove the drill/driver handle.
- 2) Lower the jack until the Trailer Valet is above the ground.
- 3) Loosen the lock nut and release the latch on the coupler.



SCAN THIS QR CODE to see a video on how to detach your Trailer Valet.

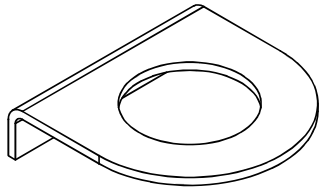




---

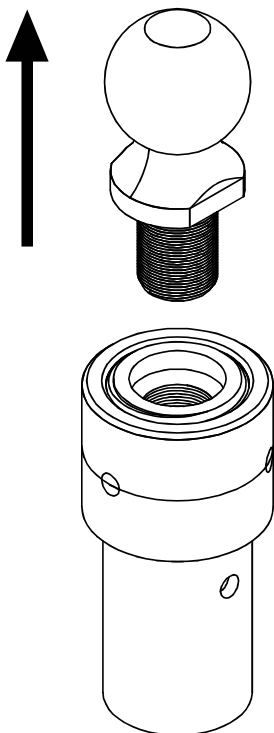
# OPERATING INSTRUCTIONS

## Using the Coupling Plate

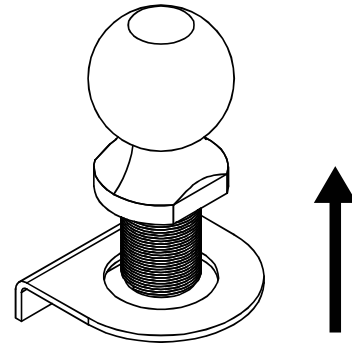


Your Trailer Valet comes with a coupling plate that, when installed correctly, can keep the locking nut of the XL flush with the coupler, which in turn reduces the possibility of damage on the coupler should the XL pivot due to excess horizontal force.

### Step 1: DETACH THE BALL FROM THE LOCKING NUT

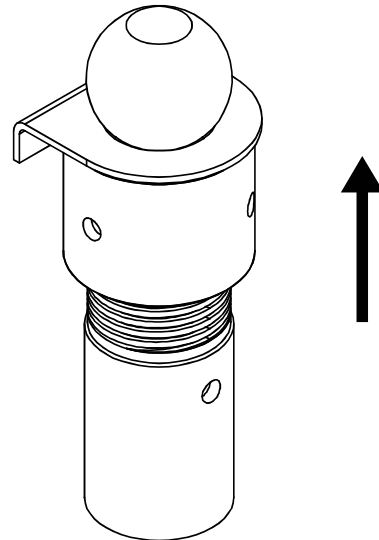


### Step 2: INSERT THE PLATE



Slip the plate under the ball and over the threads as shown. The hole of the plate should allow the ball to nest inside it.

### Step 3: RE-INSERT INTO THE LOCKING NUT



With the plate just underneath the ball, screw in place the ball into the locking nut. Re-attach the locking nut to the Trailer Valet and secure it with the cotter pin, if you have not done so. Then follow Step 3 in the "Getting Started" section to lift the locking nut and attach the ball to the coupler.

---

# WARRANTY

**One-Year Warranty ("Warranty").** SuperTech S. Corp. ("We" or "Us") warrants to the original consumer purchaser only ("You") that the product will be free from material defects in both material and workmanship, ordinary wear and tear excepted, provided that installation and use of the product is in accordance with product instructions. There are no other warranties, expressed or implied, including the warranty of merchantability or fitness for a particular purpose. This warranty is not transferable.

SuperTech's obligation under the above warranty is limited to repairs or replacement parts of the SuperTech Product, at its option due to a manufacturing defect of the Product. SuperTech shall not be liable for the loss of or use of vehicles, loss of or damage to personal property, expenses such as telephone, lodging, gasoline, towing, tire damage or any other incidental or consequential damages incurred by the Purchaser, or any other person or entity.

SuperTech will examine the Product. If SuperTech, in its exclusive discretion, determines that the defect or damaged Product is covered under this limited warranty, SuperTech will replace any defects of the Product or replace the Product at any time.

**Limitations on the Warranty.** This Warranty does not cover: (a) normal wear and tear; (b) damage through abuse, neglect, misuse, natural events, contingencies beyond Our control or as a result of any accident; (c) damage from misapplication, overloading or improper installation; (d) improper maintenance and repair; (e) damage as a result from the shipping and handling by third-party vendors; and (f) product alteration in any manner by anyone other than Us, with the sole exception of alterations made pursuant to product instructions and in a workmanlike manner.

**Obligations of Purchaser.** To make a Warranty claim, contact Us by mail or in person at 2368 Peck Road, City of Industry, CA 90601 or 1-626-400-6299, identify the product by model number and follow the claim instructions that will be provided. If it is necessary to ship the Product to Us, you may either (1) pay for your own shipping, or (2) include a request to mail You a shipping label as part of Your claim. Any returned product replaced by Us becomes our property. Please retain Your purchase receipt to verify date of purchase and that You are the original consumer purchaser. The Product and a copy of the purchase receipt must be provided to Us in order to process Your Warranty claim.

**Refund Policy.** If you purchased the product through us and wish to return the Product for a refund, contact Us, provide a reason for your return and follow the instructions that will be provided. We will inspect the Product and, if it is in an acceptable condition, process a refund minus a 15 percent re-stocking fee. If you purchased the Product through a third-party vendor, your actions are subject to the policies of the vendor; contact the vendor for further information.

**Remedy Limits.** Product replacement is Your sole remedy under this Warranty. We shall not be liable for service or labor charges incurred in removing or replacing a product or any incidental or consequential damages of any kind.

**Assumption of Risk.** You acknowledge and agree that the use of the product for any purpose other than the specified use(s) stated in the product instructions is at Your own risk.

**Governing Law.** This Warranty gives You specific legal rights, and You also may have other rights which vary from state to state. This Warranty is governed by the laws of the State of California, without regard to rules pertaining to conflicts of law. The state courts located in California shall have exclusive jurisdiction for any disputes relating to this Warranty.

---

## MAINTENANCE

Check	Before First Operation	Before Each Use	Every 90 Days
Take the time to read and understand these operating instructions in order to understand your Trailer Valet and its operations	×		
Read and understand your drill/driver operator's manual and instructions.	×		
Inspect the Trailer Valet for damage. Replace any damaged parts immediately. If a part must be replaced, contact Trailer Valet Customer Service at 1-626-400-6299.	×	×	
If you plan to keep the device attached to the trailer after each use, you must check the locking nut to ensure it stays fastened tightly against the trailer tongue and that the nut is flat against the coupler.		×	
Keep device free from contaminants. Use the cleaning towel provided to remove any dirt and debris.		×	
Check the tires so that they are inflated no more than 85psi. (If the tires are underinflated, tire failure will result.)		×	×
Apply multipurpose grease to the chain by removing the front cover of the device.			×

### Additional Tips

- The Trailer Valet is made of high strength steel and given a powder coat finish made to resist corrosion. However, if the device is used in a marine environment or where road salt is encountered, rinse off the interior and exterior with fresh water and allow to dry. DO NOT SUBMERGE THE TRAILER VALET IN WATER, as this can damage the gears and erode lubricants.
- After each use, wipe exterior surfaces with a clean cloth.

---

Copyright 2015 by SuperTech S. Corporation. All rights reserved. No portion of this manual or any artwork contained herein may be reproduced in any shape or form without the express written consent of SuperTech S. Corporation.

For further information or if you have any questions, please contact:

SUPERTECH S. CORP.  
2368 Peck Road  
Industry, CA 90601  
Customer Service: 1-626-400-6299  
Email: [support@trailervalet.com](mailto:support@trailervalet.com)  
or visit: [www.TrailerValet.com](http://www.TrailerValet.com)