



Fitting Instructions

Fitting Kit Part No	FW2050
Vehicle Details	Ford Ranger
Model Yr / Variants	Nov 2011-ON / Tub Variants

IMPORTANT

- Use of this rail kit and associated equipment may require the removal of sports bars and other accessories from the vehicle. **Check with the vehicle owner PRIOR to installation.**
- Note that the tow rating of this product (refer to the Product Rating Label) may be higher than the maximum tow rating of the vehicle variant, as specified in the vehicle handbook. If in doubt, check with the vehicle manufacturer. **The lower value will be the tow rating.**
- To comply with local regulations, an Engineers Certificate may be required following installation of this product. Please check with the Vehicle Regulating Authority for your state or Territory.

Fitting Notes

- **Please pass these fitting instructions to the vehicle owner/user.**
- Check the contents of the kit and read all instructions before attempting to fit this product.
- Check the suitability of the kit before commencing installation. Be wary of any changes to vehicle designs or other accessories that may conflict with the installation of this product.
- Do not drill, cut, weld or otherwise modify the rail kit.
- Ensure all fasteners are tightened to the specified torque and re-check them periodically.
- To achieve the specified rating, high tensile fasteners are supplied with this product. If replacements are required, ensure that fasteners of the same grade are used.
- Affix the Product Rating Label in a conspicuous position on the vehicle B Pillar after installation.
- Failure to comply with these instructions and warnings may lead to a dangerous and/or illegal installation and may invalidate the product warranty.
- If you have any questions, please contact the Hayman Reese Customer Care Centre.

INSTALLATION INSTRUCTIONS
5th WHEELER FITTING KIT - Ford Ranger (Nov '11 On)
ACCESSORY PART NUMBER: FW2050

PLACE THESE INSTRUCTIONS IN VEHICLE'S GLOVEBOX AFTER INSTALLATION IS COMPLETED

Check contents of kit before commencing and report any discrepancies

ITEM NO.	DESCRIPTION	QTY.
1	Bracket 1	1
2	Bracket 4	1
3	Baserail	2
4	Cross Tube	2
5	Bracket 6 Assy	1
6	Bracket 3 Assy	1
7	Bracket 9 Assy	1
8	Bracket 8	1
9	Bracket 5	1
10	U-bolt M12 65DIAM Internal Z/plate	3
11	Crush Tube 17.2 O.D. x 2.3 x 73mm	12
12	Crush Tube 16 O.D. x 1.6 x 60mm	6
13	WASHER M12x28.8x3mm	34
14	M12 x 1.75P WHIZZ NUT	25
15	M12 x110 bolt	12
16	Coach Bolt 1/2 x 2 1/2 UNC Grade 5.8	9
17	M10 x 30 1.5P BOLT 10.9 GRADE	2
18	Washer Flat M10 x 23 x 2 z/p	2
19	Conical Washer 1/2"	9
20	NUT, HEX 1/2-13 UNC	9
21	BOLT M12-1.75x100 GR8.8	2
22	Bolt M12X60X1.75 Gr8.8	1
23	M12 x 90 x 1.75 BOLT	4
24	Bracket 7 Assy	1
25	Bracket 2	1
26	Bracket 10	1
27	Bracket 11	1
28	Spacer Tube 15mm	8
29	Spacer tube 25mm	2
30	BOLT M12-1.75x35 GR10.9	4
31	Trailer Patch	1

Towing capacity:

Maximum Pin Weight: 800 kg
Maximum Rated Capacity: 3500 kg

Installation Time: Approx. 4 hours

Tools required:

- Drill with Ø25 Hole Saw or Step Drill
- File
- Safety glasses
- Metric & Imperial sockets & spanners
- Torque wrench
- Centre Punch
- Hammer
- M12x1.75p Tap

Care Instructions:

Wash with regular car wash products.
Regularly check bolt tensions.

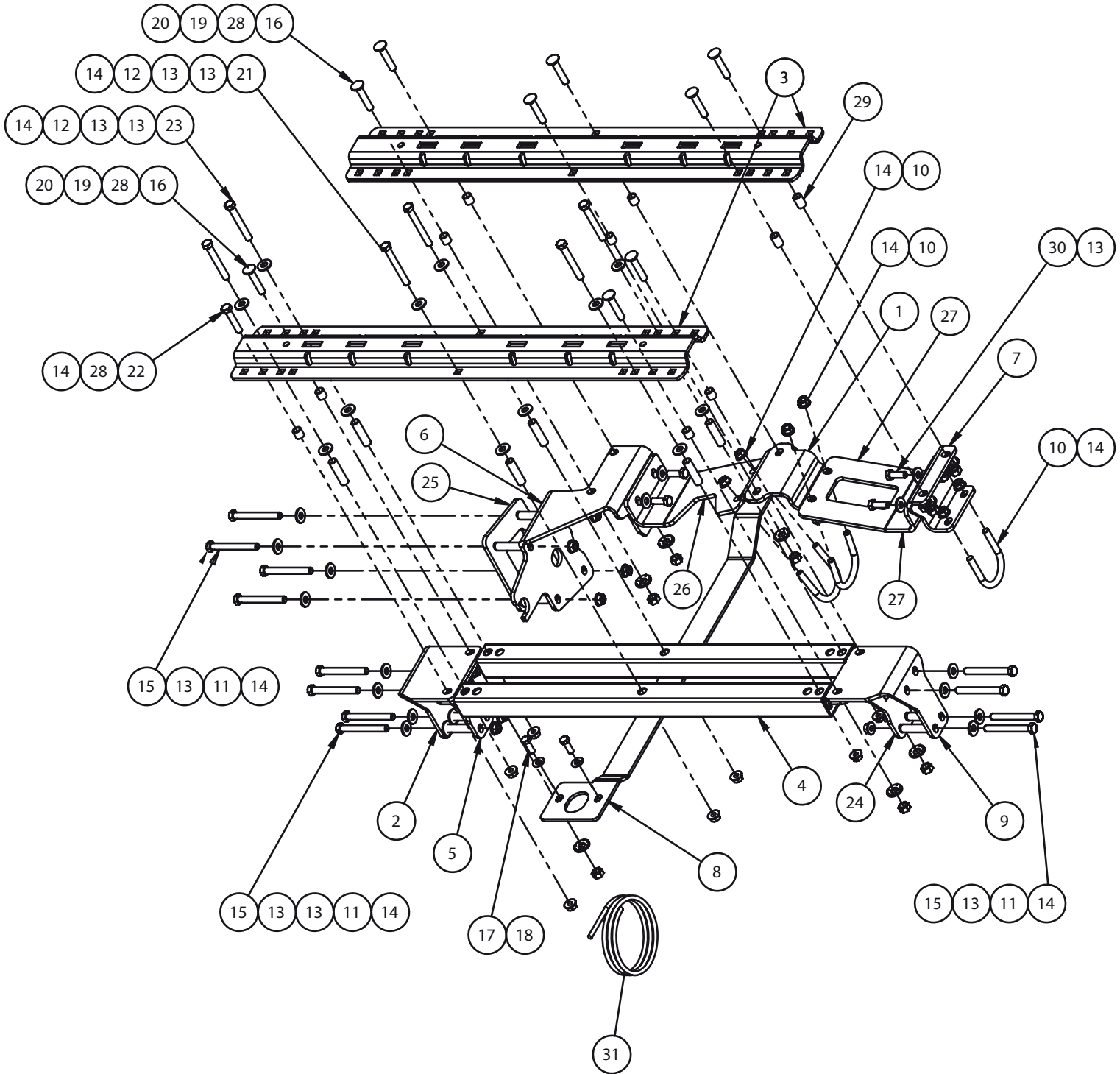
Caution:

This kit weighs in excess of 20Kg

NOTE: Two Person Installation

PLEASE REFER TO LAYOUT DIAGRAM ON PAGE 2 FOR DETAILED VIEW OF KIT

INSTALLATION INSTRUCTIONS
5th WHEELER FITTING KIT - Ford Ranger (Nov '11 On)
ACCESSORY PART NUMBER: FW2050



INSTALLATION INSTRUCTIONS
5th WHEELER FITTING KIT - Ford Ranger (Nov '11 On)
ACCESSORY PART NUMBER: FW2050

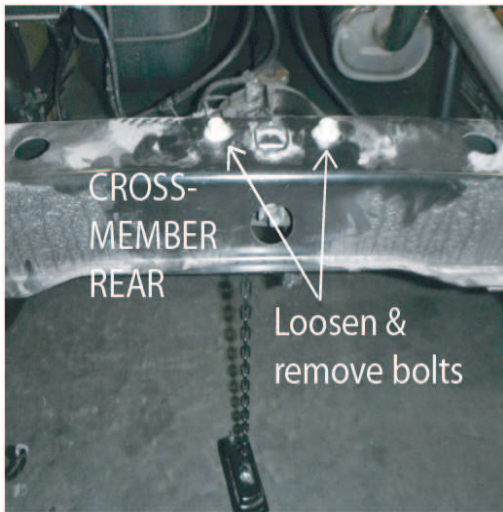


FIGURE 1

Check contents of kit before commencing fitment.

The following instructions should be used to mount the fifth wheel. Care and attention to detail will ensure a quick quality installation.

WARNING!

If the vehicle is raised, ensure the vehicle is properly blocked and restrained to prevent risk of serious injury.

CAUTION!

Always check for obstructions before drilling.

1. Remove spare wheel and spare wheel winch (loosen two bolts). (Refer Figure 1.)
2. Do not install mounting rails over plastic bed liners. Plastic bed liners must be cut out of the way. Base rails may be installed on spray in bed liner. NOTE: Consult installer for recommended curing time.
3. **Remove Sports Bar from vehicle if any.**
4. Only use fasteners supplied with this kit.

5. Position bracket shown in Figure 2 in between tub and rear cross member carefully aligning slot holes in bottom plate of bracket with holes in rear cross member. Fasten bracket to cross member using 2x M10 bolts & washers supplied with kit. Take care to ensure bracket is not at an angle whilst fastening.

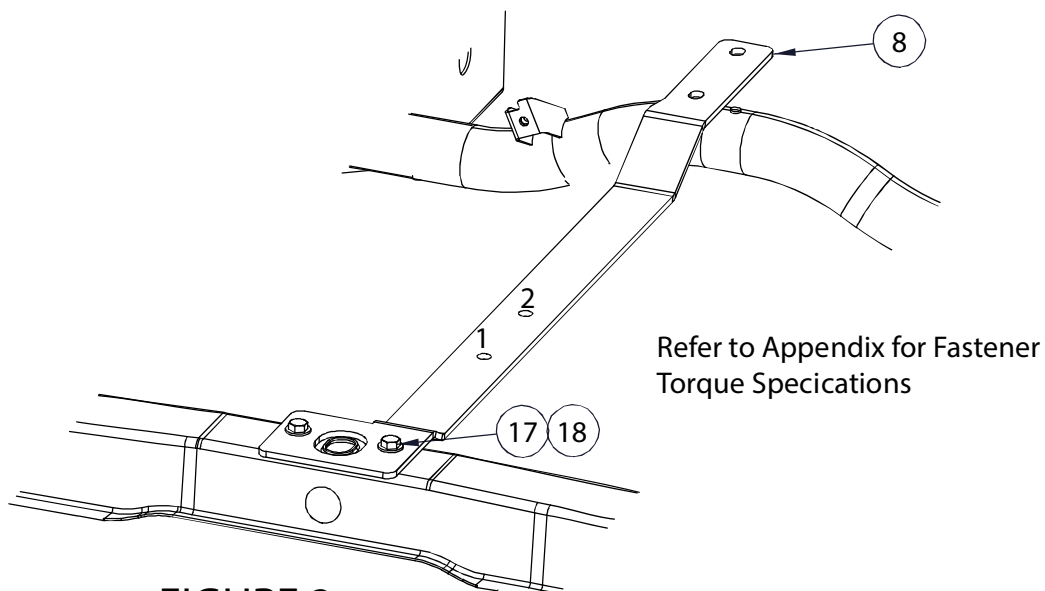
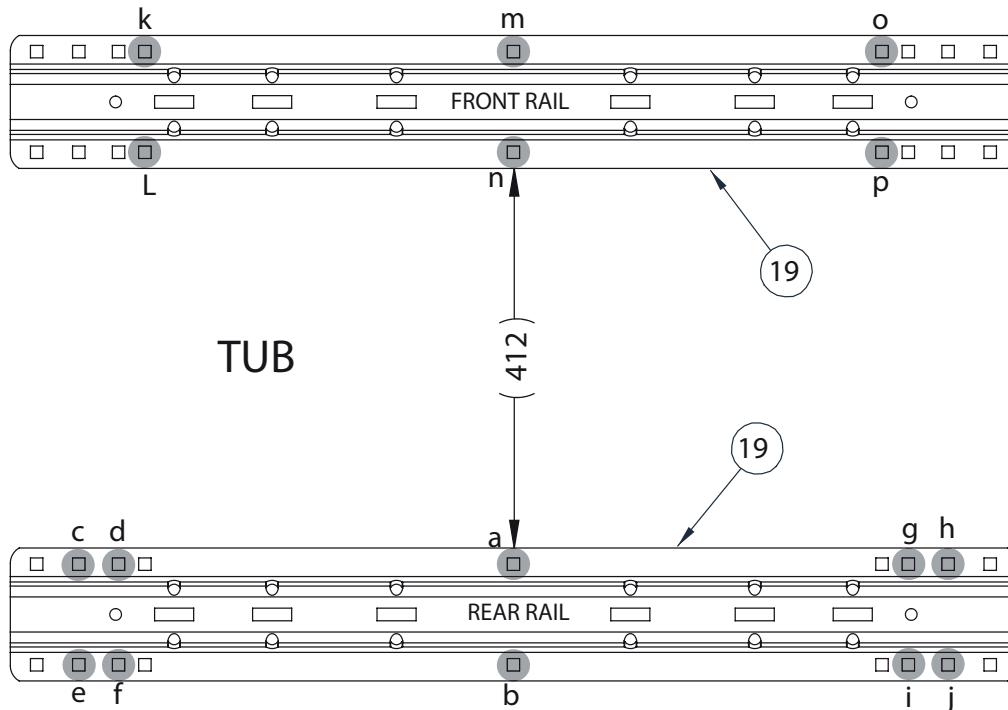


FIGURE 2

6. Looking directly underneath tub, mark two points on underside of tub projected vertically from holes 1 & 2 as shown in Figure 2. Hole-Saw 2x 25mm holes at marked locations (remove bracket before drilling). Fasten bracket back to cross member using the 2x M10 bolts & washers.

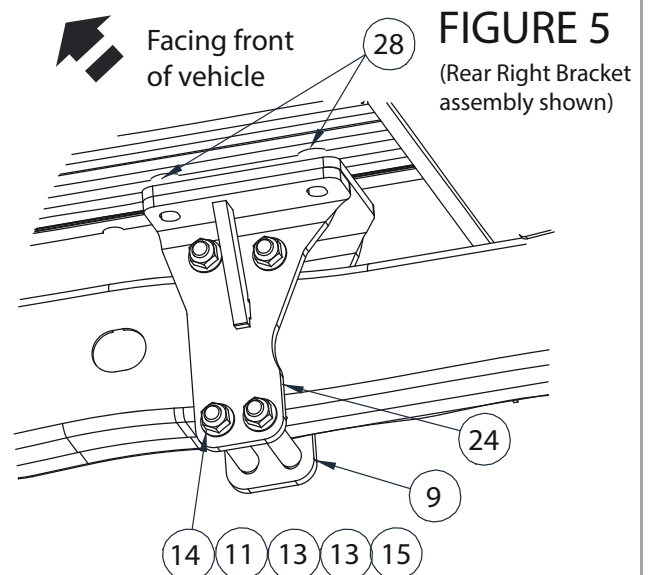
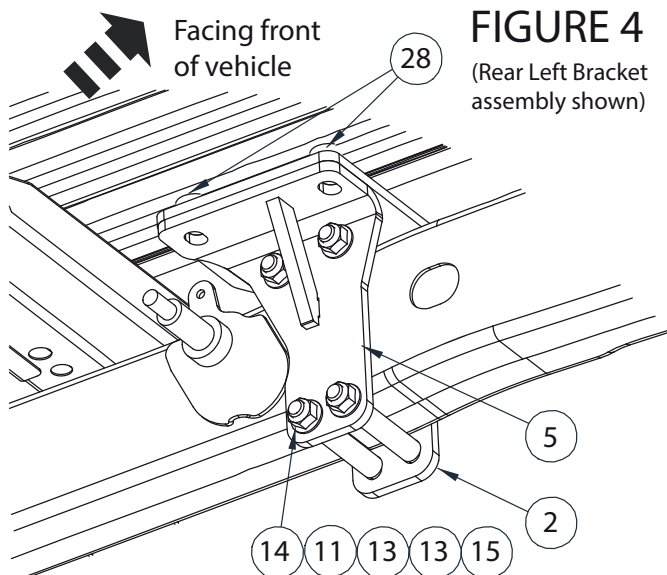
INSTALLATION INSTRUCTIONS
 5th WHEELER FITTING KIT - Ford Ranger (Nov '11 On)
 ACCESSORY PART NUMBER: FW2050

FIGURE 3



7. Looking directly above tub, place 2x baserails (common) on top of tub as shown in Figure 3 aligning holes drilled in Step 6 with holes in rear baserail marked 'a' & 'b'. Front Rail should sit directly in front of Rear Rail by specified distance. Fit 5th wheel legs to the rails to ensure the rails are square prior to marking and drilling.

8. Using baserails as template, mark centre positions of 14x holes marked 'c' through to 'p' onto tub. Hole saw 14x 25mm holes at marked locations.



INSTALLATION INSTRUCTIONS
5th WHEELER FITTING KIT - Ford Ranger (Nov '11 On)
ACCESSORY PART NUMBER: FW2050

9. Arrange components as shown in Figure 4 ensuring top holes from bracket align with holes drilled in tub marked 'c' & 'e' as per Figure 3. Note the 2x spacers (item 28) that sit between bracket 2 and baserail. Fasten assembly using fasteners specified (x4). (See Page 2)

10. Arrange components as shown in Figure 5 ensuring top holes from bracket align with holes drilled in tub marked 'h' & 'j' as per Figure 3. Note the 2x spacers (item 28) that sit between bracket 9 and baserail. Fasten assembly using fasteners specified (x4). (See Page 2)

Refer to Appendix for Fastener
Torque Specifications

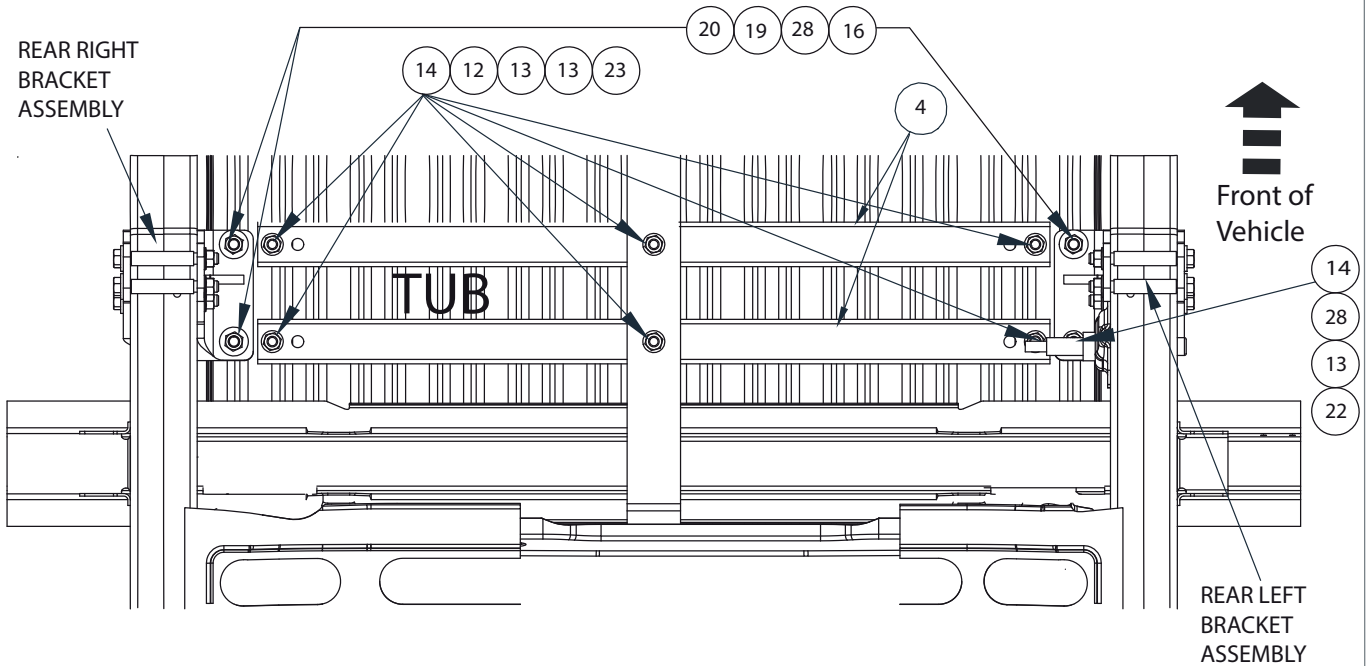


FIGURE 6

11. Looking directly beneath tub, place cross tubes (item 4) in position shown in Figure 6 with (6x)60mm crush tubes (item 12) sitting inside cross tubes as shown in Figure 7.

12. Fasten assembly together using fasteners outlined in Figure 6 following the correct fastener sequence as specified.

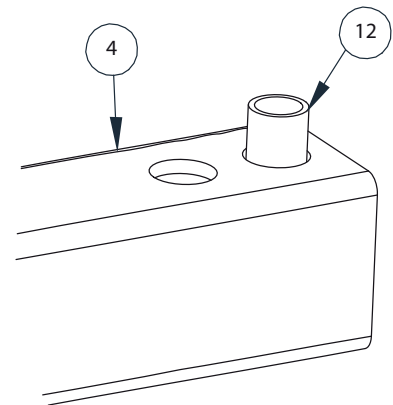
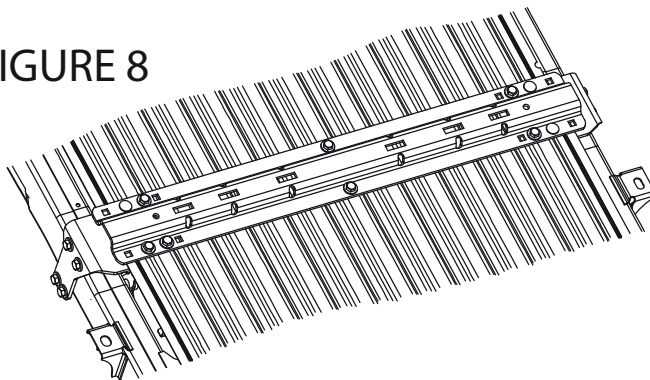


FIGURE 7

FIGURE 8



Refer to Appendix for Fastener
Torque Specifications

INSTALLATION INSTRUCTIONS
5th WHEELER FITTING KIT - Ford Ranger (Nov '11 On)
ACCESSORY PART NUMBER: FW2050

13. Move aside brake-line bracket (2 bolts)

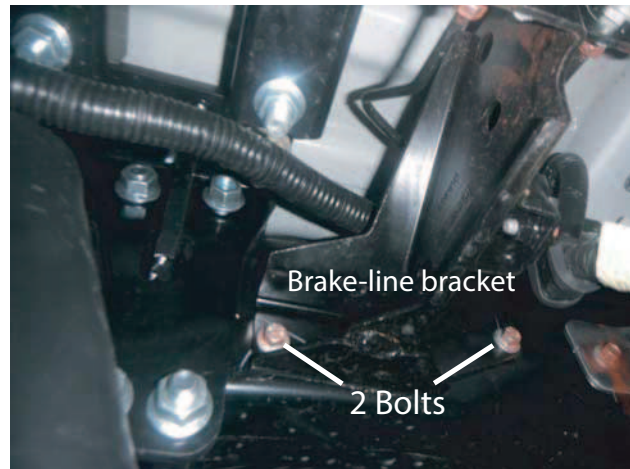


FIGURE 9

14. Un-clip brake line connector from tab

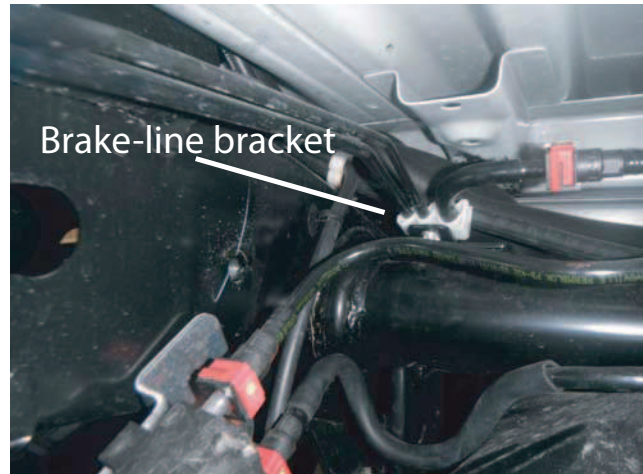


FIGURE 10

15. Move aside fuel cooler (2 bolts)

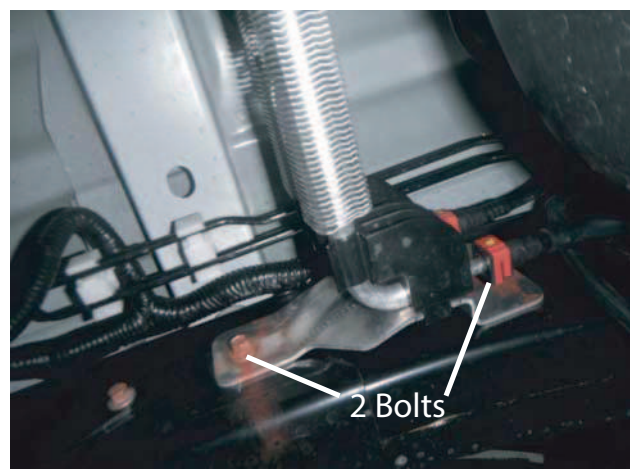


FIGURE 11

INSTALLATION INSTRUCTIONS
5th WHEELER FITTING KIT - Ford Ranger (Nov '11 On)
ACCESSORY PART NUMBER: FW2050

FIGURE 12a
 (Front bracket assembly)

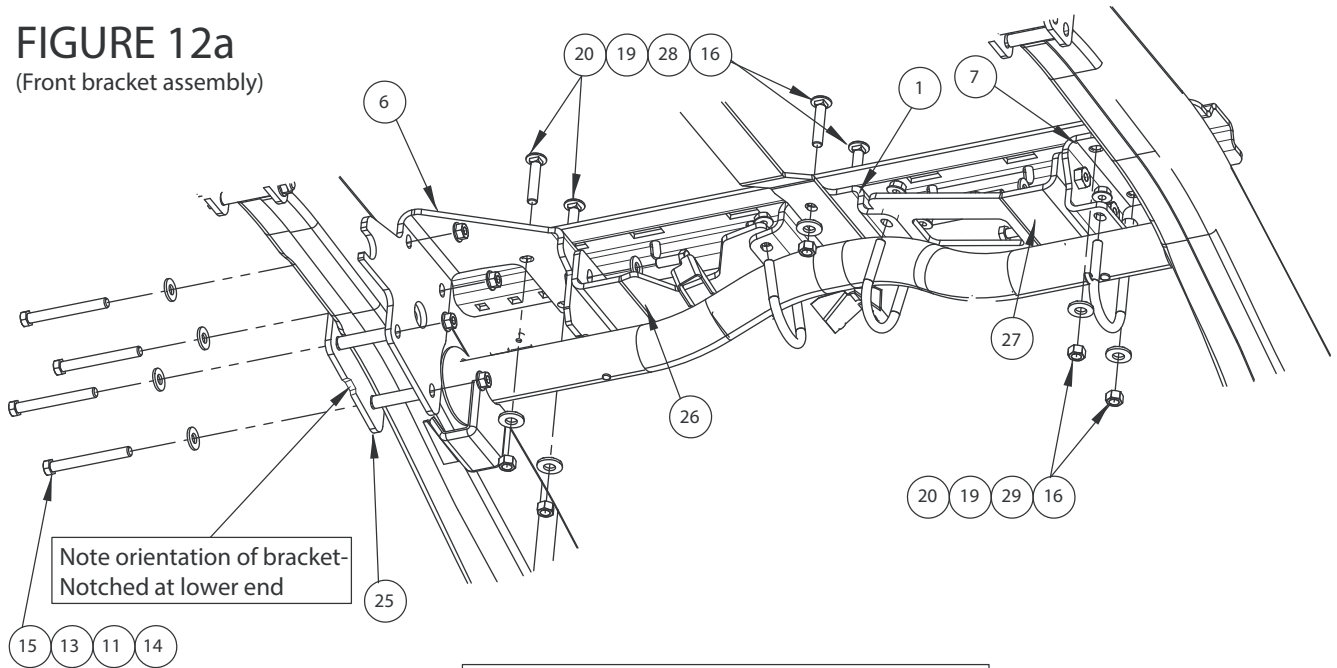
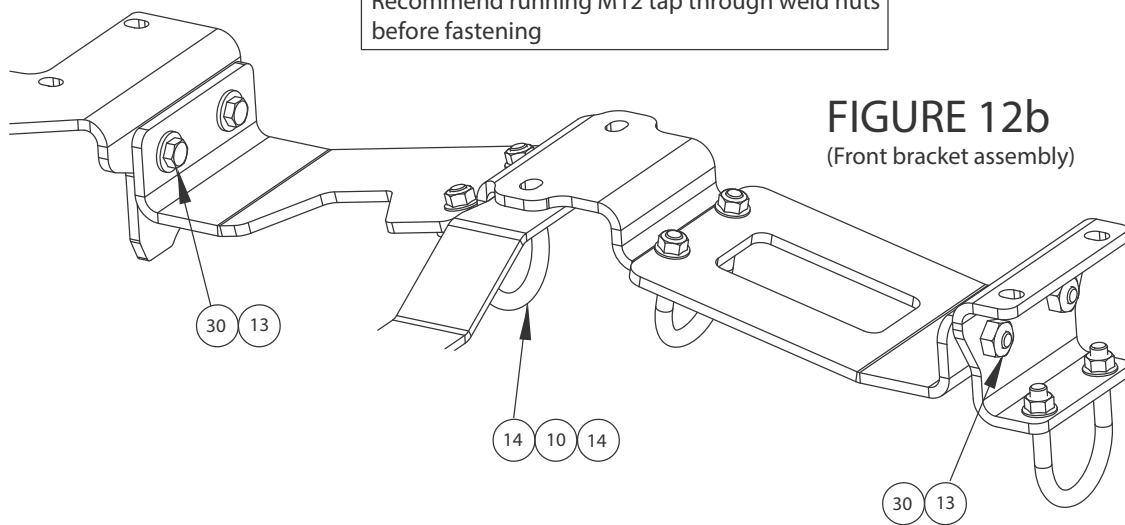


FIGURE 12b
 (Front bracket assembly)



16. Arrange components as shown in Figure 12a & 12b ensuring top holes from brackets (Items 1, 6 & 7 align with holes drilled in tub marked 'k' through to 'p' as per Figure 3. Note the 2x spacers (item 28) that sit between brackets 1, 6 and baserail and 2x spacers (item 29) that sit between bracket 7 and baserail. Fasten bracket assembly using fasteners specified.
17. Reverse STEPS 13, 14 & 15 to fix brake-line bracket and fuel cooler back to vehicle (refer to vehicle manufacturer's workshop manual for correct torque specification)
18. Fit spare wheel back on vehicle.

Refer to Appendix for Fastener
 Torque Specifications

INSTALLATION INSTRUCTIONS
5th WHEELER FITTING KIT - Ford Ranger (Nov '11 On)
ACCESSORY PART NUMBER: FW2050

APPENDIX - FASTENER TORQUE SPECIFICATIONS

Bolt Description	Item No.	Torque (Nm)
1/2" UNC Nut	20	49
M10x1.5x30 bolt	16	49
M12x1.75 WHIZZ NUT	14	85
M8 bolts STEP 17	N/A	20

HAYMAN REESE
PART No: 100713-WL
FORD RANGER/MAZDA BT-50

INSTALLATION INSTRUCTIONS

PLEASE ENSURE THAT INSTRUCTIONS UNDERSTOOD PRIOR TO FITMENT

Wiring Loom Installation Instructions

**FORD RANGER /
MAZDA BT-50**
Part No: 100713-WL

Tail Harness Length Require: 1800mm

If factory OEM RPA is fitted, Trouble Code will be logged if disabled.

Wiring Loom Installation Time: Approx. 20 Mins

Issue Date 14-11-11

Page 1

Part No: 100713-WL

Hayman Reese (Cequent)
PO Box 4050, Dandenong South VIC 3164
Phone 1800 812 017 Email info@haymanreese.com.au

www.haymanreese.com.au



HAYMAN REESE
PART No: 100713-WL
FORD RANGER/MAZDA BT-50

INSTALLATION INSTRUCTIONS

PLEASE ENSURE THAT INSTRUCTIONS UNDERSTOOD PRIOR TO FITMENT

1. In the engine bay, connect the supplied power harness (P/No: 04825) ring terminal (1) to the positive battery.
2. Route the power harness (2) down towards the LHS of the vehicle under carriage.

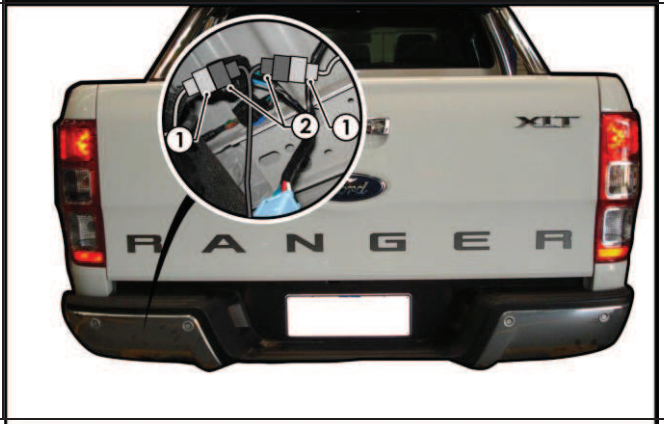


3. From underneath the vehicle, route the power harness (1) along the LHS of the chassis rail towards the rear of the vehicle.
4. Ensure that the power harness is secured with cable ties (Not supplied).

Note: When routing any harnesses underneath the vehicle, ensure to avoid all moving parts, sources of heat and sharp objects.



5. On the LHS rear under carriage, locate and disconnect the 6-way taillight connectors (1) and connect the 6-way trailer patch (P/No: 100713-WL) (2) in between.



Issue Date 14-11-11

Page 2

Part No: 100713-WL

Hayman Reese (Cequent)
PO Box 4050, Dandenong South VIC 3164
Phone 1800 812 017 Email info@haymanreese.com.au

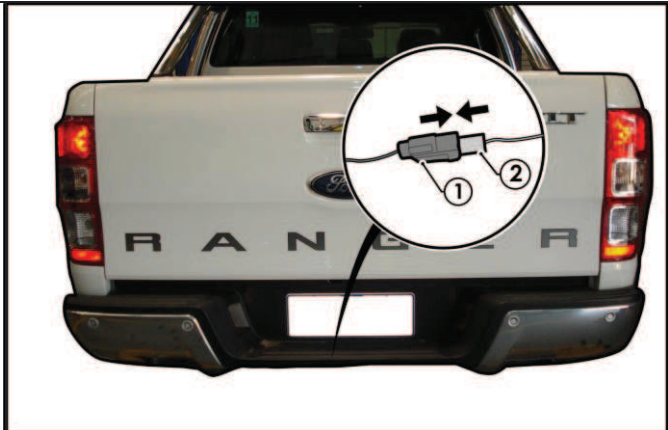
www.haymanreese.com.au



HAYMAN REESE
PART No: 100713-WL
FORD RANGER/MAZDA BT-50
INSTALLATION INSTRUCTIONS

PLEASE ENSURE THAT INSTRUCTIONS UNDERSTOOD PRIOR TO FITMENT

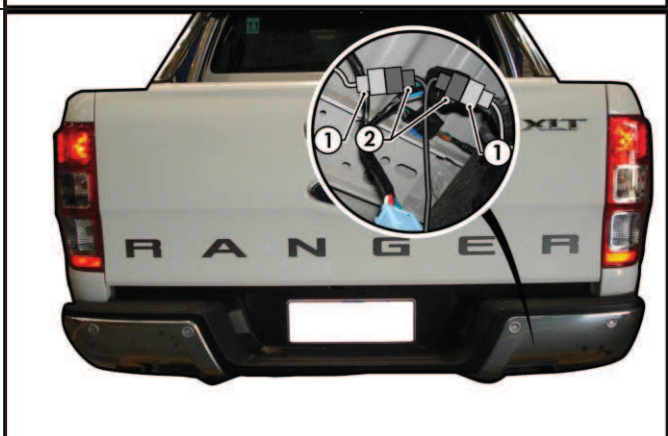
6. Connect the power harness 1-way male connector (1) to the power harness 1-way female connector (2).



7. Route the trailer harness along the rear of the vehicle across to the RHS taillight connectors.



8. On the RHS of the rear under carriage, disconnect the 6-way taillight connectors (1) and connect the 6-way trailer patch connectors (2) in between.



Issue Date 14-11-11

Page 3

Part No: 100713-WL

Hayman Reese (Cequent)
PO Box 4050, Dandenong South VIC 3164
Phone 1800 812 017 Email info@haymanreese.com.au

www.haymanreese.com.au



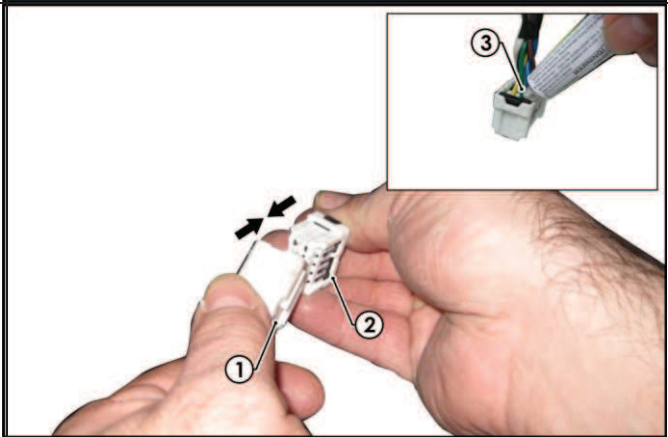
HAYMAN REESE
PART No: 100713-WL
FORD RANGER/MAZDA BT-50
INSTALLATION INSTRUCTIONS

PLEASE ENSURE THAT INSTRUCTIONS UNDERSTOOD PRIOR TO FITMENT

9. Mount the Tail Harness socket (1) towbar mounting bracket using M4 fasteners (not supplied).
10. Route the tail harness (tail length 1800mm)(2) along the towbar towards the trailer patch.



11. Connect the trailer harness 8-way connector (1) to the tail light harness mating connector (2).
12. Waterproof the connectors using electrical grease (3) or silicone.



13. Test Trailer Harness function using trailer light board or multimeter.
14. Secure all harnesses using cable ties (not supplied).
15. Refit all removed parts and secure all fasteners ensuring there are no squeaks or rattles.
16. Please place the fitting instructions in the glove box after installation.

Issue Date 14-11-11

Page 4

Part No: 100713-WL

Hayman Reese (Cequent)
PO Box 4050, Dandenong South VIC 3164
Phone 1800 812 017 Email info@haymanreese.com.au

www.haymanreese.com.au

