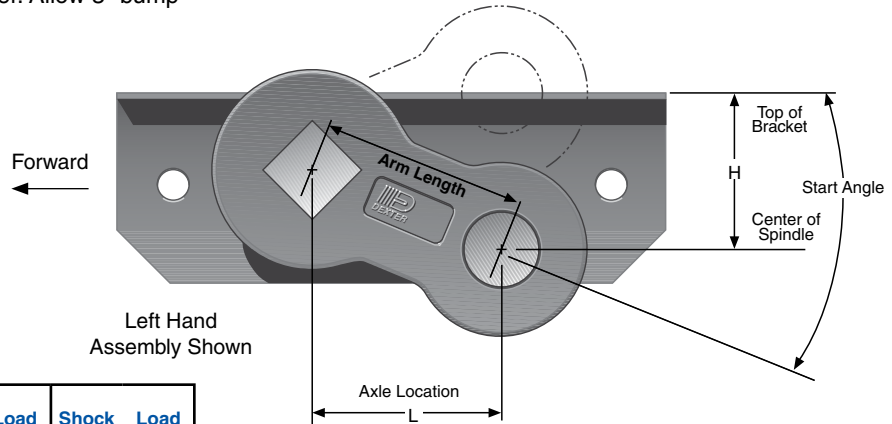




Articulation Dimensions

Dimensions are for low profile, top mount only. Side mount is .18" higher. Allow 3" bump clearance from full load.



Start Angle	Bracket Profile	No Load		Full Load		Shock Load	
		H	L	H	L	H	L
45° Down	Low	3.84	2.83	2.54	3.70	1.79	3.92
32° Down	Low	3.13	3.39	1.67	3.95	0.89	4.00
22.5° Down	Low	2.54	3.70	1.01	4.00	0.23	3.92
10° Down	Low	1.70	3.94	0.14	3.91	-0.60	3.66
0°	Low	1.01	4.00	-0.52	3.70	-1.21	3.33
10° Up	Low	0.32	3.94	-1.14	3.37	-1.76	2.89
22.5° Up	Low	-0.52	3.70	-1.82	2.83	-2.32	2.22

#8 Overhang Per Side

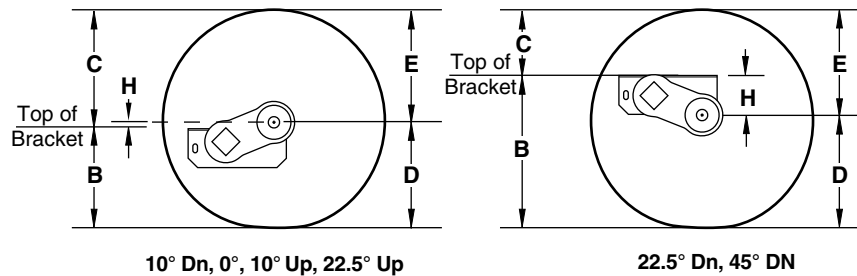
Spindle	Min.	Max.
Short	4.75"	9.04"
Standard	6.00"	9.04"

Note: Positive numbers in the H column indicate the spindle is BELOW the top of the bracket. Conversely, negative numbers are ABOVE the top of the bracket.



Full Load Dimensions

Dimensions are for low profile, top mount only. Side mount is .18" higher. Allow 3" bump clearance from full load.



Start Angle

Tire	* **		45° Down			22.5° Down			10° Down			0°			10° Up			22.5° Up		
	D	E	H	B	C	H	B	C	H	B	C	H	B	C	H	B	C	H	B	C
ST175/80R13	11.2	12.0	2.5	13.7	9.5	1.0	12.2	11.0	0.1	11.3	11.9	-0.5	10.7	12.5	-1.1	10.1	13.1	-1.8	9.4	13.8
4.80-8	7.9	8.8	2.5	10.4	6.3	1.0	8.9	7.8	0.1	8.0	8.7	-0.5	7.4	9.3	-1.1	6.8	9.9	-1.8	6.1	10.6
4.80-12	9.5	10.8	2.5	12.0	8.3	1.0	10.5	9.8	0.1	9.6	10.7	-0.5	9.0	11.3	-1.1	8.4	11.9	-1.8	7.7	12.6
20.5 x 8.0-10	9.7	10.8	2.5	12.2	8.3	1.0	10.7	9.8	0.1	9.8	10.7	-0.5	9.2	11.3	-1.1	8.6	11.9	-1.8	7.9	12.6

Columns D and E are dimensional examples only:

* D – Static Loaded Radius

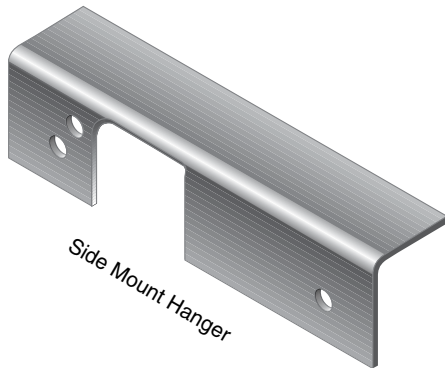
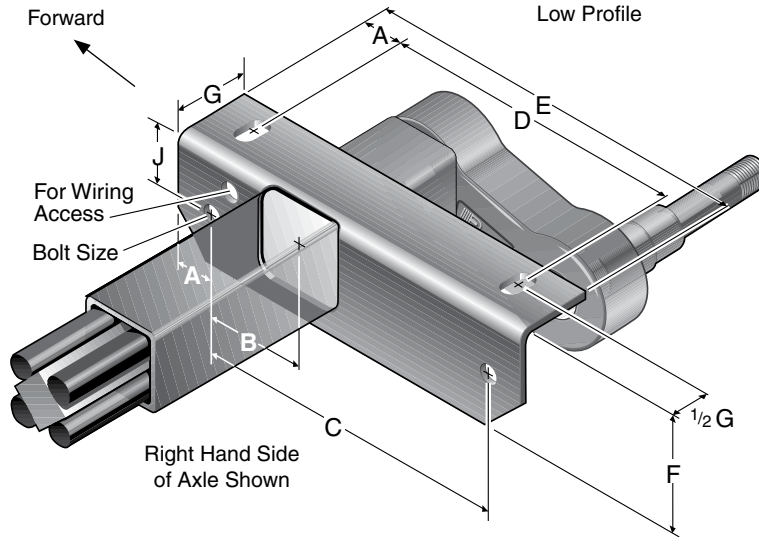
** E – Inflated Radius



600 - 1100 LBS. CAPACITY



Bracket Dimensions



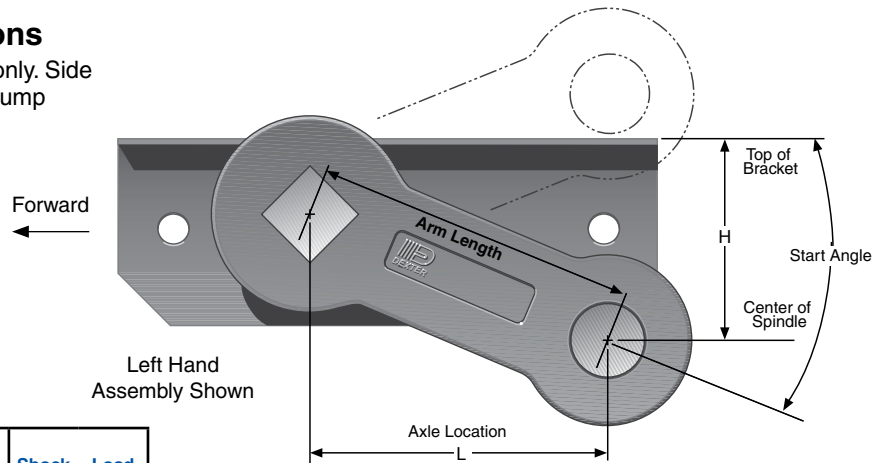
#8 Bracket Dimensions

	Low
A	1.00
B	2.38
C	8.00
D	7.75
E	10.00
F	2.88
G	2.00
J	1.57
Bolt Size	1/2" bolt
Tube Size	1.75



Articulation Dimensions

Dimensions are for top mount only. Side mount is .18" higher. Allow 3" bump clearance from full load.



Left Hand Assembly Shown

Start Angle	Bracket Profile	No Load		Full Load		Shock Load	
		H	L	H	L	H	L
45° Down	Low	5.46	4.24	3.52	5.54	2.39	5.88
	High	6.33	4.24	4.39	5.54	3.26	5.88
32° Down	Low	4.40	5.09	2.21	5.92	1.04	6.00
	High	5.27	5.09	3.08	5.92	1.91	6.00
22.5° Down	Low	3.52	5.54	1.22	6.00	0.05	5.88
	High	4.39	5.54	2.09	6.00	.92	5.88
10° Down	Low	2.26	5.91	-0.08	5.86	-1.20	5.49
	High	3.13	5.91	0.79	5.86	-0.33	5.49
0°	Low	1.22	6.00	-1.08	5.54	-2.11	4.99
	High	2.09	6.00	-0.21	5.54	-1.24	4.99
10° Up	Low	0.18	5.91	-2.00	5.06	-2.93	4.33
	High	1.05	5.91	-1.13	5.06	-2.06	4.33
22.5° Up	Low	-1.08	5.54	-3.02	4.24	-3.77	3.33
	High	-0.21	5.54	-2.15	4.24	-2.90	3.33

#9 Overhang Per Side

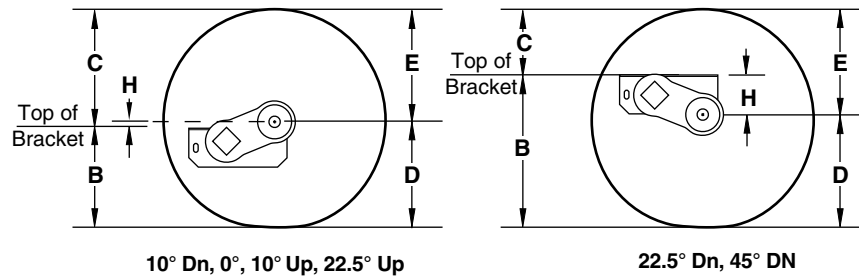
Spindle	Min.	Max.
Short	6.00"	10.90"
Standard	6.50"	10.90"

Note: Positive numbers in the H column indicate the spindle is BELOW the top of the bracket. Conversely, negative numbers are ABOVE the top of the bracket.



Full Load Dimensions

Dimensions are for low profile, top mount only. High profile brackets are .88" higher. Side mount is .18" higher. Allow 3" bump clearance from full load.



Start Angle

Tire	* D	** E	45° Down			22.5° Down			10° Down			0°			10° Up			22.5° Up		
			H	B	C	H	B	C	H	B	C	H	B	C	H	B	C			
ST175/80R13	11.2	12.0	3.5	14.7	8.5	1.2	12.4	10.8	-0.1	11.1	12.1	-1.1	10.1	13.1	-2.0	9.2	14.0	-3.0	8.2	15.0
4.80-8	7.9	8.8	3.5	11.4	5.3	1.2	9.1	7.6	-0.1	7.8	8.9	-1.1	6.8	9.9	-2.0	5.9	10.8	-3.0	4.9	11.8
4.80-12	9.5	10.8	3.5	13.0	7.3	1.2	10.7	9.6	-0.1	9.4	10.9	-1.1	8.4	11.9	-2.0	7.5	12.8	-3.0	6.5	13.8
20.5 x 8.0-10	9.7	10.8	3.5	13.2	7.3	1.2	10.9	9.6	-0.1	9.6	10.9	-1.1	8.6	11.9	-2.0	7.7	12.8	-3.0	6.7	13.8

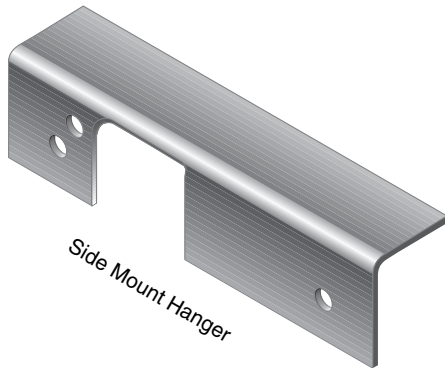
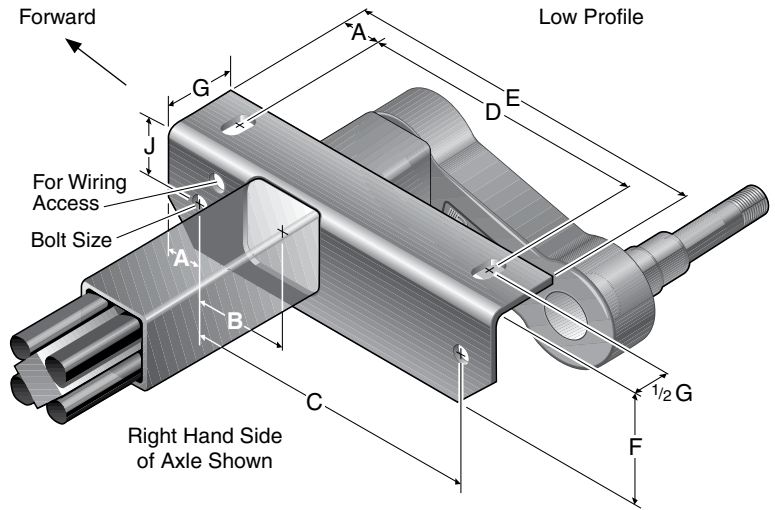
Columns D and E are dimensional examples only:

* D – Static Loaded Radius

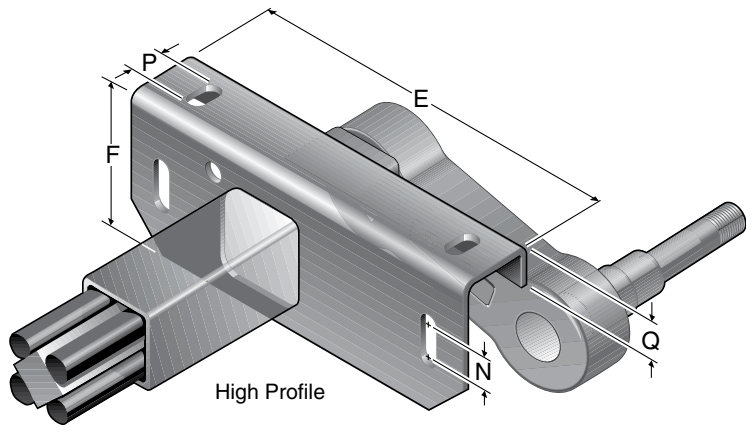
** E – Inflated Radius



9 Bracket Dimensions



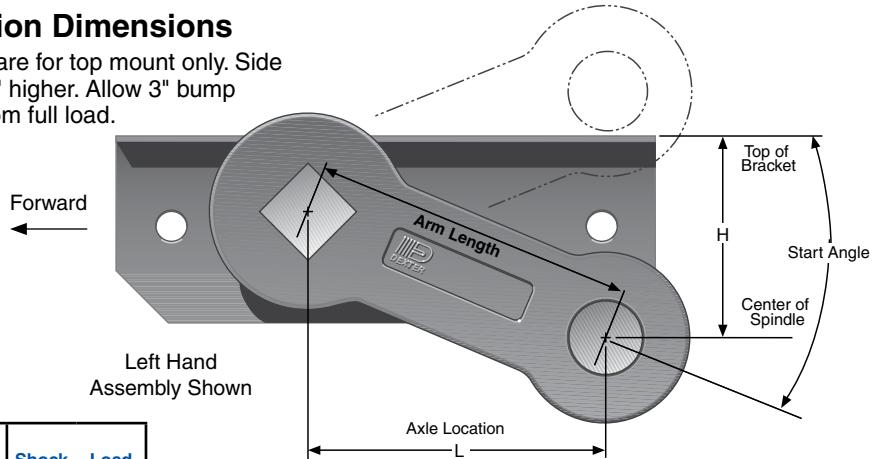
#9 Bracket Dimensions		
	Low	High
A	1.00	1.00
B	2.38	2.38
C	8.00	8.00
D	7.75	7.75
E	10.00	10.00
F	2.88	3.75
G	2.00	2.00
J	1.57	1.57
N	----	.86
P	.94	.94
Q	1.00	1.00
Bolt Size	1/2" bolt	
Tube Size	2.17	2.17





Articulation Dimensions

Dimensions are for top mount only. Side mount is .18" higher. Allow 3" bump clearance from full load.



Start Angle	Bracket Profile	No Load		Full Load		Shock Load	
		H	L	H	L	H	L
45° Down	Low	5.73	4.24	3.79	5.54	2.66	5.88
	High	6.55	4.24	4.61	5.54	3.48	5.88
32° Down	Low	4.67	5.09	2.48	5.92	1.31	6.00
	High	5.49	5.09	3.30	5.92	2.13	6.00
22.5° Down	Low	3.79	5.54	1.49	6.00	0.32	5.88
	High	4.61	5.54	2.31	6.00	1.14	5.88
10° Down	Low	2.53	5.91	0.19	5.86	-0.93	5.49
	High	3.35	5.91	1.01	5.86	-0.11	5.49
0°	Low	1.49	6.00	-0.81	5.54	-1.84	4.99
	High	2.31	6.00	0.01	5.54	-1.02	4.99
10° Up	Low	0.45	5.91	-1.73	5.06	-2.66	4.33
	High	1.27	5.91	-0.91	5.06	-1.84	4.33
22.5° Up	Low	-0.81	5.54	-2.75	4.24	-3.50	3.33
	High	0.01	5.54	-1.93	4.24	-2.68	3.33

Overhang Per Side

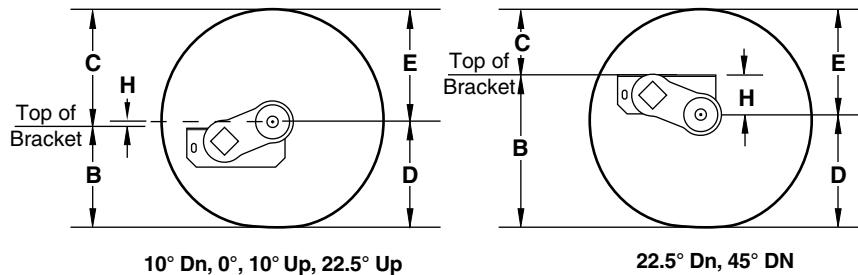
Spindle	Min.	Max.	Max. Capacity
#10 Standard w/Drum	6.30"	11.80"	3500
#10 w/Disc Brake	6.56"	11.80"	3500
#10F w/Drum	6.30"	10.50"	4000
#10L w/Drum	5.88"	13.76"	3000

Note: Positive numbers in the H column indicate the spindle is BELOW the top of the bracket. Conversely, negative numbers are ABOVE the top of the bracket.



Full Load Dimensions

Dimensions are for low profile, top mount only. High profile brackets are .82" higher. Side mount is .18" higher. Allow 3" bump clearance from full load.



Start Angle

Tire	* D	** E	45° Down			22.5° Down			10° Down			0°			10° Up			22.5° Up		
			H	B	C	H	B	C	H	B	C	H	B	C	H	B	C			
ST175/80R13	11.2	12.0	3.8	15.0	8.2	1.5	12.7	10.5	0.2	11.4	11.8	-0.8	10.4	12.8	-1.7	9.5	13.7	-2.8	8.4	14.8
ST205/75R14	12.1	13.1	3.8	15.9	9.3	1.5	13.6	11.6	0.2	12.3	12.9	-0.8	11.3	13.9	-1.7	10.4	14.8	-2.8	9.3	15.9
ST225/75R15	13.0	14.4	3.8	16.8	10.6	1.5	14.5	12.9	0.2	13.2	14.2	-0.8	12.2	15.2	-1.7	11.3	16.1	-2.8	10.2	17.2

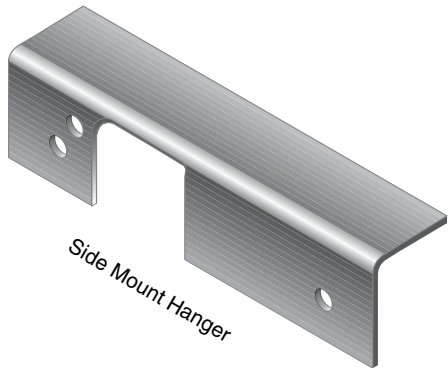
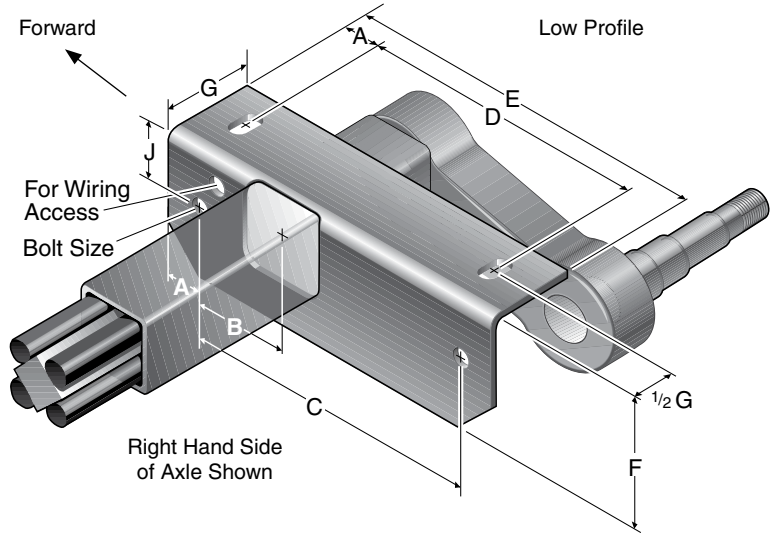
Columns D and E are dimensional examples only:

* D - Static Loaded Radius

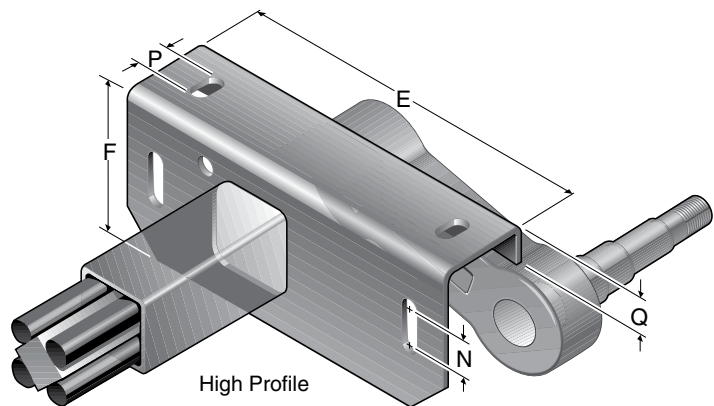
** E - Inflated Radius



10 10F 10L Bracket Dimensions



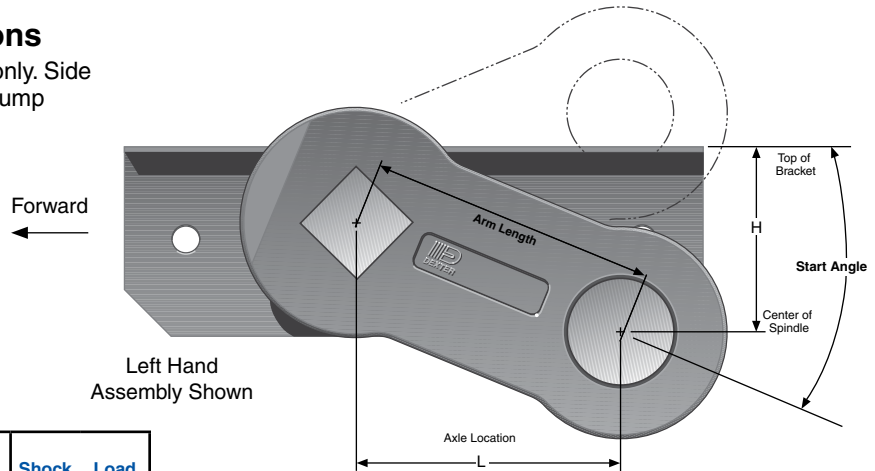
#10 Bracket Dimensions		
	Low	High
A	1.00	1.00
B	2.50	2.50
C	8.00	8.00
D	8.00	8.00
E	10.00	10.00
F	3.43	4.25
G	2.50	2.50
J	1.62	1.62
N	----	1.03
P	----	1.00
Q	----	1.00
Bolt Size	5/8" bolt	
Tube Size	2.62	2.62





Articulation Dimensions

Dimensions are for top mount only. Side mount is .25" higher. Allow 3" bump clearance from full load.



Start Angle	Bracket Profile	No Load		Full Load		Shock Load	
		H	L	H	L	H	L
45° Down	Low	6.01	4.24	4.07	5.54	2.94	5.88
	High	6.76	4.24	4.82	5.54	3.69	5.88
32° Down	Low	4.95	5.09	2.76	5.92	1.59	6.00
	High	5.70	5.09	3.51	5.92	2.34	6.00
22.5° Down	Low	4.07	5.54	1.77	6.00	0.60	5.88
	High	4.82	5.54	2.52	6.00	1.35	5.88
10° Down	Low	2.81	5.91	0.47	5.86	-0.65	5.49
	High	3.56	5.91	1.22	5.86	0.10	5.49
0°	Low	1.77	6.00	-0.53	5.54	-1.56	4.99
	High	2.52	6.00	0.22	5.54	-0.81	4.99
10° Up	Low	0.73	5.91	-1.45	5.06	-2.38	4.33
	High	1.48	5.91	-0.70	5.06	-1.63	4.33
22.5° Up	Low	-0.53	5.54	-2.47	4.24	-3.22	3.33
	High	0.22	5.54	-1.72	4.24	-2.47	3.33

#11 Overhang Per Side

Spindle	Min.	Disc.*	Max.
Short	7.00"	7.50"	10.22"
Standard	7.50"	7.50"	10.22"

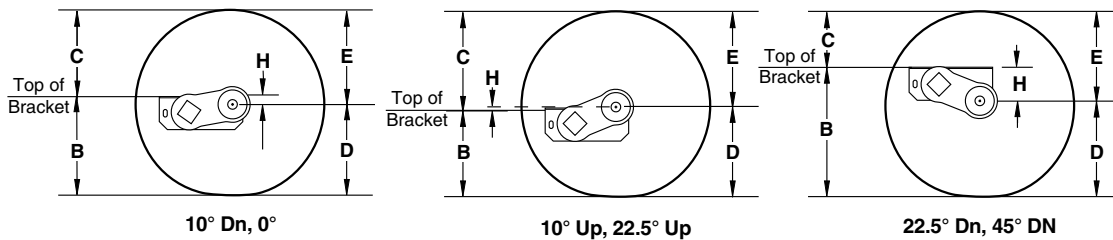
* Minimum overhang with disc brakes

Note: Positive numbers in the H column indicate the spindle is BELOW the top of the bracket. Conversely, negative numbers are ABOVE the top of the bracket.



Full Load Dimensions

Dimensions are for low profile, top mount only. High profile brackets are .75" higher. Side mount is .25" higher. Allow 3" bump clearance from full load.



Start Angle

Tire	*	**	45° Down			22.5° Down			10° Down			0°			10° Up			22.5° Up		
			D	E	H	B	C	H	B	C	H	B	C	H	B	C	H	B	C	
ST225/75R15	13.0	14.4	4.1	17.1	10.3	1.8	14.8	12.6	0.5	13.5	13.9	-0.5	12.5	14.9	-1.5	11.5	15.9	-2.5	10.5	16.9
LT235/85R16	14.3	15.4	4.1	18.4	11.3	1.8	16.1	13.6	0.5	14.8	14.9	-0.5	13.8	15.9	-1.5	12.8	16.9	-2.5	11.8	17.9
LT225/75R16	13.5	14.9	4.1	17.6	10.8	1.8	15.3	13.1	0.5	14.0	14.4	-0.5	13.0	15.4	-1.5	12.0	16.4	-2.5	11.0	17.4
8.75R16.5LT	13.8	14.8	4.1	17.9	10.7	1.8	15.6	13.0	0.5	14.3	14.3	-0.5	13.3	15.3	-1.5	12.3	16.3	-2.5	11.3	17.3

Columns D and E are dimensional examples only:

* D - Static Loaded Radius

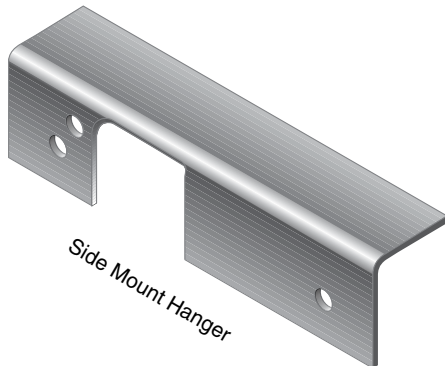
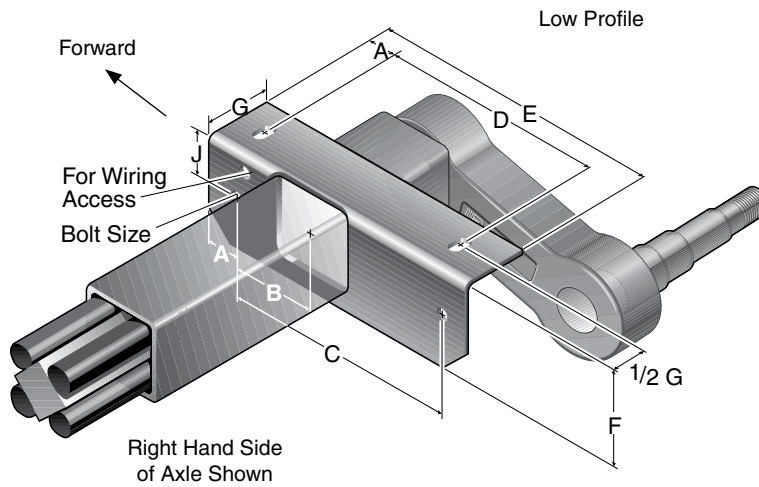
** E - Inflated Radius



4100 - 6000 LBS. CAPACITY

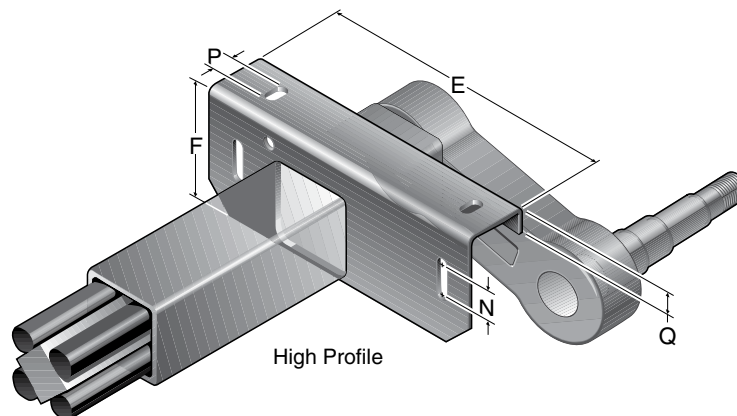


Bracket Dimensions



#11 Bracket Dimensions

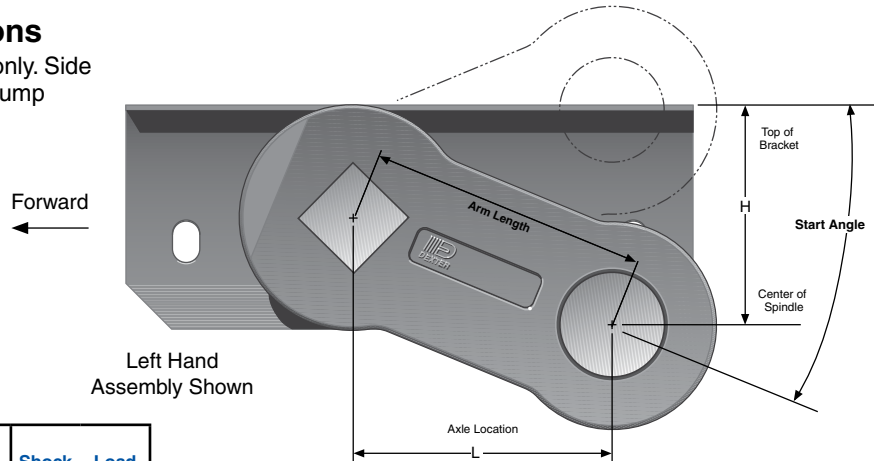
	Low	High
A	.75	1.25
B	3.50	3.50
C	9.50	9.50
D	9.00	9.00
E	11.00	11.00
F	3.91	4.66
G	2.50	2.50
J	1.83	1.83
N	----	1.03
P	----	1.00
Q	----	1.00
Bolt Size	5/8" bolt	
Tube Size	3.03	3.03





Articulation Dimensions

Dimensions are for top mount only. Side mount is .31" higher. Allow 3" bump clearance from full load.



Left Hand Assembly Shown

Start Angle	Bracket Profile	No Load		Full Load		Shock Load	
		H	L	H	L	H	L
45° Down	Low	6.24	4.24	4.30	5.54	3.17	5.88
	High	6.99	4.24	5.05	5.54	3.92	5.88
32° Down	Low	5.18	5.09	2.99	5.92	1.82	6.00
	High	5.93	5.09	3.74	5.92	2.57	6.00
22.5° Down	Low	4.30	5.54	2.00	6.00	0.83	5.88
	High	5.05	5.54	2.75	6.00	1.58	5.88
10° Down	Low	3.04	5.91	0.70	5.86	-0.42	5.49
	High	3.79	5.91	1.45	5.86	0.33	5.49
0°	Low	2.00	6.00	-0.30	5.54	-1.33	4.99
	High	2.75	6.00	0.45	5.54	-0.58	4.99
10° Up	Low	0.96	5.91	-1.22	5.06	-2.15	4.33
	High	1.71	5.91	-0.47	5.06	-1.40	4.33
22.5° Up	Low	-0.30	5.54	-2.24	4.24	-2.99	3.33
	High	0.45	5.54	-1.49	4.24	-2.24	3.33

#12 Overhang Per Side

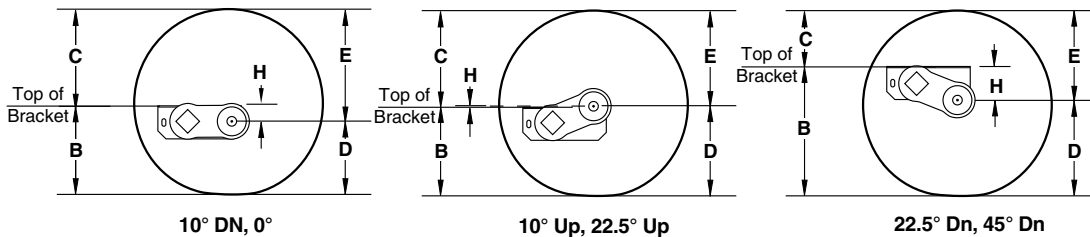
Spindle	Min.	Max.
Short	7.00"	15.20"
Standard	7.50"	15.20"

Note: Positive numbers in the H column indicate the spindle is BELOW the top of the bracket. Conversely, negative numbers are ABOVE the top of the bracket.



Full Load Dimensions

Dimensions are for low profile, top mount only. High profile brackets are .75" higher. Side mount is .31" higher. Allow 3" bump clearance from full load.



Start Angle

Tire	* **		45° Down			22.5° Down			10° Down			0°			10° Up			22.5° Up		
	D	E	H	B	C	H	B	C	H	B	C	H	B	C	H	B	C	H	B	C
LT235/85R16	14.3	15.4	4.3	18.6	11.1	2.0	16.3	13.4	0.7	15.0	14.7	-0.3	14.0	15.7	-1.2	13.1	16.6	-2.2	12.1	17.6
7.50-16LT	14.9	16.7	4.3	19.2	12.4	2.0	16.9	14.7	0.7	15.6	16.0	-0.3	14.6	17.0	-1.2	13.7	17.9	-2.2	12.7	18.9
9.50-16.5LT	14.1	15.2	4.3	18.4	10.9	2.0	16.1	13.2	0.7	14.8	14.5	-0.3	13.8	15.5	-1.2	12.9	16.4	-2.2	11.9	17.4

Columns D and E are dimensional examples only:

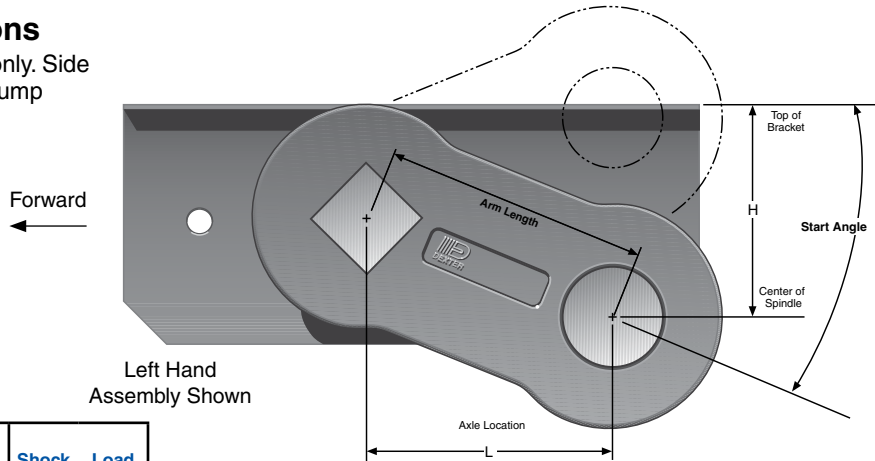
* D – Static Loaded Radius

** E – Inflated Radius



Articulation Dimensions

Dimensions are for top mount only. Side mount is .31" higher. Allow 3" bump clearance from full load.



Left Hand Assembly Shown

Start Angle	Bracket Profile	No Load		Full Load		Shock Load	
		H	L	H	L	H	L
45° Down	Low	6.49	4.24	4.55	5.54	3.42	5.88
	High	7.18	4.24	5.24	5.54	4.11	5.88
32° Down	Low	5.43	5.09	3.24	5.92	2.07	6.00
	High	6.12	5.09	3.93	5.92	2.76	6.00
22.5° Down	Low	4.55	5.54	2.25	6.00	1.08	5.88
	High	5.24	5.54	2.94	6.00	1.77	5.88
10° Down	Low	3.29	5.91	0.95	5.86	-0.17	5.49
	High	3.98	5.91	1.64	5.86	0.52	5.49
0°	Low	2.25	6.00	-0.05	5.54	-1.08	4.99
	High	2.94	6.00	0.64	5.54	-0.39	4.99
10° Up	Low	1.21	5.91	-0.97	5.06	-1.90	4.33
	High	1.90	5.91	-0.28	5.06	-1.21	4.33
22.5° Up	Low	-0.05	5.54	-1.99	4.24	-2.74	3.33
	High	0.64	5.54	-1.30	4.24	-2.05	3.33

#12T Overhang Per Side

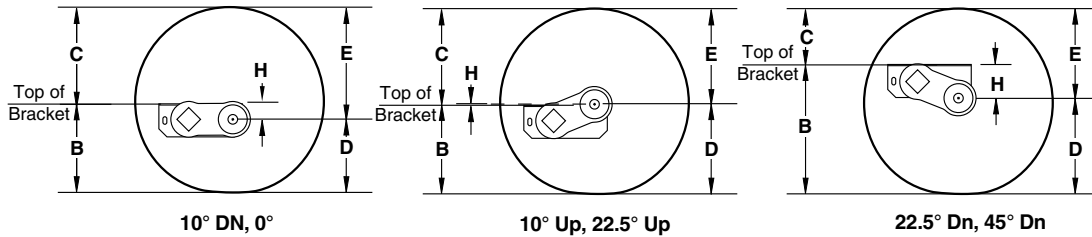
Spindle	Min.	Max.
Short	7.00"	15.20"
Standard	7.50"	15.20"

Note: Positive numbers in the H column indicate the spindle is BELOW the top of the bracket. Conversely, negative numbers are ABOVE the top of the bracket.



Full Load Dimensions

Dimensions are for low profile, top mount only. High profile brackets are .75" higher. Side mount is .31" higher. Allow 3" bump clearance from full load.



Start Angle

Tire	* **		45° Down			22.5° Down			10° Down			0°			10° Up			22.5° Up		
	D	E	H	B	C	H	B	C	H	B	C	H	B	C	H	B	C	H	B	C
10R17.5HC	15.6	18.0	4.6	20.2	13.4	2.3	17.9	15.7	1.0	16.6	17.0	-0.1	15.5	18.1	-1.0	14.6	19.0	-2.0	13.6	20.0
215/75R17.5	14.0	15.3	4.6	18.6	10.7	2.3	16.3	13.0	1.0	15.0	14.3	-0.1	13.9	15.4	-1.0	13.0	16.3	-2.0	12.0	17.3
12-16.5LT	14.9	15.8	4.6	19.5	11.2	2.3	17.2	13.5	1.0	15.9	14.8	-0.1	14.8	15.9	-1.0	13.9	16.8	-2.0	12.9	17.8
9.50-16.5LT	14.1	15.2	4.6	18.7	10.6	2.3	16.4	12.9	1.0	15.1	14.2	-0.1	14.0	15.3	-1.0	13.1	16.2	-2.0	12.1	17.2
9R 17.5HC	15.4	17.1	4.6	20.0	12.5	2.3	17.7	14.8	1.0	16.4	16.1	-0.1	15.3	17.2	-1.0	14.4	18.1	-2.0	13.4	19.1

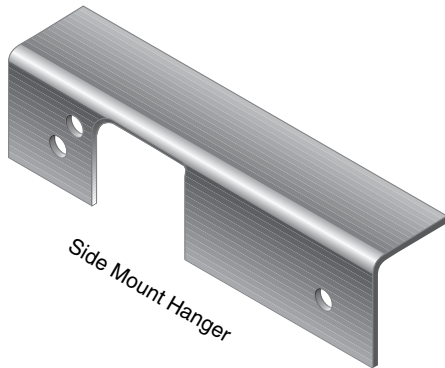
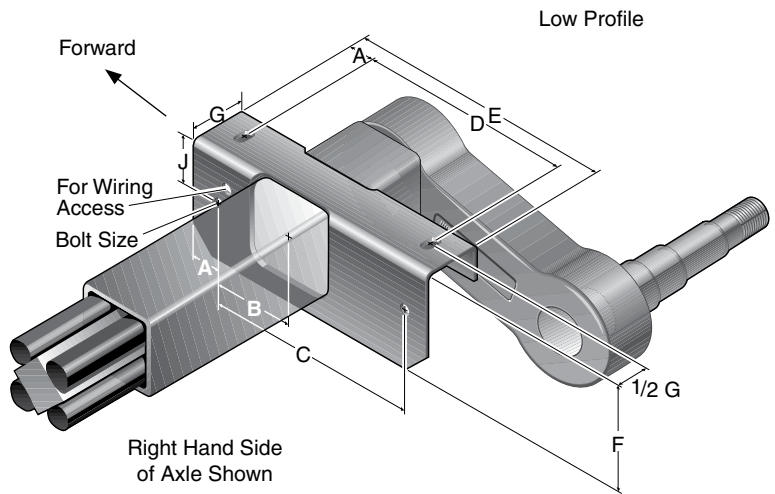
Columns D and E are dimensional examples only:

* D – Static Loaded Radius

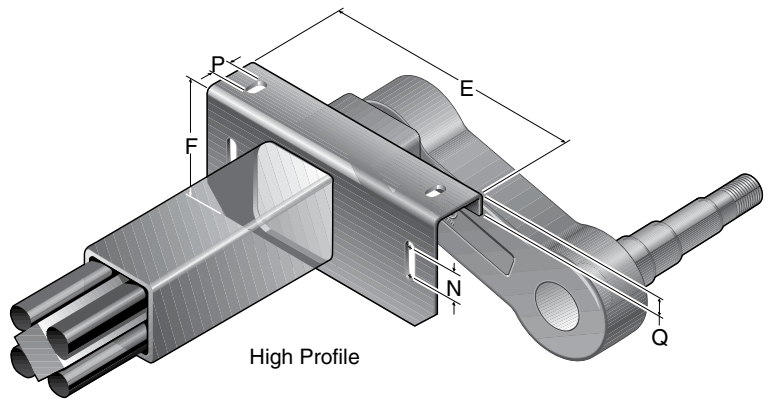
** E – Inflated Radius



12 Bracket Dimensions



#12 Bracket Dimensions		
	Low	High
A	1.25	1.25
B	3.50	3.50
C	9.50	9.50
D	9.00	9.00
E	12.00	12.00
F	4.37	5.12
G	2.50	2.50
J	2.06	2.06
N	----	1.03
P	----	1.00
Q	----	1.00
Bolt Size	5/8" bolt	
Tube Size	3.50	3.50

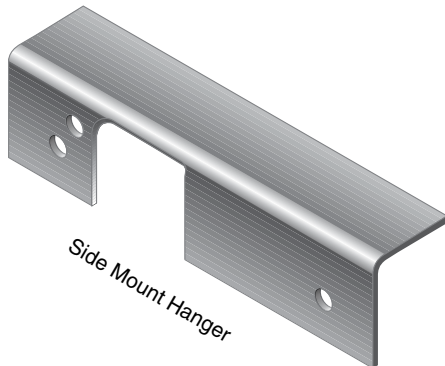
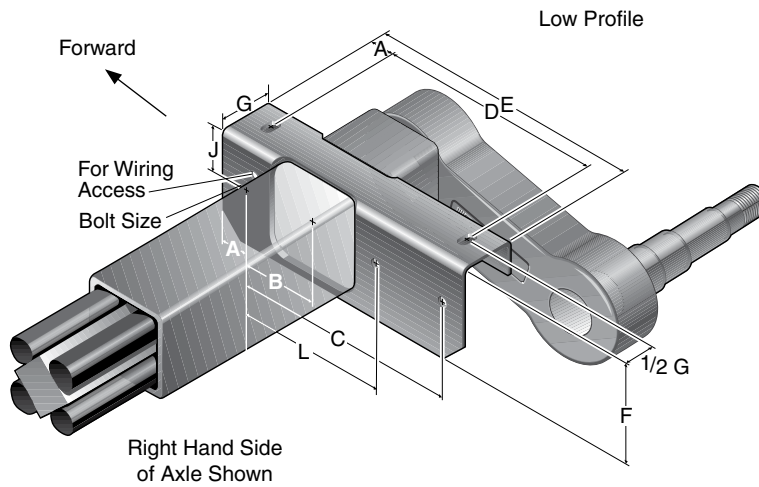




5500 - 7000 LBS. CAPACITY

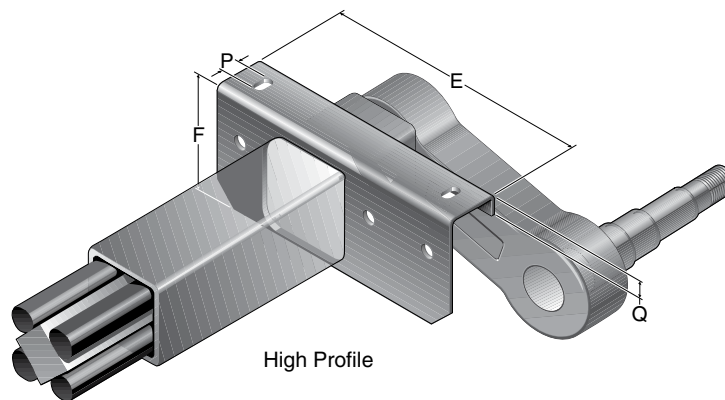


Bracket Dimensions



#12T Bracket Dimensions

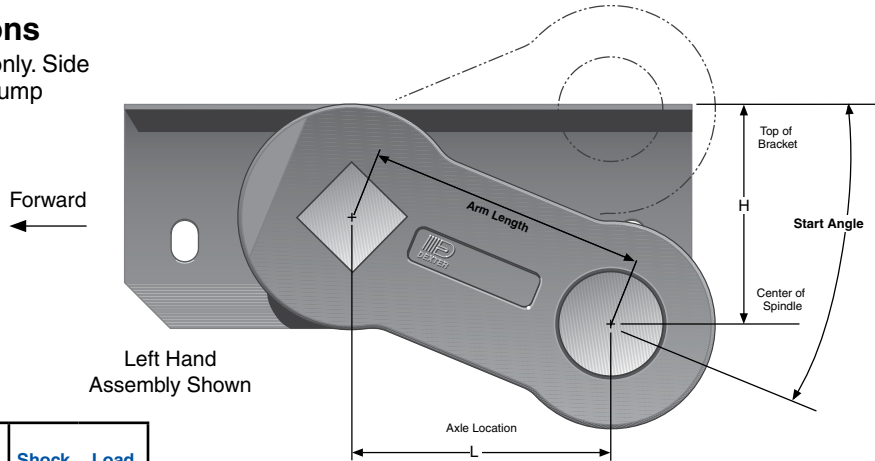
	Low	High
A	1.22	1.22
B	3.63	3.63
C	10.56	10.56
D	10.56	10.56
E	13.00	13.00
F	4.81	5.50
G	2.50	2.50
J	2.25	2.25
L	7.26	7.26
P	----	1.00
Q	----	1.00
Bolt Size	5/8" bolt	
Tube Size	3.88	3.88





Articulation Dimensions

Dimensions are for top mount only. Side mount is .31" higher. Allow 3" bump clearance from full load.



Start Angle	Bracket Profile	No Load		Full Load		Shock Load	
		H	L	H	L	H	L
45° Down	Low	6.24	4.24	4.30	5.54	3.17	5.88
	High	6.99	4.24	5.05	5.54	3.92	5.88
32° Down	Low	5.18	5.09	2.99	5.92	1.82	6.00
	High	5.93	5.09	3.74	5.92	2.57	6.00
22.5° Down	Low	4.30	5.54	2.00	6.00	0.83	5.88
	High	5.05	5.54	2.75	6.00	1.58	5.88
10° Down	Low	3.04	5.91	0.70	5.86	-0.42	5.49
	High	3.79	5.91	1.45	5.86	0.33	5.49
0°	Low	2.00	6.00	-0.30	5.54	-1.33	4.99
	High	2.75	6.00	0.45	5.54	-0.58	4.99
10° Up	Low	0.96	5.91	-1.22	5.06	-2.15	4.33
	High	1.71	5.91	-0.47	5.06	-1.40	4.33
22.5° Up	Low	-0.30	5.54	-2.24	4.24	-2.99	3.33
	High	0.45	5.54	-1.49	4.24	-2.24	3.33

#12V Overhang Per Side

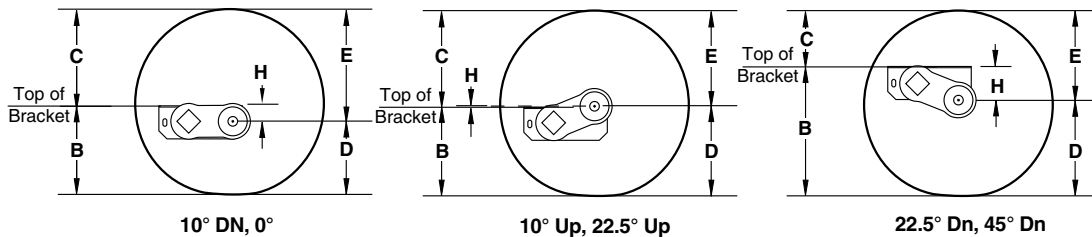
Spindle	Min.	Max.
Standard	7.00"	14.77"

Note: Positive numbers in the H column indicate the spindle is BELOW the top of the bracket. Conversely, negative numbers are ABOVE the top of the bracket.



Full Load Dimensions

Dimensions are for low profile, top mount only. High profile brackets are .75" higher. Side mount is .31" higher. Allow 3" bump clearance from full load.



Start Angle

Tire	* **		45° Down			22.5° Down			10° Down			0°			10° Up			22.5° Up		
	D	E	H	B	C	H	B	C	H	B	C	H	B	C	H	B	C	H	B	C
LT235/85R16	14.3	15.4	4.3	18.6	11.1	2.0	16.3	13.4	0.7	15.0	14.7	-0.3	14.0	15.7	-1.2	13.1	16.6	-2.2	12.1	17.6
7.50-16LT	14.9	16.7	4.3	19.2	12.4	2.0	16.9	14.7	0.7	15.6	16.0	-0.3	14.6	17.0	-1.2	13.7	17.9	-2.2	12.7	18.9
9.50-16.5LT	14.1	15.2	4.3	18.4	10.9	2.0	16.1	13.2	0.7	14.8	14.5	-0.3	13.8	15.5	-1.2	12.9	16.4	-2.2	11.9	17.4

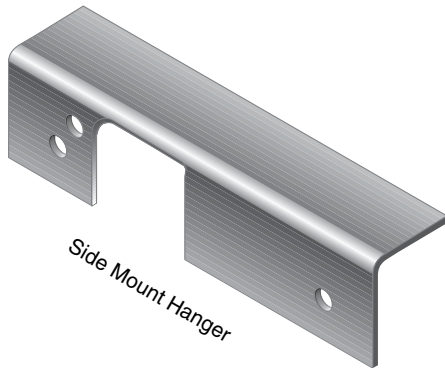
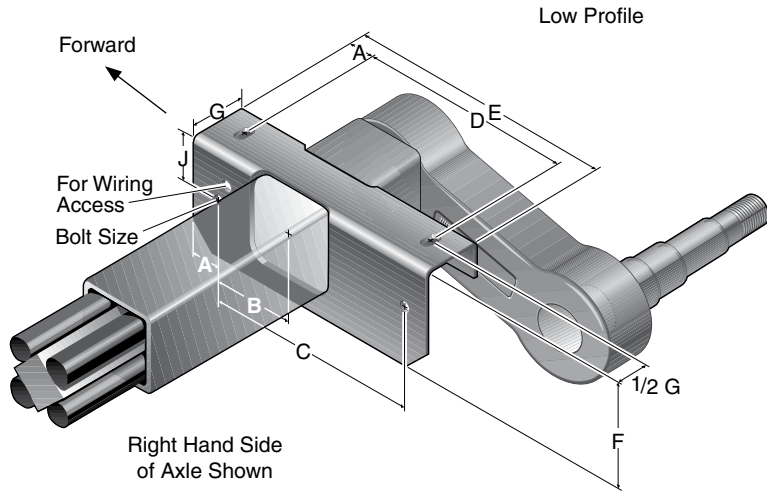
Columns D and E are dimensional examples only:

* D – Static Loaded Radius

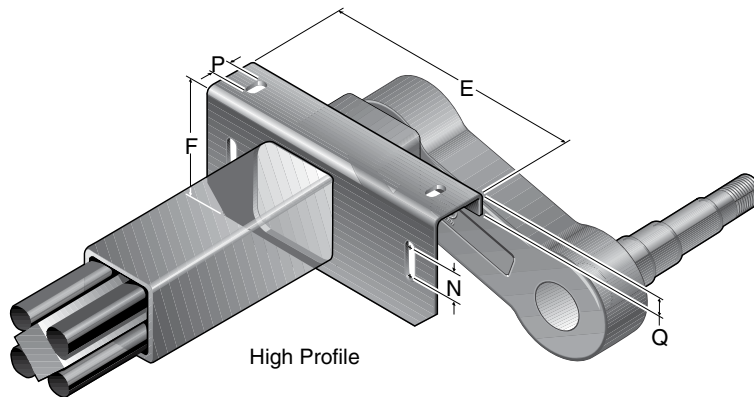
** E – Inflated Radius

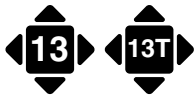


12V Bracket Dimensions



#12V Bracket Dimensions		
	Low	High
A	1.25	1.25
B	3.50	3.50
C	9.50	9.50
D	9.00	9.00
E	12.00	12.00
F	4.37	5.12
G	2.50	2.50
J	2.06	2.06
N	----	1.03
P	----	1.00
Q	----	1.00
Bolt Size	5/8" bolt	
Tube Size	3.50	3.50



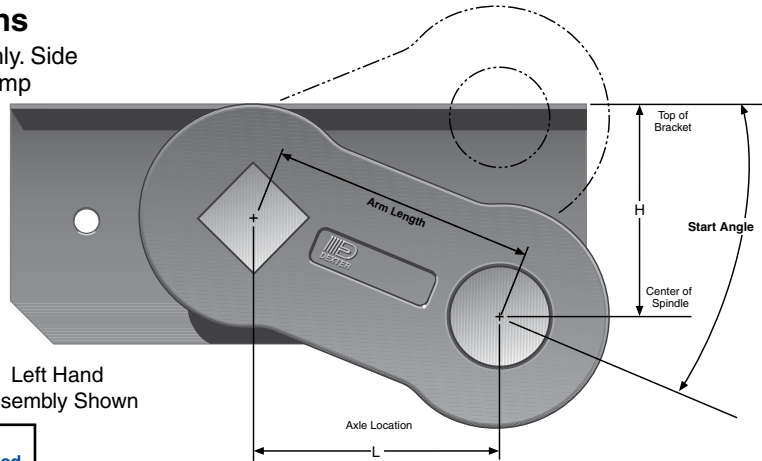


Articulation Dimensions

Dimensions are for top mount only. Side mount is .31" higher. Allow 3" bump clearance from full load.

Note: #13T is not available with low profile.

Forward
←



Left Hand Assembly Shown

Start Angle	Bracket Profile	No Load		Full Load		Shock Load	
		H	L	H	L	H	L
45° Down	Low	6.49	4.24	4.55	5.54	3.42	5.88
	High	7.18	4.24	5.24	5.54	4.11	5.88
32° Down	Low	5.43	5.09	3.24	5.92	2.07	6.00
	High	6.12	5.09	3.93	5.92	2.76	6.00
22.5° Down	Low	4.55	5.54	2.25	6.00	1.08	5.88
	High	5.24	5.54	2.94	6.00	1.77	5.88
10° Down	Low	3.29	5.91	0.95	5.86	-0.17	5.49
	High	3.98	5.91	1.64	5.86	0.52	5.49
0°	Low	2.25	6.00	-0.05	5.54	-1.08	4.99
	High	2.94	6.00	0.64	5.54	-0.39	4.99
10° Up	Low	1.21	5.91	-0.97	5.06	-1.90	4.33
	High	1.90	5.91	-0.28	5.06	-1.21	4.33
22.5° Up	Low	-0.05	5.54	-1.99	4.24	-2.74	3.33
	High	0.64	5.54	-1.30	4.24	-2.05	3.33

#13 Overhang Per Side

Spindle	Min.	Max.
Short	8.50"	21.50"
Standard	9.00"	21.50"

#13T Overhang Per Side

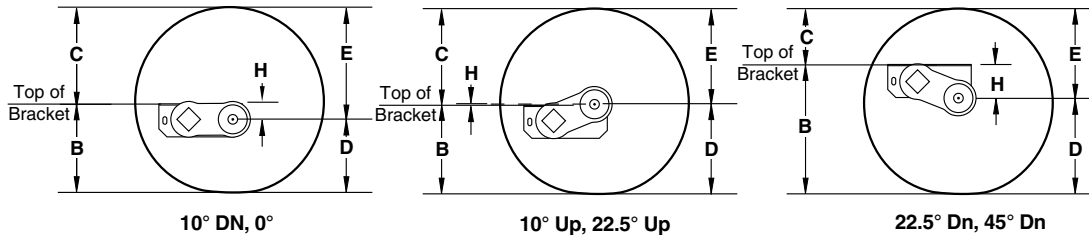
Spindle	Min.	No Bracket Zone	Max.
Short	8.56"	10.13" - 10.75"	11.75"
Standard	9.25"	10.63" - 11.25"	12.25"

Note: Positive numbers in the H column indicate the spindle is BELOW the top of the bracket. Conversely, negative numbers are ABOVE the top of the bracket.



Full Load Dimensions

Dimensions are for low profile, top mount only. High profile brackets are .75" higher. Side mount is .31" higher. Allow 3" bump clearance from full load.



Start Angle

Tire	* **		45° Down			22.5° Down			10° Down			0°			10° Up			22.5° Up		
	D	E	H	B	C	H	B	C	H	B	C	H	B	C	H	B	C	H	B	C
10R17.5HC	15.6	18.0	4.6	20.2	13.4	2.3	17.9	15.7	1.0	16.6	17.0	-0.1	15.5	18.1	-1.0	14.6	19.0	-2.0	13.6	20.0
215/75R17.5	14.0	15.3	4.6	18.6	10.7	2.3	16.3	13.0	1.0	15.0	14.3	-0.1	13.9	15.4	-1.0	13.0	16.3	-2.0	12.0	17.3
12-16.5LT	14.9	15.8	4.6	19.5	11.2	2.3	17.2	13.5	1.0	15.9	14.8	-0.1	14.8	15.9	-1.0	13.9	16.8	-2.0	12.9	17.8
9.50-16.5LT	14.1	15.2	4.6	18.7	10.6	2.3	16.4	12.9	1.0	15.1	14.2	-0.1	14.0	15.3	-1.0	13.1	16.2	-2.0	12.1	17.2
9R 17.5HC	15.4	17.1	4.6	20.0	12.5	2.3	17.7	14.8	1.0	16.4	16.1	-0.1	15.3	17.2	-1.0	14.4	18.1	-2.0	13.4	19.1

Columns D and E are dimensional examples only:

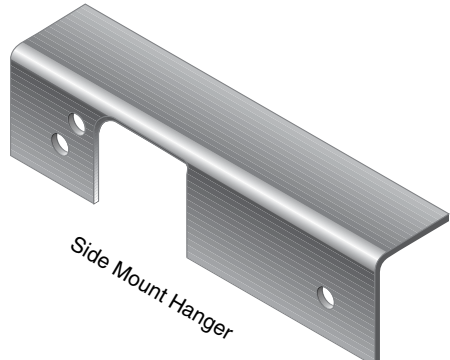
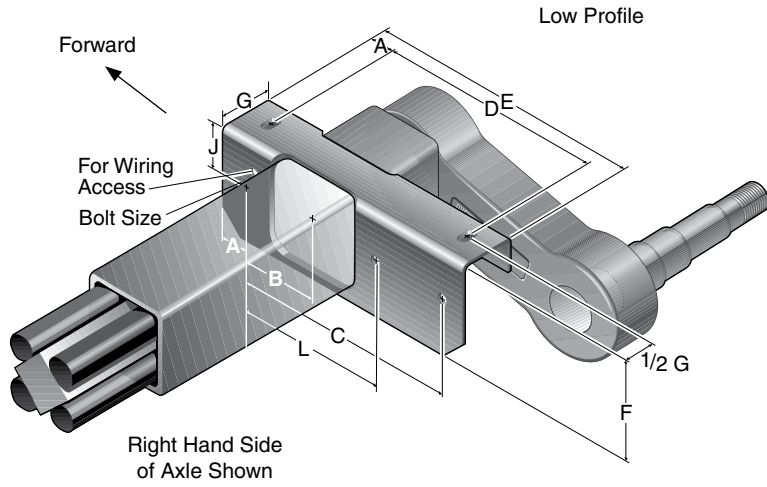
* D – Static Loaded Radius

** E – Inflated Radius



8000 LBS. CAPACITY

13 **13T** **Bracket Dimensions**



#13 Bracket Dimensions		
	Low	High
A	1.22	1.22
B	3.63	3.63
C	10.56	10.56
D	10.56	10.56
E	13.00	13.00
F	4.81	5.50
G	2.50	2.50
J	2.25	2.25
L	7.26	7.26
P	----	1.00
Q	----	1.00
Bolt Size	5/8" bolt	
Tube Size	3.88	3.88

