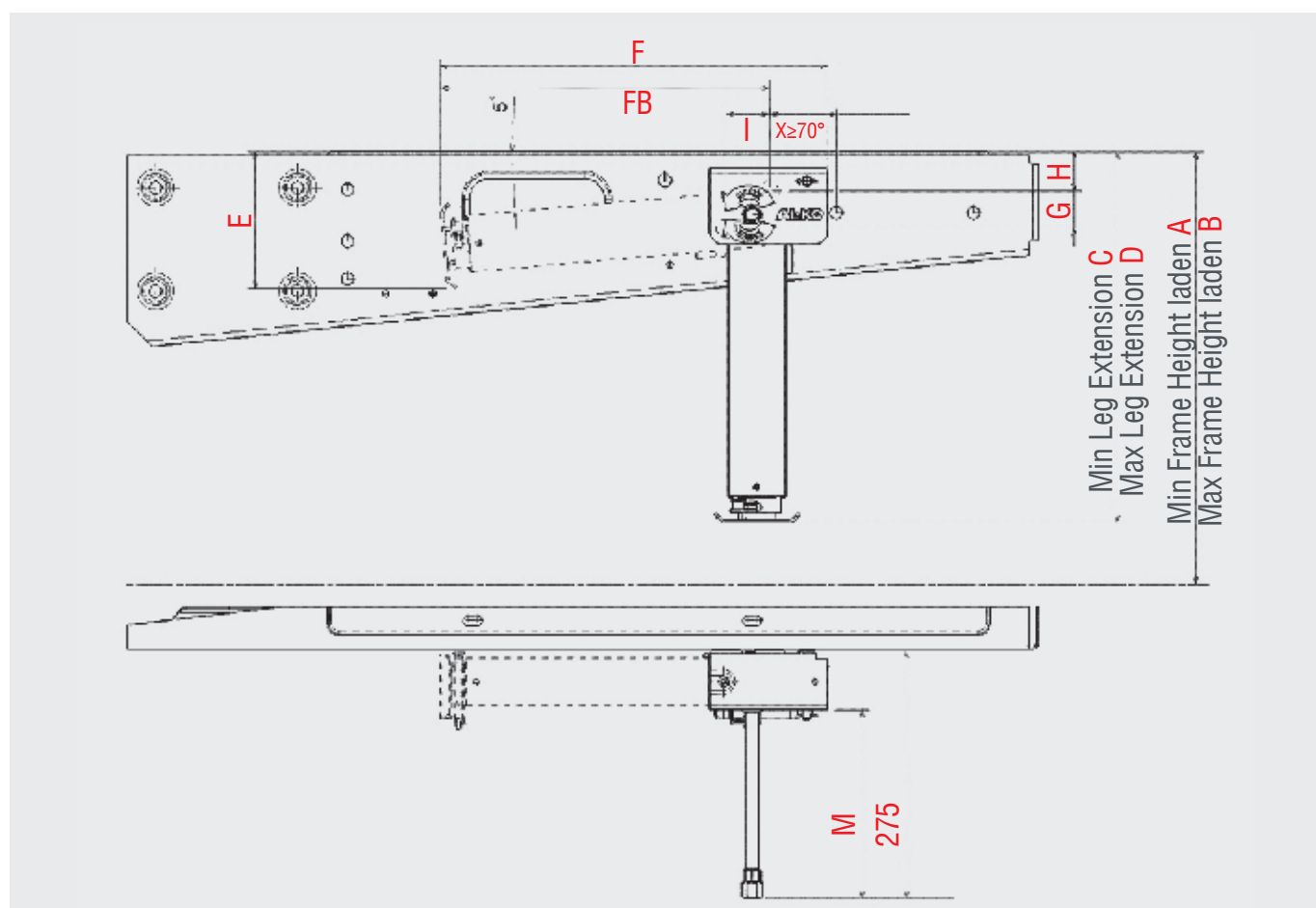


Selecting The Correct AL-KO Click Fix Steady Legs

1. Determine Laden Framework height (Dimension A).
2. With this dimension, confirm the part number for the appropriate kit from table below.
3. Ensure there is sufficient free space for the Steady Legs to stow correctly when not in use. Check length 'F' in the table below.



| Required Frame Height (mm) | | Steady Leg Extension (mm) | | Steady Leg Dimensions (mm) | | | Fixing Position Dimensions (mm) | | | Lowering Mechanism Length (mm) | Weight (kg) | Part No. |
|----------------------------|-------|---------------------------|-------|----------------------------|-----|-----|---------------------------------|------|----|--------------------------------|-------------|----------|
| Min A | Max B | Min C | Max D | E | FB | F | G | H | I | M | (kg) | |
| 310 | 424 | 281 | 445 | 140 | 302 | 364 | 40 | 41.5 | 45 | 200 | 7.2 | 1239362 |
| 320 | 440 | 297 | 464 | 142 | 320 | 382 | 40 | 41.5 | 45 | 200 | 7.3 | 1239363 |
| 420 | 624 | 397 | 654 | 150 | 419 | 481 | 40 | 41.5 | 45 | 200 | 8.4 | 1239364 |
| 460 | 710 | 446 | 744 | 155 | 469 | 531 | 40 | 41.5 | 45 | 200 | 8.9 | 1239365 |