

AUTO BRAKE WINCH

Operating Instruction



SGS

Model: BHW-800, BHW-1200, BHW-1800, BHW-2600

WARNING: BEFORE USING THE WINCH, READ CAREFULLY THIS MANUAL AND KEEP IT FOR FUTURE NEEDS.

(A) SPECIFICATIONS

Model Number	BHW-800	BHW-1200	BHW-1800	BHW-2600
Lifting Capacity (Lbs. / Kg)	400 / 180	600 / 275	900 / 400	1300 / 590
Pulling Capacity (Lbs. / Kg)	800 / 370	1200 / 545	1800 / 820	2600 / 1200
Gear Ratio	4.1:1	4.1:1	5:1	10:1
Hub Diameter for Cable (inch / mm)	1 $\frac{5}{8}$ / 40	2 / 50	2 $\frac{3}{4}$ / 70	3 $\frac{3}{8}$ / 80
Hub Diameter for Strap (inch / mm)	1 $\frac{5}{8}$ / 40	2 / 50	2 $\frac{3}{4}$ / 70	3 $\frac{3}{8}$ / 80
Handle Length (inch / mm)	6 $\frac{5}{16}$ / 160	8 $\frac{1}{4}$ / 210	12 $\frac{5}{8}$ / 320	12 $\frac{5}{8}$ / 320
Max. Drum Capacity for Cable (Feet / M)	$\frac{5}{32}$ x 118 / 4x36	$\frac{3}{16}$ x 76 / 4.8x23	$\frac{1}{4}$ x 79 / 6.4x24	$\frac{5}{16}$ x 59 / 8.0x 18
Max. Drum Capacity for Strap (Feet / M)	30 / 9	28 / 8.5	49.5 / 15	35 / 10.5

(B) FEATURES

A high quality, multi-purpose winch. Frame is one-piece design, plastic handle grip, high strength alloy - steel gear of one-piece design, welded reel. Baked enamel and plated finish. Automatic brake that ensures suspension of the load.

(C) OPERATION

Lifting of the load must happen by rotating the crank Clock- wise. When releasing the crank, the load remains suspended. The descent of the load must happen by rotating the crank counterclock-wise. The Automatic brake intervenes to avoid unchecked descent of the load.

(D) IMPORTANT SAFETY INFORMATION

- This winch is not to be used to transport people or for loads over areas where people could be present.
- Never apply load on winch with cable fully extended. Keep at least three full turns of cable on the reel.
- Operate with hand power and with crank included in the equipment only. This winch should not be operated with a motor of any kind. If the winch cannot be cranked easily with one hand, it is probably over - loaded.

(E) NOTE

The winch finish can be protected and will provide longer service if it is periodically washed with water and then wiped with light oil or wax.

(F) LUBRICATION

This winch has been fully lubricated at the factory, but for continued smooth performance and increased life, occasionally grease gears, reel shaft, and handle threads.

(G) CAUTION

Do not oil or grease brake mechanism.

(H) FIXING OF THE STRAP TO THE DRUM

1. (a) BHW-800, BHW-1200, BHW-1800:
Please refer figure 1.
- (b) BHW-2600:
Please refer figure 2.
2. Completely tighten the bolt.

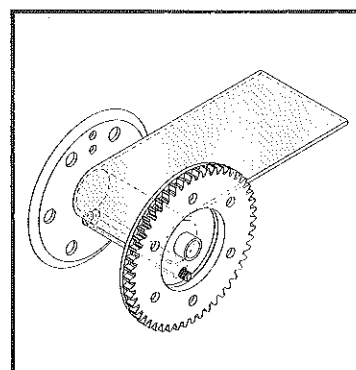


Figure 1

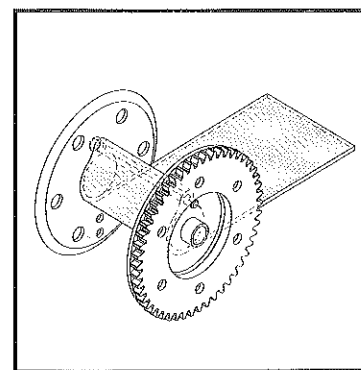


Figure 2

(I) FIXING OF THE ROPE TO THE DRUM

1. (a) BHW-800, BHW-1200, BHW-1800:
Please refer figure 3.
- (b) BHW-2600:
Please refer figure 4.
2. Completely tighten the screw of the Fixing Device.

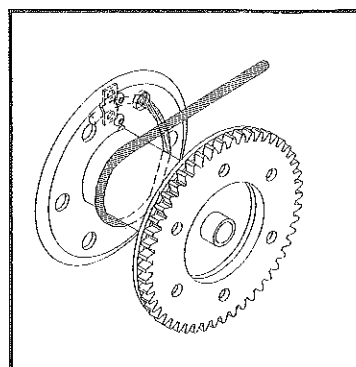


Figure 3

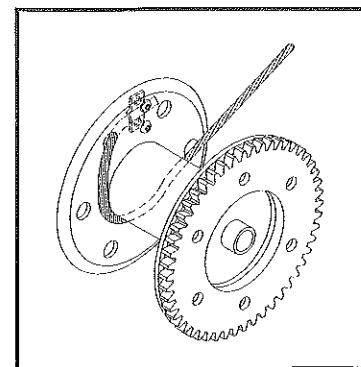


Figure 4