

PARTS KIT CATALOG



GENUINE REPLACEMENT PARTS



DEXTER AXLE

www.dexteraxle.com



I.	Complete Brake Assemblies	
	Brake & Hub-Drum Kits	2
	7" Brake Kits	3
	10" Brake Kits	4
	12" Brake Kits	7
	12¼" Brake Kits	15
II.	Brake Components	
	Brake Controller & Actuators	21
	Brake Cylinder & Rebuild Kits	22
	Caliper Replacement & Repair Kits	24
	Magnet Kits	27
	Brake Shoe & Lining Kits	29
	Brake Block & Pad Kits	40
	Miscellaneous Brake Hardware Kits	42
	Brake Retrofit Kits	52
III.	Complete Hub & Hub-Drum	
	7" Hub & Hub-Drum Kits	56
	10" Hub & Hub-Drum Kits	57
	12" Hub & Hub-Drum Kits	61
	12¼" Hub & Hub-Drum Kits	66
	Rotor Replacement Kits	71
IV.	Hub Components	
	Bearing Kits	72
	E-Z Lube® Components	73
	Nev-R-Lube® Components	75
	Grease & Oil Caps	75
	Hub Covers & Wheel Nut Covers	76
	Seals	78
	Wheel Mounting Hardware	80
	Drum Mounting Hardware	82
	Spindle Nuts & Washers Kits	83
	Retainer Kit	84
V.	Suspension Components	
	Suspension Kits	85
	Over/Under Kits	91
	Shock Absorber Kit	92
	Miscellaneous Suspension Hardware	92
	Airflex® Kits	96
VI.	Index	
	Index by Kit & Page Number	98

COMPLETE BRAKE ASSEMBLIES



Brake & Hub-Drum Kit **K71-508-00**

Converts one idler axle to 7" electric brakes and 5-4.50 BC.

DX Part No.	Quantity	Part Description
005-101-00	2	Tang Washer
006-017-00	8	Brake Mounting Nuts
006-080-00	10	Wheel Nuts
006-190-00	2	Spindle Nut Retainer
006-191-00	2	Spindle Nut
008-257-05	2	Hub-Drum 5-4.50 BC
010-009-00	2	Grease Seal
019-002-00	2	Cotter Pin
021-003-00	2	Grease Cap
023-047-00	1	Brake - LH
023-048-00	1	Brake - RH
031-031-02	4	Bearing Cones
LIT-001-00	1	Operation Maintenance Manual

Brake & Hub-Drum Kit **K71-509-00**

Converts one idler axle to 7" electric brakes and 4-4.00 BC.

DX Part No.	Quantity	Part Description
005-101-00	2	Tang Washer
006-017-00	8	Brake Mounting Nuts
006-080-00	8	Wheel Nuts
006-190-00	2	Spindle Nut Retainer
006-191-00	2	Spindle Nut
008-173-16	2	Hub-Drum 4-4.00 BC
010-009-00	2	Grease Seal
019-002-00	2	Cotter Pin
021-003-00	2	Grease Cap
023-047-00	1	Brake - LH
023-048-00	1	Brake - RH
031-031-02	4	Bearing Cones
LIT-001-00	1	Operation Maintenance Manual

Brake & Hub-Drum Kit - LH **K71-510-00**

Converts idler axle to 10" electric brakes and 5-4.50 BC.

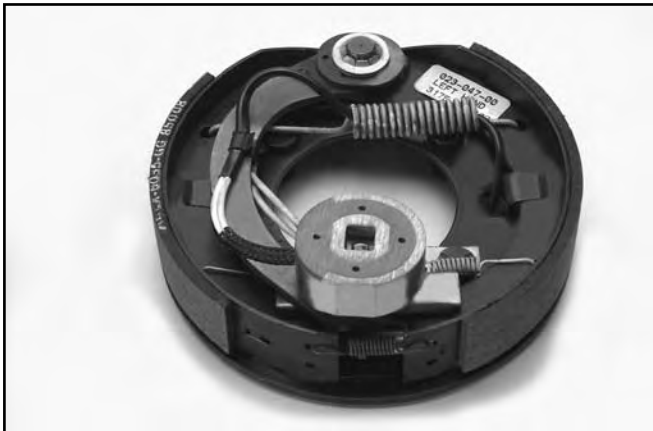
DX Part No.	Quantity	Part Description
005-023-00	1	Spindle Washer
006-017-00	4	Brake Mounting Nuts
006-080-00	5	Wheel Nuts
006-190-00	1	Spindle Nut Retainer
006-191-00	1	Spindle Nut
008-247-05	1	Hub-Drum 5-4.50 BC
010-004-00	1	Grease Seal
021-003-00	1	Grease Cap
023-026-00	1	Brake - LH
031-031-02	1	Bearing Cone - Outer
031-033-02	1	Bearing Cone - Inner
LIT-001-00	1	Operation Maintenance Manual

Brake & Hub-Drum Kit - RH **K71-511-00**

Converts idler axle to 10" electric brakes and 5-4.50 BC.

DX Part No.	Quantity	Part Description
005-023-00	1	Spindle Washer
006-017-00	4	Brake Mounting Nuts
006-080-00	5	Wheel Nuts
006-190-00	1	Spindle Nut Retainer
006-191-00	1	Spindle Nut
008-247-05	1	Hub-Drum 5-4.50 BC
010-004-00	1	Grease Seal
021-003-00	1	Grease Cap
023-027-00	1	Brake - RH
031-031-02	1	Bearing Cone - Outer
031-033-02	1	Bearing Cone - Inner
LIT-001-00	1	Operation Maintenance Manual

COMPLETE BRAKE ASSEMBLIES



K23-047-00

Brake Kit - LH **K23-047-00**

Complete 7" x 1¼" electric brake assembly.

DX Part No.	Quantity	Part Description
023-047-00	1	Brake - LH
059-726-00	1	Instruction Sheet

Brake Kit - RH **K23-048-00**

Complete 7" x 1¼" electric brake assembly.

DX Part No.	Quantity	Part Description
023-048-00	1	Brake - RH
059-726-00	1	Instruction Sheet



K23-103-00

Brake Kit - LH **K23-103-00**

Complete 7" x 1¼" electric brake with park assembly.

DX Part No.	Quantity	Part Description
023-103-00	1	Brake - LH
059-726-00	1	Instruction Sheet

Brake Kit - RH **K23-104-00**

Complete 7" x 1¼" electric brake with park assembly.

DX Part No.	Quantity	Part Description
023-104-00	1	Brake - RH
059-726-00	1	Instruction Sheet

COMPLETE BRAKE ASSEMBLIES



K23-398-00

Brake Kit - LH K23-398-00

Complete 7" x 1¾" hydraulic uni-servo brake assembly.

DX Part No.	Quantity	Part Description
023-398-00	1	Brake - LH
059-726-00	1	Instruction Sheet

Brake Kit - RH K23-399-00

Complete 7" x 1¾" hydraulic uni-servo brake assembly.

DX Part No.	Quantity	Part Description
023-399-00	1	Brake - RH
059-726-00	1	Instruction Sheet



K23-026-00

Brake Kit - LH K23-026-00

Complete 10" x 2¼" electric brake assembly.

DX Part No.	Quantity	Part Description
023-026-00	1	Brake - LH
059-726-00	1	Instruction Sheet

Brake Kit - RH K23-027-00

Complete 10" x 2¼" electric brake assembly.

DX Part No.	Quantity	Part Description
023-027-00	1	Brake - RH
059-726-00	1	Instruction Sheet

Brake Kit - LH K23-086-00

Complete 10" x 2¼" electric brake with park assembly.

DX Part No.	Quantity	Part Description
023-086-00	1	Brake - LH
059-726-00	1	Instruction Sheet

Brake Kit - RH K23-087-00

Complete 10" x 2¼" electric brake with park assembly.

DX Part No.	Quantity	Part Description
023-087-00	1	Brake - RH
059-726-00	1	Instruction Sheet

COMPLETE BRAKE ASSEMBLIES



K23-454-00

Brake Kit - LH K23-454-00

Complete 10" x 2¼" electric D44 CSA brake assembly.

DX Part No.	Quantity	Part Description
023-454-00	1	Brake - LH
059-726-00	1	Instruction Sheet

Brake Kit - RH K23-455-00

Complete 10" x 2¼" electric D44 CSA brake assembly.

DX Part No.	Quantity	Part Description
023-455-00	1	Brake - RH
059-726-00	1	Instruction Sheet



K23-312-00

Brake Kit - LH K23-312-00

Complete 10" x 2¼" hydraulic uni-servo brake assembly.

DX Part No.	Quantity	Part Description
023-312-00	1	Brake - LH
059-726-00	1	Instruction Sheet

Brake Kit - RH K23-313-00

Complete 10" x 2¼" hydraulic uni-servo brake assembly.

DX Part No.	Quantity	Part Description
023-313-00	1	Brake - RH
059-726-00	1	Instruction Sheet

COMPLETE BRAKE ASSEMBLIES



K23-310-00

Brake Kit - LH K23-310-00

Complete 10" x 2 1/4" hydraulic duo-servo brake assembly.

DX Part No.	Quantity	Part Description
023-310-00	1	Brake - LH
059-726-00	1	Instruction Sheet

Brake Kit - RH K23-311-00

Complete 10" x 2 1/4" hydraulic duo-servo brake assembly.

DX Part No.	Quantity	Part Description
023-311-00	1	Brake - RH
059-726-00	1	Instruction Sheet



K23-400-00

Brake Kit - LH K23-330-00

Complete 10" x 2 1/4" hydraulic uni-servo with park brake assembly.

DX Part No.	Quantity	Part Description
023-330-00	1	Brake - LH
059-726-00	1	Instruction Sheet

Brake Kit - RH K23-331-00

Complete 10" x 2 1/4" hydraulic uni-servo with park brake assembly.

DX Part No.	Quantity	Part Description
023-331-00	1	Brake - RH
059-726-00	1	Instruction Sheet

Brake Kit - LH K23-400-00

Complete 10" x 2 1/4" hydraulic duo-servo with park brake assembly.

DX Part No.	Quantity	Part Description
023-400-00	1	Brake - LH
059-726-00	1	Instruction Sheet

Brake Kit - RH K23-401-00

Complete 10" x 2 1/4" hydraulic duo-servo with park brake assembly.

DX Part No.	Quantity	Part Description
023-401-00	1	Brake - RH
059-726-00	1	Instruction Sheet

COMPLETE BRAKE ASSEMBLIES



K23-344-00

Brake Kit - LH K23-344-00

Complete 10" x 2¼" hydraulic free backing brake assembly.

DX Part No.	Quantity	Part Description
023-344-00	1	Brake - LH
059-726-00	1	Instruction Sheet

Brake Kit - RH K23-345-00

Complete 10" x 2¼" hydraulic free backing brake assembly.

DX Part No.	Quantity	Part Description
023-345-00	1	Brake - RH
059-726-00	1	Instruction Sheet

Brake Kit - LH K23-344-01

Complete 10" x 2¼" hydraulic free backing corrosion resistant brake assembly.

DX Part No.	Quantity	Part Description
023-344-01	1	Brake - LH
059-726-00	1	Instruction Sheet

Brake Kit - RH K23-345-01

Complete 10" x 2¼" hydraulic free backing corrosion resistant brake assembly.

DX Part No.	Quantity	Part Description
023-345-01	1	Brake - RH
059-726-00	1	Instruction Sheet



K23-105-00

Brake Kit - LH K23-105-00

Complete 12" x 2" electric 5.2K CSA brake assembly.

DX Part No.	Quantity	Part Description
023-105-00	1	Brake - LH
059-726-00	1	Instruction Sheet

Brake Kit - RH K23-106-00

Complete 12" x 2" electric 5.2K CSA brake assembly.

DX Part No.	Quantity	Part Description
023-106-00	1	Brake - RH
059-726-00	1	Instruction Sheet

Brake Kit - LH K23-112-00

Complete 12" x 2" electric 5.2K CSA with park brake assembly.

DX Part No.	Quantity	Part Description
023-112-00	1	Brake - LH
059-726-00	1	Instruction Sheet

Brake Kit - RH K23-113-00

Complete 12" x 2" electric 5.2K CSA with park brake assembly.

DX Part No.	Quantity	Part Description
023-113-00	1	Brake - RH
059-726-00	1	Instruction Sheet

COMPLETE BRAKE ASSEMBLIES



K23-458-00

Brake Kit - LH K23-458-00

Complete 12" x 2" Nev-R-Adjust™ electric 5.2K CSA brake assembly.

DX Part No.	Quantity	Part Description
023-458-00	1	Brake - LH
059-726-00	1	Instruction Sheet

Brake Kit - RH K23-459-00

Complete 12" x 2" Nev-R-Adjust™ electric 5.2K CSA brake assembly.

DX Part No.	Quantity	Part Description
023-459-00	1	Brake - RH
059-726-00	1	Instruction Sheet



K23-326-00

Brake Kit - LH K23-326-00

Complete 12" x 2" electric 6K CSA brake assembly.

DX Part No.	Quantity	Part Description
023-326-00	1	Brake - LH
059-726-00	1	Instruction Sheet

Brake Kit - RH K23-327-00

Complete 12" x 2" electric 6K CSA brake assembly.

DX Part No.	Quantity	Part Description
023-327-00	1	Brake - RH
059-726-00	1	Instruction Sheet

Brake Kit - LH K23-328-00

Complete 12" x 2" electric 6K CSA with park brake assembly.

DX Part No.	Quantity	Part Description
023-328-00	1	Brake - LH
059-726-00	1	Instruction Sheet

Brake Kit - RH K23-329-00

Complete 12" x 2" electric 6K CSA with park brake assembly.

DX Part No.	Quantity	Part Description
023-329-00	1	Brake - RH
059-726-00	1	Instruction Sheet

COMPLETE BRAKE ASSEMBLIES



K23-466-00

Brake Kit - LH

K23-466-00

Complete 12" x 2" Nev-R-Adjust™ electric 6K CSA brake assembly.

DX Part No.	Quantity	Part Description
023-466-00	1	Brake - LH
059-726-00	1	Instruction Sheet

Brake Kit - RH

K23-467-00

Complete 12" x 2" Nev-R-Adjust™ electric 6K CSA brake assembly.

DX Part No.	Quantity	Part Description
023-467-00	1	Brake - RH
059-726-00	1	Instruction Sheet



K23-180-00

Brake Kit - LH

K23-180-00

Complete 12" x 2" electric 7K brake assembly.

DX Part No.	Quantity	Part Description
023-180-00	1	Brake - LH
059-726-00	1	Instruction Sheet

Brake Kit - RH

K23-181-00

Complete 12" x 2" electric 7K brake assembly.

DX Part No.	Quantity	Part Description
023-181-00	1	Brake - RH
059-726-00	1	Instruction Sheet

COMPLETE BRAKE ASSEMBLIES



K23-464-00

Brake Kit - LH K23-464-00

Complete 12" x 2" Nev-R-Adjust™ electric 7K brake assembly.

DX Part No.	Quantity	Part Description
023-464-00	1	Brake - LH
059-726-00	1	Instruction Sheet

Brake Kit - RH K23-465-00

Complete 12" x 2" Nev-R-Adjust™ electric 7K brake assembly.

DX Part No.	Quantity	Part Description
023-465-00	1	Brake - RH
059-726-00	1	Instruction Sheet



K23-324-00

Brake Kit - LH K23-324-00

Complete 12" x 2" hydraulic 5.2K uni-servo brake assembly.

DX Part No.	Quantity	Part Description
023-324-00	1	Brake - LH
059-726-00	1	Instruction Sheet

Brake Kit - RH K23-325-00

Complete 12" x 2" hydraulic 5.2K uni-servo brake assembly.

DX Part No.	Quantity	Part Description
023-325-00	1	Brake - RH
059-726-00	1	Instruction Sheet

Brake Kit - LH K23-322-00

Complete 12" x 2" hydraulic 5.2K duo-servo brake assembly.

DX Part No.	Quantity	Part Description
023-322-00	1	Brake - LH
059-726-00	1	Instruction Sheet

Brake Kit - RH K23-323-00

Complete 12" x 2" hydraulic 5.2K duo-servo brake assembly.

DX Part No.	Quantity	Part Description
023-323-00	1	Brake - RH
059-726-00	1	Instruction Sheet

COMPLETE BRAKE ASSEMBLIES



K23-318-00

Brake Kit - LH

K23-318-00

Complete 12" x 2" hydraulic 5.2K duo-servo with park brake assembly.

DX Part No.	Quantity	Part Description
023-318-00	1	Brake - LH
059-726-00	1	Instruction Sheet

Brake Kit - RH

K23-319-00

Complete 12" x 2" hydraulic 5.2K duo-servo with park brake assembly.

DX Part No.	Quantity	Part Description
023-319-00	1	Brake - RH
059-726-00	1	Instruction Sheet



K23-320-00

Brake Kit - LH

K23-320-00

Complete 12" x 2" hydraulic 5.2K uni-servo with park brake assembly.

DX Part No.	Quantity	Part Description
023-320-00	1	Brake - LH
059-726-00	1	Instruction Sheet

Brake Kit - RH

K23-321-00

Complete 12" x 2" hydraulic 5.2K uni-servo with park brake assembly.

DX Part No.	Quantity	Part Description
023-321-00	1	Brake - RH
059-726-00	1	Instruction Sheet

COMPLETE BRAKE ASSEMBLIES



K23-338-00

Brake Kit - LH **K23-338-00**

Complete 12" x 2" hydraulic 7K uni-servo brake assembly.

DX Part No.	Quantity	Part Description
023-338-00	1	Brake - LH
059-726-00	1	Instruction Sheet

Brake Kit - RH **K23-339-00**

Complete 12" x 2" hydraulic 7K uni-servo brake assembly.

DX Part No.	Quantity	Part Description
023-339-00	1	Brake - RH
059-726-00	1	Instruction Sheet



K23-336-00

Brake Kit - LH **K23-336-00**

Complete 12" x 2" hydraulic 7K duo-servo brake assembly.

DX Part No.	Quantity	Part Description
023-336-00	1	Brake - LH
059-726-00	1	Instruction Sheet

Brake Kit - RH **K23-337-00**

Complete 12" x 2" hydraulic 7K duo-servo brake assembly.

DX Part No.	Quantity	Part Description
023-337-00	1	Brake - RH
059-726-00	1	Instruction Sheet

COMPLETE BRAKE ASSEMBLIES



K23-334-00

Brake Kit - LH

K23-334-00

Complete 12" x 2" hydraulic 7K uni-servo with park brake assembly.

DX Part No.	Quantity	Part Description
023-334-00	1	Brake - LH
059-726-00	1	Instruction Sheet

Brake Kit - RH

K23-335-00

Complete 12" x 2" hydraulic 7K uni-servo with park brake assembly.

DX Part No.	Quantity	Part Description
023-335-00	1	Brake - RH
059-726-00	1	Instruction Sheet



K23-332-00

Brake Kit - LH

K23-332-00

Complete 12" x 2" hydraulic 7K duo-servo with park brake assembly.

DX Part No.	Quantity	Part Description
023-332-00	1	Brake - LH
059-726-00	1	Instruction Sheet

Brake Kit - RH

K23-333-00

Complete 12" x 2" hydraulic 7K duo-servo with park brake assembly.

DX Part No.	Quantity	Part Description
023-333-00	1	Brake - RH
059-726-00	1	Instruction Sheet

COMPLETE BRAKE ASSEMBLIES



K23-342-00

Brake Kit - LH K23-342-00

Complete 12" x 2" hydraulic 7K free backing brake assembly.

DX Part No.	Quantity	Part Description
023-342-00	1	Brake - LH
059-726-00	1	Instruction Sheet

Brake Kit - RH K23-343-00

Complete 12" x 2" hydraulic 7K free backing brake assembly.

DX Part No.	Quantity	Part Description
023-343-00	1	Brake - RH
059-726-00	1	Instruction Sheet

Brake Kit - LH K23-342-01

Complete 12" x 2" hydraulic 7K free backing corrosion resistant brake assembly.

DX Part No.	Quantity	Part Description
023-342-01	1	Brake - LH
059-726-00	1	Instruction Sheet

Brake Kit - RH K23-343-01

Complete 12" x 2" hydraulic 7K free backing corrosion resistant brake assembly.

DX Part No.	Quantity	Part Description
023-343-01	1	Brake - RH
059-726-00	1	Instruction Sheet



K23-340-00

Brake Kit - LH K23-340-00

Complete 12" x 2" hydraulic 7K free backing with park brake assembly.

DX Part No.	Quantity	Part Description
023-340-00	1	Brake - LH
059-726-00	1	Instruction Sheet

Brake Kit - RH K23-341-00

Complete 12" x 2" hydraulic 7K free backing with park brake assembly.

DX Part No.	Quantity	Part Description
023-341-00	1	Brake - RH
059-726-00	1	Instruction Sheet

Brake Kit - LH K23-340-01

Complete 12" x 2" hydraulic 7K free backing with park, corrosion resistant brake assembly.

DX Part No.	Quantity	Part Description
023-340-01	1	Brake - LH
059-726-00	1	Instruction Sheet

Brake Kit - RH K23-341-01

Complete 12" x 2" hydraulic 7K free backing with park, corrosion resistant brake assembly.

DX Part No.	Quantity	Part Description
023-341-01	1	Brake - RH
059-726-00	1	Instruction Sheet

COMPLETE BRAKE ASSEMBLIES



K23-428-00

Brake Kit - LH K23-428-00

Complete 12¼" x 2½" electric 7.2K manual adjust brake assembly.

DX Part No.	Quantity	Part Description
023-428-00	1	Brake - LH
059-637-00	1	Instruction Sheet

Brake Kit - RH K23-429-00

Complete 12¼" x 2½" electric 7.2K manual adjust brake assembly.

DX Part No.	Quantity	Part Description
023-429-00	1	Brake - RH
059-637-00	1	Instruction Sheet

Brake Kit - LH K23-434-00

Complete 12¼" x 3⅜" electric 8K FSA brake assembly.

DX Part No.	Quantity	Part Description
023-434-00	1	Brake - LH
059-637-00	1	Instruction Sheet

Brake Kit - RH K23-435-00

Complete 12¼" x 3⅜" electric 8K FSA brake assembly.

DX Part No.	Quantity	Part Description
023-435-00	1	Brake - RH
059-637-00	1	Instruction Sheet

Brake Kit - LH K23-432-00

Complete 12¼" x 3⅜" electric 8K manual adjust brake assembly.

DX Part No.	Quantity	Part Description
023-432-00	1	Brake - LH
059-637-00	1	Instruction Sheet

Brake Kit - RH K23-433-00

Complete 12¼" x 3⅜" electric 8K manual adjust brake assembly.

DX Part No.	Quantity	Part Description
023-433-00	1	Brake - RH
059-637-00	1	Instruction Sheet

Brake Kit - LH K23-450-00

Complete 12¼" x 3⅜" electric 9K-10K GD FSA brake assembly.

DX Part No.	Quantity	Part Description
023-450-00	1	Brake - LH
059-637-00	1	Instruction Sheet

Brake Kit - RH K23-451-00

Complete 12¼" x 3⅜" electric 9K-10K GD FSA brake assembly.

DX Part No.	Quantity	Part Description
023-451-00	1	Brake - RH
059-637-00	1	Instruction Sheet

Brake Kit - LH K23-448-00

Complete 12¼" x 3⅜" electric 9K-10K GD manual adjust brake, 7 bolt assembly.

DX Part No.	Quantity	Part Description
023-448-00	1	Brake - LH
059-637-00	1	Instruction Sheet

Brake Kit - RH K23-449-00

Complete 12¼" x 3⅜" electric 9K-10K GD manual adjust brake, 7 bolt assembly.

DX Part No.	Quantity	Part Description
023-449-00	1	Brake - RH
059-637-00	1	Instruction Sheet

COMPLETE BRAKE ASSEMBLIES



Brake Kit - LH **K23-418-00**

Complete 12¼" x 3⅜" hydraulic 8K uni-servo FSA brake assembly.

DX Part No.	Quantity	Part Description
023-418-00	1	Brake - LH
059-637-00	1	Instruction Sheet

Brake Kit - RH **K23-419-00**

Complete 12¼" x 3⅜" hydraulic 8K uni-servo FSA brake assembly.

DX Part No.	Quantity	Part Description
023-419-00	1	Brake - RH
059-637-00	1	Instruction Sheet

Brake Kit - LH **K23-402-00**

Complete 12¼" x 3⅜" hydraulic 8K duo-servo FSA brake assembly.

DX Part No.	Quantity	Part Description
023-402-00	1	Brake - LH
059-637-00	1	Instruction Sheet

Brake Kit - RH **K23-403-00**

Complete 12¼" x 3⅜" hydraulic 8K duo-servo FSA brake assembly.

DX Part No.	Quantity	Part Description
023-403-00	1	Brake - RH
059-637-00	1	Instruction Sheet

Brake Kit - LH **K23-420-00**

Complete 12¼" x 3⅜" hydraulic 8K duo-servo FSA, corrosion resistant brake assembly.

DX Part No.	Quantity	Part Description
023-420-00	1	Brake - LH
059-637-00	1	Instruction Sheet

Brake Kit - RH **K23-421-00**

Complete 12¼" x 3⅜" hydraulic 8K duo-servo FSA, corrosion resistant brake assembly.

DX Part No.	Quantity	Part Description
023-421-00	1	Brake - RH
059-637-00	1	Instruction Sheet

Brake Kit - LH **K23-171-00**

Complete 12¼" x 3⅜" hydraulic 8K duo-servo RSA with park brake assembly.

DX Part No.	Quantity	Part Description
023-171-00	1	Brake - LH
059-637-00	1	Instruction Sheet

Brake Kit - RH **K23-172-00**

Complete 12¼" x 3⅜" hydraulic 8K duo-servo RSA with park brake assembly.

DX Part No.	Quantity	Part Description
023-172-00	1	Brake - RH
059-637-00	1	Instruction Sheet

Brake Kit - LH **K23-388-00**

Complete 12¼" x 3⅜" hydraulic 8K duo-servo manual adjust brake assembly.

DX Part No.	Quantity	Part Description
023-388-00	1	Brake - LH
059-637-00	1	Instruction Sheet

Brake Kit - RH **K23-387-00**

Complete 12¼" x 3⅜" hydraulic 8K duo-servo manual adjust brake assembly.

DX Part No.	Quantity	Part Description
023-387-00	1	Brake - RH
059-637-00	1	Instruction Sheet

Brake Kit - LH **K23-252-00**

Complete 12¼" x 3⅜" hydraulic 8K uni-servo manual adjust with park brake assembly.

DX Part No.	Quantity	Part Description
023-252-00	1	Brake - LH
059-637-00	1	Instruction Sheet

Brake Kit - RH **K23-253-00**

Complete 12¼" x 3⅜" hydraulic 8K uni-servo manual adjust with park brake assembly.

DX Part No.	Quantity	Part Description
023-253-00	1	Brake - RH
059-637-00	1	Instruction Sheet

COMPLETE BRAKE ASSEMBLIES



Brake Kit - LH **K23-412-00**

Complete 12¼" x 3⅜" hydraulic 9K-10K GD uni-servo FSA brake assembly.

DX Part No.	Quantity	Part Description
023-412-00	1	Brake - LH
059-637-00	1	Instruction Sheet

Brake Kit - RH **K23-413-00**

Complete 12¼" x 3⅜" hydraulic 9K-10K GD uni-servo FSA brake assembly.

DX Part No.	Quantity	Part Description
023-413-00	1	Brake - RH
059-637-00	1	Instruction Sheet

Brake Kit - LH **K23-410-00**

Complete 12¼" x 3⅜" hydraulic 9K-10K GD duo-servo FSA brake assembly.

DX Part No.	Quantity	Part Description
023-410-00	1	Brake - LH
059-637-00	1	Instruction Sheet

Brake Kit - RH **K23-411-00**

Complete 12¼" x 3⅜" hydraulic 9K-10K GD duo-servo FSA brake assembly.

DX Part No.	Quantity	Part Description
023-411-00	1	Brake - RH
059-637-00	1	Instruction Sheet

Brake Kit - LH **K23-210-00**

Complete 12¼" x 3⅜" hydraulic 9K-10K GD duo-servo RSA with park brake assembly.

DX Part No.	Quantity	Part Description
023-210-00	1	Brake - LH
059-637-00	1	Instruction Sheet

Brake Kit - RH **K23-211-00**

Complete 12¼" x 3⅜" hydraulic 9K-10K GD duo-servo RSA with park brake assembly.

DX Part No.	Quantity	Part Description
023-211-00	1	Brake - RH
059-637-00	1	Instruction Sheet

Brake Kit - LH **K23-395-00**

Complete 12¼" x 3⅜" hydraulic 9K-10K GD duo-servo manual adjust brake assembly.

DX Part No.	Quantity	Part Description
023-395-00	1	Brake - RH
059-637-00	1	Instruction Sheet

Brake Kit - RH **K23-396-00**

Complete 12¼" x 3⅜" hydraulic 9K-10K GD duo-servo manual adjust brake assembly.

DX Part No.	Quantity	Part Description
023-396-00	1	Brake - LH
059-637-00	1	Instruction Sheet

Brake Kit - LH **K23-386-00**

Complete 12¼" x 3⅜" hydraulic TAG duo-servo RSA brake assembly.

DX Part No.	Quantity	Part Description
023-386-00	1	Brake - LH
059-637-00	1	Instruction Sheet

Brake Kit - RH **K23-385-00**

Complete 12¼" x 3⅜" hydraulic TAG duo-servo RSA brake assembly.

DX Part No.	Quantity	Part Description
023-385-00	1	Brake - RH
059-637-00	1	Instruction Sheet

Brake Kit - LH **K23-234-00**

Complete 12¼" x 3⅜" hydraulic 9K-10K GD uni-servo manual adjust with park brake assembly.

DX Part No.	Quantity	Part Description
023-234-00	1	Brake - LH
059-637-00	1	Instruction Sheet

Brake Kit - RH **K23-235-00**

Complete 12¼" x 3⅜" hydraulic 9K-10K GD uni-servo manual adjust with park brake assembly.

DX Part No.	Quantity	Part Description
023-235-00	1	Brake - RH
059-637-00	1	Instruction Sheet

COMPLETE BRAKE ASSEMBLIES



K23-438-00

Brake Kit - LH K23-438-00

Complete 12¼" x 4" electric 10K HD FSA brake assembly.

DX Part No.	Quantity	Part Description
023-438-00	1	Brake - LH
059-637-00	1	Instruction Sheet

Brake Kit - RH K23-439-00

Complete 12¼" x 4" electric 10K HD FSA brake assembly.

DX Part No.	Quantity	Part Description
023-439-00	1	Brake - RH
059-637-00	1	Instruction Sheet

Brake Kit - LH K23-436-00

Complete 12¼" x 4" electric 10K HD manual adjust brake assembly.

DX Part No.	Quantity	Part Description
023-436-00	1	Brake - LH
059-637-00	1	Instruction Sheet

Brake Kit - RH K23-437-00

Complete 12¼" x 4" electric 10K HD manual adjust brake assembly.

DX Part No.	Quantity	Part Description
023-437-00	1	Brake - RH
059-637-00	1	Instruction Sheet



K23-404-00

Brake Kit - LH K23-414-00

Complete 12¼" x 4" hydraulic 10K HD uni-servo FSA brake assembly.

DX Part No.	Quantity	Part Description
023-414-00	1	Brake - LH
059-637-00	1	Instruction Sheet

Brake Kit - RH K23-415-00

Complete 12¼" x 4" hydraulic 10K HD uni-servo FSA brake assembly.

DX Part No.	Quantity	Part Description
023-415-00	1	Brake - RH
059-637-00	1	Instruction Sheet

Brake Kit - LH K23-404-00

Complete 12¼" x 4" hydraulic 10K HD duo-servo FSA brake assembly.

DX Part No.	Quantity	Part Description
023-404-00	1	Brake - LH
059-637-00	1	Instruction Sheet

Brake Kit - RH K23-405-00

Complete 12¼" x 4" hydraulic 10K HD duo-servo FSA brake assembly.

DX Part No.	Quantity	Part Description
023-405-00	1	Brake - RH
059-637-00	1	Instruction Sheet

COMPLETE BRAKE ASSEMBLIES



Brake Kit - LH **K23-168-00**

Complete 12¼" x 4" hydraulic 10K HD duo-servo RSA with park brake assembly.

DX Part No.	Quantity	Part Description
023-168-00	1	Brake - LH
059-637-00	1	Instruction Sheet

Brake Kit - RH **K23-169-00**

Complete 12¼" x 4" hydraulic 10K HD duo-servo RSA with park brake assembly.

DX Part No.	Quantity	Part Description
023-169-00	1	Brake - RH
059-637-00	1	Instruction Sheet

Brake Kit - LH **K23-222-00**

Complete 12¼" x 4" hydraulic 10K HD uni-servo manual adjust with park brake assembly.

DX Part No.	Quantity	Part Description
023-222-00	1	Brake - LH
059-637-00	1	Instruction Sheet

Brake Kit - RH **K23-223-00**

Complete 12¼" x 4" hydraulic 10K HD uni-servo manual adjust with park brake assembly.

DX Part No.	Quantity	Part Description
023-223-00	1	Brake - RH
059-637-00	1	Instruction Sheet

Brake Kit - LH **K23-442-00**

Complete 12¼" x 5" electric 12K FSA brake assembly.

DX Part No.	Quantity	Part Description
023-442-00	1	Brake - LH
059-637-00	1	Instruction Sheet

Brake Kit - RH **K23-443-00**

Complete 12¼" x 5" electric 12K FSA brake assembly.

DX Part No.	Quantity	Part Description
023-443-00	1	Brake - RH
059-637-00	1	Instruction Sheet

Brake Kit - LH **K23-440-00**

Complete 12¼" x 5" electric 12K manual adjust brake assembly.

DX Part No.	Quantity	Part Description
023-440-00	1	Brake - LH
059-637-00	1	Instruction Sheet

Brake Kit - RH **K23-441-00**

Complete 12¼" x 5" electric 12K manual adjust brake assembly.

DX Part No.	Quantity	Part Description
023-441-00	1	Brake - RH
059-637-00	1	Instruction Sheet

Brake Kit - LH **K23-446-00**

Complete 12¼" x 5" electric 15K FSA brake assembly.

DX Part No.	Quantity	Part Description
023-446-00	1	Brake - LH
059-637-00	1	Instruction Sheet

Brake Kit - RH **K23-447-00**

Complete 12¼" x 5" electric 15K FSA brake assembly.

DX Part No.	Quantity	Part Description
023-447-00	1	Brake - RH
059-637-00	1	Instruction Sheet

Brake Kit - LH **K23-444-00**

Complete 12¼" x 5" electric 15K manual adjust brake assembly.

DX Part No.	Quantity	Part Description
023-444-00	1	Brake - LH
059-637-00	1	Instruction Sheet

Brake Kit - RH **K23-445-00**

Complete 12¼" x 5" electric 15K manual adjust brake assembly.

DX Part No.	Quantity	Part Description
023-445-00	1	Brake - RH
059-637-00	1	Instruction Sheet

Brake Kit - LH **K23-416-00**

Complete 12¼" x 5" hydraulic 12K uni-servo FSA brake assembly.

DX Part No.	Quantity	Part Description
023-416-00	1	Brake - LH
059-637-00	1	Instruction Sheet

Brake Kit - RH **K23-417-00**

Complete 12¼" x 5" hydraulic 12K uni-servo FSA brake assembly.

DX Part No.	Quantity	Part Description
023-417-00	1	Brake - RH
059-637-00	1	Instruction Sheet

COMPLETE BRAKE ASSEMBLIES



Brake Kit - LH **K23-408-00**

Complete 12¼" x 5" hydraulic 12K duo-servo FSA brake assembly.

DX Part No.	Quantity	Part Description
023-408-00	1	Brake - LH
059-637-00	1	Instruction Sheet

Brake Kit - RH **K23-409-00**

Complete 12¼" x 5" hydraulic 12K duo-servo FSA brake assembly.

DX Part No.	Quantity	Part Description
023-409-00	1	Brake - RH
059-637-00	1	Instruction Sheet

Brake Kit - LH **K23-165-00**

Complete 12¼" x 5" hydraulic 12K duo-servo RSA with park brake assembly.

DX Part No.	Quantity	Part Description
023-165-00	1	Brake - LH
059-637-00	1	Instruction Sheet

Brake Kit - RH **K23-166-00**

Complete 12¼" x 5" hydraulic 12K duo-servo RSA with park brake assembly.

DX Part No.	Quantity	Part Description
023-166-00	1	Brake - RH
059-637-00	1	Instruction Sheet

Brake Kit - LH **K23-228-00**

Complete 12¼" x 5" hydraulic 12K uni-servo manual adjust with park brake assembly.

DX Part No.	Quantity	Part Description
023-228-00	1	Brake - LH
059-637-00	1	Instruction Sheet

Brake Kit - RH **K23-229-00**

Complete 12¼" x 5" hydraulic 12K uni-servo manual adjust with park brake assembly.

DX Part No.	Quantity	Part Description
023-229-00	1	Brake - RH
059-637-00	1	Instruction Sheet

Brake Kit - LH **K23-406-00**

Complete 12¼" x 5" hydraulic 15K duo-servo FSA brake assembly.

DX Part No.	Quantity	Part Description
023-406-00	1	Brake - LH
059-637-00	1	Instruction Sheet

Brake Kit - RH **K23-407-00**

Complete 12¼" x 5" hydraulic 15K duo-servo FSA brake assembly.

DX Part No.	Quantity	Part Description
023-407-00	1	Brake - RH
059-637-00	1	Instruction Sheet

Brake Kit - LH **K23-162-00**

Complete 12¼" x 5" hydraulic 15K duo-servo RSA with park brake assembly.

DX Part No.	Quantity	Part Description
023-162-00	1	Brake - LH
059-637-00	1	Instruction Sheet

Brake Kit - RH **K23-163-00**

Complete 12¼" x 5" hydraulic 15K duo-servo RSA with park brake assembly.

DX Part No.	Quantity	Part Description
023-163-00	1	Brake - RH
059-637-00	1	Instruction Sheet



058-008-00

Electric Brake Controller 058-008-00

Inertia-activated electric brake controller. For use on single and tandem axle trailers.

DX Part No.	Quantity	Part Description
058-008-00	1	Electric Brake Controller



K71-650-00

E/H Actuator 1000 PSI K71-650-00

E/H Actuator for axles equipped with drum brakes.

DX Part No.	Quantity	Part Description
K71-650-00	1	E/H 1000 psi Brake Actuator

E/H Actuator 1600 PSI K71-651-00

E/H Actuator for axles equipped with disc brakes.

DX Part No.	Quantity	Part Description
K71-651-00	1	E/H 1600 psi Brake Actuator



K71-337-00

Brake Cylinder - LH **K71-640-00**

Fits Dexter 7" x 1¾" brakes. Uni-servo, 1" dia.

DX Part No.	Quantity	Part Description
054-080-03	1	Brake Cylinder

Brake Cylinder - RH **K71-641-00**

Fits Dexter 7" x 1¾" brakes. Uni-servo, 1" dia.

DX Part No.	Quantity	Part Description
054-080-04	1	Brake Cylinder

Brake Cylinder - LH **K71-337-00**

Fits Dexter 10" x 2¼" and 12" x 2" brakes. Uni-servo, 1½" dia.

DX Part No.	Quantity	Part Description
054-064-00	1	Brake Cylinder

Brake Cylinder - RH **K71-338-00**

Fits Dexter 10" x 2¼" and 12" x 2" brakes. Uni-servo, 1½" dia.

DX Part No.	Quantity	Part Description
054-065-00	1	Brake Cylinder



K71-339-00

Brake Cylinder - LH **K71-339-00**

Fits Dexter 10" x 2¼" and 12" x 2" brakes. Duo-servo, 1½" dia.

DX Part No.	Quantity	Part Description
054-062-00	1	Brake Cylinder

Brake Cylinder - RH **K71-340-00**

Fits Dexter 10" x 2¼" and 12" x 2" brakes. Duo-servo, 1½" dia.

DX Part No.	Quantity	Part Description
054-063-00	1	Brake Cylinder



K71-424-00

Brake Cylinder - LH

K71-424-00

Fits Dexter 10" x 2¼" and 12" x 2" free backing, corrosion resistant, hydraulic brakes. Uni-servo, 1½" dia.

DX Part No.	Quantity	Part Description
054-064-01	1	Brake Cylinder

Brake Cylinder - RH

K71-425-00

Fits Dexter 10" x 2¼" and 12" x 2" free backing, corrosion resistant, hydraulic brakes. Uni-servo, 1½" dia.

DX Part No.	Quantity	Part Description
054-065-01	1	Brake Cylinder



K71-081-00

Brake Cylinder Rebuild Kit

K71-080-00

Fits Dexter 12¼" x 3⅜" brakes with 1" dia. cylinder (8K).

DX Part No.	Quantity	Part Description
046-130-00	1	Spring
054-032-00	2	Boot
054-035-00	1	Bleeder Screw
054-041-00	2	Piston
054-085-00	2	Cup

Brake Cylinder Rebuild Kit

K71-081-00

Fits Dexter 12¼" x 3⅜", 12¼" x 4" and 12¼" x 5" brakes with 1¼" dia. cylinder (9K-12K).

DX Part No.	Quantity	Part Description
046-128-00	1	Spring
054-032-00	2	Boot
054-035-00	1	Bleeder Screw
054-038-00	2	Piston
054-086-00	2	Cup

Brake Cylinder Rebuild Kit

K71-082-00

Fits Dexter 12¼" x 5" brakes with 1⅜" dia. cylinder (15K).

DX Part No.	Quantity	Part Description
046-129-00	1	Spring
054-030-00	2	Piston
054-032-00	2	Boot
054-035-00	1	Bleeder Screw
054-087-00	2	Cup



K71-624-00

Caliper Replacement Kit - LH K71-624-00

For Dexter 3.5K disc brakes.

DX Part No.	Quantity	Part Description
007-256-00	2	Cap Screw
059-794-00	1	Instruction Sheet
089-004-02	1	Caliper Assembly



K71-625-00

Caliper Replacement Kit - RH K71-625-00

For Dexter 3.5K disc brakes.

DX Part No.	Quantity	Part Description
007-256-00	2	Cap Screw
059-794-00	1	Instruction Sheet
089-004-03	1	Caliper Assembly



K71-636-00

Caliper Replacement Kit **K71-636-00**

For Dexter 6K disc brakes - LH or RH.

DX Part No.	Quantity	Part Description
006-045-00	4	Hex Nut
007-254-00	4	Cap Screw
019-019-00	1	Cotter Ring
054-092-00	1	Bleeder Screw
054-094-00	1	Flare Fitting
056-038-00	1	Retaining Pin
059-799-00	1	Instruction Sheet
071-513-00	1	Brake Line
071-517-00	1	Brake Line
089-005-02	2	Caliper Assembly



K71-630-00

Caliper Replacement Kit **K71-630-00**

For Dexter 8K disc brakes - LH or RH.

DX Part No.	Quantity	Part Description
006-045-00	4	Hex Nut
007-254-00	4	Cap Screw
019-019-00	1	Cotter Ring
054-092-00	1	Bleeder Screw
054-094-00	1	Flare Fitting
056-038-00	1	Retaining Pin
059-799-00	1	Instruction Sheet
071-513-00	1	Brake Line Assembly
071-518-00	1	Brake Line Assembly
089-003-02	2	Caliper Assembly



K71-670-00

Brake Caliper Repair Kit **K71-670-00**

Fits Dexter 6K and 8K disc brake axles.

DX Part No.	Quantity	Part Description
054-090-00	4	Piston Seal
054-091-00	4	Dust Boot
054-092-00	1	Bleeder Screw
054-094-00	1	Flare Fitting



K71-181-00

Brake Caliper Repair Kit **K71-181-00**

Fits Dexter 10K and 12K disc brake axles (after 1/88).

DX Part No.	Quantity	Part Description
010-062-00	4	O-Ring
054-067-00	2	Seal for 2.50 diameter piston
054-068-00	2	Boot for 2.50 diameter piston
054-069-00	1	Bleeder Screw



K71-057-00

Magnet Kit

K71-057-00

Fits Dexter 7" x 1¼" brakes (after 4/1/90) and 10" x 1½" brakes (prior to 9/1/88). 7" brakes prior to 4/1/90 require replacing the lever arms. Use 047-114-01 or 047-115-01 with magnet kit K71-057-00.

DX Part No.	Quantity	Part Description
042-134-00	1	Magnet Assembly (white wire)
046-086-00	1	Spring
046-121-00	1	Retainer
059-511-00	1	Instruction Sheet



K71-177-00

Magnet Kit

K71-177-00

Fits Dexter 10" x 1½" brakes (after 9/1/88).

DX Part No.	Quantity	Part Description
027-009-00	1	Retainer
042-123-00	1	Magnet Assembly (yellow wire)
046-080-00	1	Spring
059-511-00	1	Instruction Sheet



K71-104-00

Magnet Kit

K71-104-00

Fits Dexter 10" x 2¼" brakes (3.5K).

DX Part No.	Quantity	Part Description
027-009-00	1	Retainer
042-097-01	1	Magnet Assembly (green wire)
046-080-00	1	Spring
059-511-00	1	Instruction Sheet



K71-441-00

Magnet Kit

K71-441-00

Fits Dexter 12¼" x 2½" (7.2K) electric brakes. Used with actuating lever kit 047-124-04 or 047-125-04.

DX Part No.	Quantity	Part Description
027-050-00	1	Magnet Retainer
042-136-00	1	Magnet Assembly (red wire)
046-117-00	1	Magnet Spring
059-511-00	1	Instruction Sheet

Magnet Kit

K71-105-00

Fits Dexter 10" x 2¼" (4.4K) and 12" x 2" brakes (5.2K & 6K).

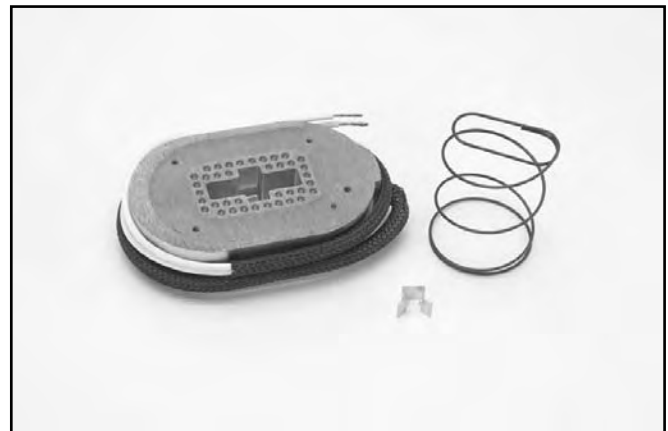
DX Part No.	Quantity	Part Description
027-009-00	1	Retainer
042-099-01	1	Magnet Assembly (white wire)
046-080-00	1	Spring
059-511-00	1	Instruction Sheet

Magnet Kit

K71-125-00

Fits Dexter 12" x 2" brakes (7K).

DX Part No.	Quantity	Part Description
027-009-00	1	Retainer
042-101-01	1	Magnet Assembly (black wire)
046-080-00	1	Spring
059-511-00	1	Instruction Sheet



K71-375-00

Magnet Kit

K71-375-00

Fits Dexter 12¼" x 3⅜" (8K) electric brakes (after 6/92). Used with actuating lever kit 047-123-06 or 047-123-05.

DX Part No.	Quantity	Part Description
027-050-00	1	Magnet Retainer
042-127-00	1	Magnet Assembly (white wire)
046-117-00	1	Magnet Spring
059-511-00	1	Instruction Sheet



K71-377-00

Magnet Kit

K71-376-00

Fits Dexter 12¼" x 3⅜" (9-10K) or 12¼" x 4" (10K) electric brakes (after 6/92). Used with actuating lever kit 047-123-06 or 047-123-05.

DX Part No.	Quantity	Part Description
027-050-00	1	Magnet Retainer
042-129-00	1	Magnet Assembly (yellow wire)
046-117-00	1	Magnet Spring
059-511-00	1	Instruction Sheet

Magnet Kit

K71-377-00

Fits Dexter 12¼" x 5" (12K) electric brakes (after 6/92). Used with actuating lever kit 047-123-24 or 047-123-23.

DX Part No.	Quantity	Part Description
027-050-00	1	Magnet Retainer
042-130-00	1	Magnet Assembly (black wire)
046-117-00	1	Magnet Spring
059-511-00	1	Instruction Sheet

Magnet Kit

K71-378-00

Fits Dexter 12¼" x 5" (15K) electric brakes (after 6/92). Used with actuating lever kit 047-123-24 or 047-123-23.

DX Part No.	Quantity	Part Description
027-050-00	1	Magnet Retainer
042-131-00	1	Magnet Assembly (blue wire)
046-117-00	1	Magnet Spring
059-511-00	1	Instruction Sheet



K71-045-00

Brake Shoe & Lining Kit

K71-045-00

Fits Dexter 7" x 1¼" electric brakes.

DX Part No.	Quantity	Part Description
040-125-00	1	Primary Shoe & Lining
040-049-00	1	Secondary Shoe & Lining
059-043-00	1	Instruction Sheet



K71-466-00

Brake Shoe & Lining Kit

K71-466-00

Fits Dexter 7" x 1¼" hydraulic brakes.

DX Part No.	Quantity	Part Description
035-001-00	4	Shoe Hold Down Spring Cup
040-327-01	1	Primary Shoe & Lining
040-328-01	1	Secondary Shoe & Lining
046-006-00	2	Shoe Hold Down Spring
049-014-00	2	Hold Down Pin "A"
059-581-00	1	Instruction Sheet



K71-046-00

Brake Shoe & Lining Kit K71-046-00

Fits Dexter 10" x 1½" electric brakes.

DX Part No.	Quantity	Part Description
040-129-00	1	Primary Shoe & Lining
040-130-00	1	Secondary Shoe & Lining
046-077-00	2	Shoe Hold Down Spring
049-009-00	2	Hold Down Pin *T*
059-044-00	1	Instruction Sheet



K71-672-00

Brake Shoe & Lining Kit K71-672-00

Fits Dexter 10" x 2¼" electric brakes for D44 axles.

DX Part No.	Quantity	Part Description
040-361-00	1	Primary Shoe & Lining
040-362-00	1	Secondary Shoe & Lining
046-077-00	2	Shoe Hold Down Spring
049-002-00	2	Hold Down Pin *8*
059-045-00	1	Instruction Sheet



K71-047-00

Brake Shoe & Lining Kit K71-047-00

Fits Dexter 10" x 2¼" electric brakes.

DX Part No.	Quantity	Part Description
040-017-00	1	Primary Shoe & Lining
040-021-00	1	Secondary Shoe & Lining
046-077-00	2	Shoe Hold Down Spring
049-002-00	2	Hold Down Pin *8*
059-045-00	1	Instruction Sheet



K71-267-00

Brake Shoe & Lining Kit K71-267-00

Fits Dexter 10" x 2¼" hydraulic brakes.

DX Part No.	Quantity	Part Description
040-210-00	1	Primary Shoe & Lining
040-211-00	1	Secondary Shoe & Lining
046-077-00	2	Shoe Hold Down Spring
049-002-00	2	Hold Down Pin *8*
059-260-00	1	Instruction Sheet



K71-393-00

Brake Shoe & Lining Kit **K71-393-00**

Fits Dexter 10" x 2¼" free backing hydraulic brakes.

DX Part No.	Quantity	Part Description
040-291-00	1	Primary Shoe & Lining
040-211-00	1	Secondary Shoe & Lining
046-077-00	2	Shoe Hold Down Spring
049-002-00	2	Hold Down Pin *8*
059-818-00	1	Instruction Sheet



K71-127-00

Brake Shoe & Lining Kit **K71-127-00**

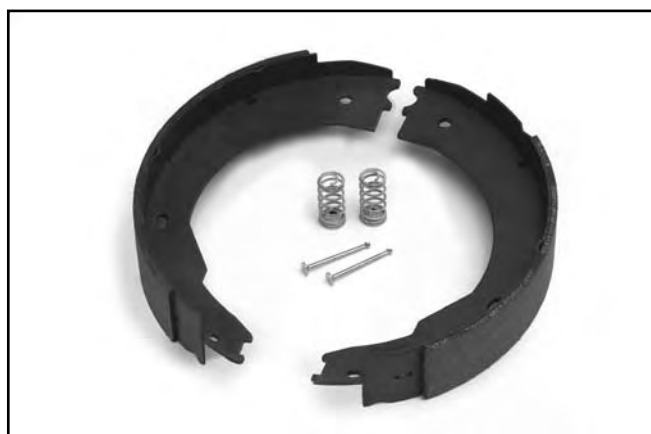
Fits Dexter 12" x 2" electric brakes (6K CSA, 7K).

DX Part No.	Quantity	Part Description
040-215-00	1	Primary Shoe & Lining
040-216-00	1	Secondary Shoe & Lining
046-077-00	2	Shoe Hold Down Spring
049-011-00	2	Hold Down Pin *2*
059-045-00	1	Instruction Sheet

Brake Shoe & Lining Kit **K71-423-00**

Fits Dexter 10" x 2¼" free backing, corrosion resistant, hydraulic brakes.

DX Part No.	Quantity	Part Description
040-291-03	1	Primary Shoe & Lining
040-292-03	1	Secondary Shoe & Lining
046-077-01	2	Shoe Hold Down Spring & Cup
049-002-00	2	Hold Down Pin *8*
059-818-00	1	Instruction Sheet



K71-048-00

Brake Shoe & Lining Kit **K71-048-00**

Fits Dexter 12" x 2" brakes (DXQ 5.2K CSA).

DX Part No.	Quantity	Part Description
040-044-00	1	Primary Shoe & Lining
040-045-00	1	Secondary Shoe & Lining
046-077-00	2	Shoe Hold Down Spring
049-011-00	2	Hold Down Pin *2*
059-045-00	1	Instruction Sheet



K71-268-00

Brake Shoe & Lining Kit **K71-268-00**

Fits Dexter 12" x 2" hydraulic brakes (5.2K).

DX Part No.	Quantity	Part Description
040-204-00	1	Primary Shoe & Lining
040-206-00	1	Secondary Shoe & Lining
046-077-00	2	Shoe Hold Down Spring
049-012-00	2	Hold Down Pin *4*
059-260-00	1	Instruction Sheet



K71-394-00

Brake Shoe & Lining Kit - LH **K71-394-00**

Fits Dexter 12" x 2" free backing hydraulic brakes.

DX Part No.	Quantity	Part Description
035-001-00	2	Shoe Hold Down Cup, Primary
040-243-08	1	Primary Shoe & Lining
040-315-02	1	Secondary Shoe & Lining Assembly
046-077-00	1	Secondary Shoe Hold Down Spring
046-006-00	1	Shoe Hold Down Spring, Primary
049-013-00	1	Hold Down Pin *1*, Primary
049-002-00	1	Hold Down Pin *8*, Secondary
059-818-00	1	Instruction Sheet

Brake Shoe & Lining Kit - RH **K71-395-00**

Fits Dexter 12" x 2" free backing hydraulic brakes.

DX Part No.	Quantity	Part Description
035-001-00	2	Shoe Hold Down Cup, Primary
040-243-09	1	Primary Shoe & Lining
040-315-01	1	Secondary Shoe & Lining Assembly
046-077-00	1	Secondary Shoe Hold Down Spring
046-006-00	1	Shoe Hold Down Spring, Primary
049-013-00	1	Hold Down Pin *1*, Primary
049-002-00	1	Hold Down Pin *8*, Secondary
059-818-00	1	Instruction Sheet



K71-269-00

Brake Shoe & Lining Kit - LH K71-269-00

Fits Dexter 12" x 2" hydraulic brakes (7K).

DX Part No.	Quantity	Part Description
040-219-00	1	Primary Shoe & Lining
040-218-02	1	Secondary Shoe & Lining
046-077-00	2	Shoe Hold Down Spring
049-012-00	2	Hold Down Pin *4*
059-260-00	1	Instruction Sheet

Brake Shoe & Lining Kit - RH K71-270-00

Fits Dexter 12" x 2" hydraulic brakes (7K).

DX Part No.	Quantity	Part Description
040-219-00	1	Primary Shoe & Lining
040-218-01	1	Secondary Shoe & Lining
046-077-00	2	Shoe Hold Down Spring
049-012-00	2	Hold Down Pin *4*
059-260-00	1	Instruction Sheet



K71-427-00

Brake Shoe & Lining Kit - LH K71-427-00

Fits Dexter 12" x 2" free backing, corrosion resistant, hydraulic brakes.

DX Part No.	Quantity	Part Description
035-001-00	2	Hold Down Cup, Primary
040-243-06	1	Primary Shoe & Lining Assembly
040-315-06	1	Secondary Shoe & Lining Assembly
046-077-01	1	Shoe Hold Down Spring and Cup
046-006-01	1	Hold Down Spring, Primary
049-002-00	1	Hold Down Pin *8*, Secondary
049-013-00	1	Hold Down Pin *1*, Primary
059-818-00	1	Instruction Sheet

Brake Shoe & Lining Kit - RH K71-428-00

Fits Dexter 12" x 2" free backing, corrosion resistant, hydraulic brakes.

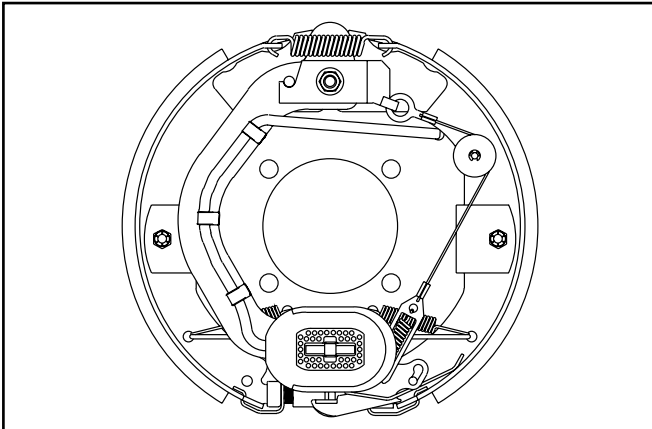
DX Part No.	Quantity	Part Description
035-001-00	2	Hold Down Cup, Primary
040-243-07	1	Primary Shoe & Lining Assembly
040-315-05	1	Secondary Shoe & Lining Assembly
046-077-01	1	Shoe Hold Down Spring and Cup
046-006-01	1	Hold Down Spring, Primary
049-002-00	1	Hold Down Pin *8*, Secondary
049-013-00	1	Hold Down Pin *1*, Primary
059-818-00	1	Instruction Sheet



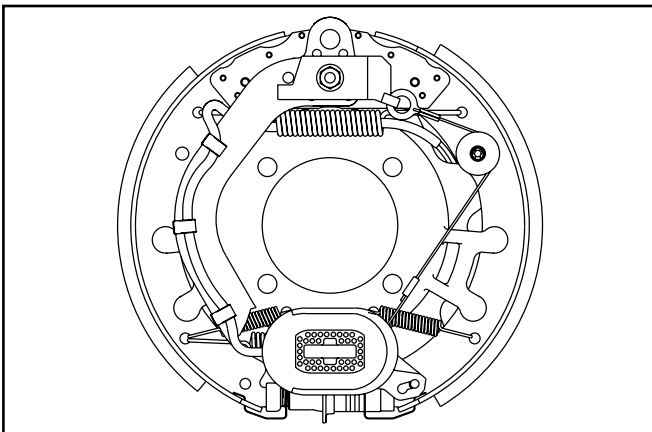
12¼" Electric Brakes

Please note that there are two styles of brakes with different shoe and lining kits. In April 2000, Dexter began manufacturing brakes with **Cast Backing Plates** rather than the old style **Stamped Backing Plates**.

Please verify which style of brake you have to ensure proper shoe and lining kit.



**Old Style Brake
Stamped Backing Plate**



**New Style Brake
Cast Backing Plate**



K71-410-00

Brake Shoe & Lining Kit **K71-410-00**

Stamped Backing Plate (prior to 4/00)

Fits Dexter 12¼" x 2½" electric brakes (7.2K). Services one brake, left or right.

DX Part No.	Quantity	Part Description
005-107-00	2	Washer Shoe Hold Down
006-127-00	2	Locknut
040-309-01	1	Primary Shoe & Lining LH or Secondary Shoe & Lining RH
040-310-01	1	Primary Shoe & Lining RH or Secondary Shoe & Lining LH



K71-497-00

Brake Shoe & Lining Kit - LH K71-497-00

Cast Backing Plate (as of 4/00)

Fits Dexter 12¼" x 2½" electric brakes (7.2K).

DX Part No.	Quantity	Part Description
040-348-01	1	Primary Shoe & Lining
040-349-02	1	Secondary Shoe & Lining
059-653-00	1	Instruction Sheet

Brake Shoe & Lining Kit - RH K71-496-00

Cast Backing Plate (as of 4/00)

Fits Dexter 12¼" x 2½" electric brakes (7.2K).

DX Part No.	Quantity	Part Description
040-349-01	1	Primary Shoe & Lining
040-348-02	1	Secondary Shoe & Lining
059-653-00	1	Instruction Sheet



K71-049-00

Brake Shoe & Lining Kit - LH K71-049-00

Stamped Backing Plate (prior to 4/00)

Fits Dexter 12¼" x 3⅜" electric brakes (8K, 9K, 10K GD).

DX Part No.	Quantity	Part Description
005-107-00	2	Shoe Hold Down Washer
006-127-00	2	Locknut
040-110-01	1	Primary Shoe & Lining
040-111-02	1	Secondary Shoe & Lining
059-046-00	1	Instruction Sheet

Brake Shoe & Lining Kit - RH K71-050-00

Stamped Backing Plate (prior to 4/00)

Fits Dexter 12¼" x 3⅜" electric brakes (8K, 9K, 10K GD).

DX Part No.	Quantity	Part Description
005-107-00	2	Shoe Hold Down Washer
006-127-00	2	Locknut
040-111-01	1	Primary Shoe & Lining
040-110-02	1	Secondary Shoe & Lining
059-046-00	1	Instruction Sheet



K71-499-00

Brake Shoe & Lining Kit - LH **K71-499-00**

Cast Backing Plate (as of 4/00)

Fits Dexter 12¼" x 3⅜" electric brakes (8K, 9K, 10K GD).

DX Part No.	Quantity	Part Description
040-350-01	1	Primary Shoe & Lining
040-351-02	1	Secondary Shoe & Lining
059-653-00	1	Instruction Sheet

Brake Shoe & Lining Kit - RH **K71-498-00**

Cast Backing Plate (as of 4/00)

Fits Dexter 12¼" x 3⅜" electric brakes (8K, 9K, 10K GD).

DX Part No.	Quantity	Part Description
040-351-01	1	Primary Shoe & Lining
040-350-02	1	Secondary Shoe & Lining
059-653-00	1	Instruction Sheet



K71-165-00

Brake Shoe & Lining Kit - LH **K71-165-00**

Fits Dexter 12¼" x 3⅜" hydraulic brakes (8K, 9K, 10K GD).

DX Part No.	Quantity	Part Description
005-107-00	2	Shoe Hold Down Washer
006-086-00	2	Locknut
040-199-01	1	Primary Shoe & Lining
040-199-02	1	Secondary Shoe & Lining
059-101-00	1	Instruction Sheet

Brake Shoe & Lining Kit - RH **K71-166-00**

Fits Dexter 12¼" x 3⅜" hydraulic brakes (8K, 9K, 10K GD).

DX Part No.	Quantity	Part Description
005-107-00	2	Shoe Hold Down Washer
006-086-00	2	Locknut
040-200-01	1	Primary Shoe & Lining
040-200-02	1	Secondary Shoe & Lining
059-101-00	1	Instruction Sheet

Brake Shoe & Lining Kit - LH **K71-437-00**

Fits Dexter 12¼" x 3⅜" corrosion resistant, hydraulic brakes (8K, 9K, 10K GD).

DX Part No.	Quantity	Part Description
005-107-02	2	Shoe Hold Down Washer
006-086-00	2	Locknut
040-199-05	1	Primary Shoe & Lining
040-199-06	1	Secondary Shoe & Lining
059-101-00	1	Instruction Sheet

BRAKE COMPONENTS



Brake Shoe & Lining Kit - RH K71-438-00

Fits Dexter 12¼" x 3⅜" corrosion resistant, hydraulic brakes (8K, 9K, 10K GD).

DX Part No.	Quantity	Part Description
005-107-02	2	Shoe Hold Down Washer
006-086-00	2	Locknut
040-200-05	1	Primary Shoe & Lining
040-200-06	1	Secondary Shoe & Lining
059-101-00	1	Instruction Sheet



K71-444-00

Tag Brake Shoe & Lining Kit - LH K71-444-00

Fits Dexter 12¼" x 3⅜" hydraulic brakes.

DX Part No.	Quantity	Part Description
005-107-00	2	Shoe Hold Down Washer
006-086-00	2	Locknut
040-317-01	1	Primary Shoe & Lining
040-317-02	1	Secondary Shoe & Lining
059-101-00	1	Instruction Sheet

Tag Brake Shoe & Lining Kit - RH K71-445-00

Fits Dexter 12¼" x 3⅜" hydraulic brakes.

DX Part No.	Quantity	Part Description
005-107-00	2	Shoe Hold Down Washer
006-086-00	2	Locknut
040-316-01	1	Primary Shoe & Lining
040-316-02	1	Secondary Shoe & Lining
059-101-00	1	Instruction Sheet



K71-051-00

Brake Shoe & Lining Kit - LH K71-051-00

Stamped Backing Plate (prior to 4/00)

Fits Dexter 12¼" x 4" electric brakes (10K HD).

DX Part No.	Quantity	Part Description
005-107-00	2	Shoe Hold Down Washer
006-127-00	2	Locknut
040-108-01	1	Primary Shoe & Lining
040-109-02	1	Secondary Shoe & Lining
059-046-00	1	Instruction Sheet

Brake Shoe & Lining Kit - RH K71-052-00

Stamped Backing Plate (prior to 4/00)

Fits Dexter 12¼" x 4" electric brakes (10K HD).

DX Part No.	Quantity	Part Description
005-107-00	2	Shoe Hold Down Washer
006-127-00	2	Locknut
040-109-01	1	Primary Shoe & Lining
040-108-02	1	Secondary Shoe & Lining
059-046-00	1	Instruction Sheet



K71-501-00

Brake Shoe & Lining Kit - LH K71-501-00

Cast Backing Plate (as of 4/00)

Fits Dexter 12¼" x 4" electric brakes (10K HD).

DX Part No.	Quantity	Part Description
040-352-01	1	Primary Shoe & Lining
040-353-02	1	Secondary Shoe & Lining
059-653-00	1	Instruction Sheet

Brake Shoe & Lining Kit - RH K71-500-00

Cast Backing Plate (as of 4/00)

Fits Dexter 12¼" x 4" electric brakes (10K HD).

DX Part No.	Quantity	Part Description
040-353-01	1	Primary Shoe & Lining
040-352-02	1	Secondary Shoe & Lining
059-653-00	1	Instruction Sheet



K71-167-00

Brake Shoe & Lining Kit - LH K71-167-00

Fits Dexter 12¼" x 4" hydraulic brakes (10K HD).

DX Part No.	Quantity	Part Description
005-107-00	2	Shoe Hold Down Washer
006-086-00	2	Locknut
040-197-01	1	Primary Shoe & Lining
040-197-02	1	Secondary Shoe & Lining
059-101-00	1	Instruction Sheet

Brake Shoe & Lining Kit - RH K71-168-00

Fits Dexter 12¼" x 4" hydraulic brakes (10K HD).

DX Part No.	Quantity	Part Description
005-107-00	2	Shoe Hold Down Washer
006-086-00	2	Locknut
040-198-01	1	Primary Shoe & Lining
040-198-02	1	Secondary Shoe & Lining
059-101-00	1	Instruction Sheet



K71-053-00

Brake Shoe & Lining Kit - LH K71-053-00

Stamped Backing Plate (prior to 4/00)
Fits Dexter 12 $\frac{1}{4}$ " x 5" electric brakes (12K-15K).

DX Part No.	Quantity	Part Description
005-107-00	2	Shoe Hold Down Washer
006-127-00	2	Locknut
040-102-01	1	Primary Shoe & Lining
040-103-02	1	Secondary Shoe & Lining
059-046-00	1	Instruction Sheet

Brake Shoe & Lining Kit - RH K71-054-00

Stamped Backing Plate (prior to 4/00)
Fits Dexter 12 $\frac{1}{4}$ " x 5" electric brakes (12K-15K).

DX Part No.	Quantity	Part Description
005-107-00	2	Shoe Hold Down Washer
006-127-00	2	Locknut
040-103-01	1	Primary Shoe & Lining
040-102-02	1	Secondary Shoe & Lining
059-046-00	1	Instruction Sheet



K71-503-00

Brake Shoe & Lining Kit - LH K71-503-00

Cast Backing Plate (as of 4/00)
Fits Dexter 12 $\frac{1}{4}$ " x 5" electric brakes (12K-15K).

DX Part No.	Quantity	Part Description
040-354-01	1	Primary Shoe & Lining
040-355-02	1	Secondary Shoe & Lining
059-653-00	1	Instruction Sheet

Brake Shoe & Lining Kit - RH K71-502-00

Cast Backing Plate (as of 4/00)
Fits Dexter 12 $\frac{1}{4}$ " x 5" electric brakes (12K-15K).

DX Part No.	Quantity	Part Description
040-355-01	1	Primary Shoe & Lining
040-354-02	1	Secondary Shoe & Lining
059-653-00	1	Instruction Sheet



K71-169-00

Brake Shoe & Lining Kit - LH **K71-169-00**

Fits Dexter 12¼" x 5" hydraulic brakes (12K-15K).

DX Part No.	Quantity	Part Description
005-107-00	2	Shoe Hold Down Washer
006-086-00	2	Locknut
040-195-01	1	Primary Shoe & Lining
040-195-02	1	Secondary Shoe & Lining
059-101-00	1	Instruction Sheet

Brake Shoe & Lining Kit - RH **K71-170-00**

Fits Dexter 12¼" x 5" hydraulic brakes (12K-15K).

DX Part No.	Quantity	Part Description
005-107-00	2	Shoe Hold Down Washer
006-086-00	2	Locknut
040-196-01	1	Primary Shoe & Lining
040-196-02	1	Secondary Shoe & Lining
059-101-00	1	Instruction Sheet



K71-102-00

Brake Block Kit **K71-102-00**

For one Dexter 12¼" x 4" brake.

DX Part No.	Quantity	Part Description
022-018-00	24	Rivet
041-052-01	2	Brake Block
041-052-02	2	Brake Block
059-191-00	1	Instruction Sheet



K71-152-00

Brake Block Kit **K71-152-00**

For one Dexter 12¼" x 5" brake.

DX Part No.	Quantity	Part Description
022-018-00	24	Rivet
041-053-01	2	Brake Block
041-053-02	2	Brake Block
059-191-00	1	Instruction Sheet



K71-133-00

Brake Block Kit

K71-133-00

For one Dexter 12 $\frac{1}{4}$ " x 7 $\frac{1}{2}$ " brake.

DX Part No.	Quantity	Part Description
022-018-00	48	Rivet
041-057-01	2	Brake Block
041-060-01	2	Brake Block
059-191-00	1	Instruction Sheet



K71-180-00

Disc Brake Pad Kit

K71-180-00

For one Dexter 10K or 12K axle.

DX Part No.	Quantity	Part Description
006-125-00	4	Nut
046-105-00	4	Anti-Rattle Spring
088-008-00	1	Grease Packet
071-182-00	1	Installation Tool
091-003-00	4	Brake Pad
010-062-00	20	O-Rings
059-214-00	1	Instruction Sheet



K71-138-00

Brake Block Kit

K71-138-00

For one Dexter 16 $\frac{1}{2}$ " x 7" air brake.

DX Part No.	Quantity	Part Description
022-018-00	48	Rivet
041-058-01	2	Brake Block
041-059-01	2	Brake Block
059-191-00	1	Instruction Sheet



K71-623-00

Brake Pad Replacement Kit

K71-623-00

For Dexter 3.5K disc brakes. Services two brakes.

DX Part No.	Quantity	Part Description
059-793-00	1	Instruction Sheet
091-006-00	1	Brake Pad Set (includes 4)



K71-629-00

Brake Pad Replacement Kit **K71-629-00**

For Dexter 6K and 8K disc brakes. Services two brakes.

DX Part No.	Quantity	Part Description
019-019-00	2	Cotter Ring
056-038-00	2	Retaining Pin
059-798-00	1	Instruction Sheet
091-004-00	4	Brake Pad



K71-098-00

Brake Shoe Hardware Kit **K71-098-00**

Fits "P" style Dexter 10K-27K, 12¼" air brake axles. For one brake.

DX Part No.	Quantity	Part Description
005-072-00	4	Anchor Pin Washer (10K)
005-073-00	4	Anchor Pin Washer (12K - 27K)
005-076-00	2	Roller Pin Spacer
007-137-00	1	Anchor Pin Clamping Screw (prior to 4/93)
014-057-00	2	Roller
014-104-00	2	Bushing - Spider Anchor Pins (after 4/93)
046-092-00	1	Retractor Spring
056-010-00	2	Roller Pin
056-011-00	2	Anchor Pin
056-012-00	2	Retainer Pin, Retractor Spring
069-018-00	2	Roller Pin Retainer
069-019-00	4	Anchor Pin Retainer
059-552-00	1	Instruction Sheet



K71-460-00

Brake Shoe Hardware Kit **K71-460-00**

Fits "PQ" style Dexter 10-27K, 12¼" air brake axles. For one brake.

DX Part No.	Quantity	Part Description
005-076-00	2	Washer
014-057-00	2	Roller
014-068-00	2	Bushing
046-092-00	1	Retractor Spring
046-097-00	2	Shoe Keeper Spring
056-010-00	2	Knurled Roller Pin
056-017-00	2	Anchor Pin
056-018-00	2	Retainer Pin
069-018-00	2	Snap Ring for .750 shaft
059-553-00	1	Instruction Sheet



K71-136-00

Brake Shoe Hardware Kit **K71-136-00**

Fits all "Q" quick change Dexter 16½" x 7" air brake axles. For one brake.

DX Part No.	Quantity	Part Description
014-065-00	2	Roller
014-068-00	2	Spider Bushing
046-096-00	1	Retractor Spring 16½" Brake-Orange
046-097-00	2	Keeper Spring
056-017-00	2	Anchor Pin
056-018-00	2	Spring Retainer
071-122-00	2	Roller Retainer
059-554-00	1	Instruction Sheet



K71-461-00

Torflex® 90° Hose Kit K71-461-00

Designed for tight clearance applications. Fits all torflex® axles.

DX Part No.	Quantity	Part Description
007-222-00	2	Thread Forming Screw
027-051-00	2	Loop Clamp
034-257-00	2	Brake Hose Assembly 90°
034-258-00	2	Frame/Hose Bracket
034-259-00	2	Hose Clip
059-575-00	1	Instruction Sheet



K71-399-00

Electric Brake Parts Kit K71-399-00

Contains extra heat shrink caps, magnet retainer clips, wire clips, plugs, wire grommets and wire connectors for repairing Dexter brakes.

DX Part No.	Quantity	Part Description
027-005-00	6	Wire Clip
027-009-00	2	Magnet Retainer Clip
027-027-00	4	Heat Shrink Cap
027-039-00	6	Wire Clip
027-050-00	2	Magnet Retainer Clip
046-007-00	2	Plug
046-016-00	2	Wire Grommet
046-121-00	2	Magnet Retainer Clip
067-006-00	4	Wire Connector



K71-278-00

Conduit Connector Kit **K71-278-00**

For 10" x 2¼" and 12" x 2" electric brakes.

DX Part No.	Quantity	Part Description
005-138-00	1	Washer
006-099-00	1	Nut
007-120-00	2	Screw
007-220-00	1	Screw
022-026-00	2	Rivet
027-036-00	2	Conduit Connectors
027-037-00	2	Retainers
059-577-00	1	Instruction Sheet



K71-101-00

Camshaft Repair Kit **K71-101-00**

Fits "P" and "PQ" style Dexter 10K, 12K and 15K, and 12¼" x 7½" air brake axles. For one brake.

DX Part No.	Quantity	Part Description
005-074-00	1	D Washer Camshaft
005-075-00	2	Camshaft Washer
005-134-00	1	Plain Washer
010-052-00	2	Seal
014-056-00	1	Camshaft Bushing
014-058-00	1	Camshaft Support Bushing
061-006-00	1	Grease Fitting
069-020-00	2	Camshaft Retainer
069-078-00	1	Snap Ring
059-663-00	1	Instruction Sheet



K71-135-00

Camshaft Repair Kit

K71-135-00

Fits all "Q" quick change Dexter 16½" x 7" air brake axles. For one brake.

DX Part No.	Quantity	Part Description
005-096-00	1	Camshaft Washer
005-097-00	2	Camshaft Washer
005-134-00	1	Plain Washer
010-052-00	2	Seal
014-056-00	1	Camshaft Bushing
014-058-00	1	Camshaft Support Bushing
061-006-00	1	Grease Fitting
069-020-00	2	Camshaft Retainer
069-078-00	1	Snap Ring
059-554-00	1	Instruction Sheet



K71-361-00

Brake Spring Kit

K71-361-00

For Dexter 7" electric brakes.

DX Part No.	Quantity	Part Description
046-022-00	1	Adjusting Screw Spring
046-023-00	2	Shoe Hold Down Spring
046-024-00	1	Retractor Spring
046-086-00	1	Magnet Spring
046-114-00	2	Shoe Centering Spring



K71-362-00

Brake Spring Kit

K71-362-00

For one Dexter 10" x 1½" brake.

DX Part No.	Quantity	Part Description
046-018-00	1	Adjusting Screw Spring
046-077-00	2	Shoe Hold Down Spring
046-080-00	1	Magnet Spring
046-084-00	1	Retractor Spring



K71-363-00

Brake Spring Kit **K71-363-00**

For Dexter 10" x 2¼" and 12" x 2" electric brakes without parking feature.

DX Part No.	Quantity	Part Description
046-009-00	2	Retractor Spring
046-018-00	1	Adjusting Screw Spring
046-077-00	2	Shoe Hold Down Spring
046-080-00	1	Magnet Spring



K71-434-00

Brake Spring Kit **K71-434-00**

For one Dexter 12" x 2" free backing, corrosion resistant, hydraulic brake.

DX Part No.	Quantity	Part Description
035-001-00	2	Cup
046-006-01	1	Shoe Hold Down
046-077-01	1	Hold Down Spring & Cup
046-101-01	1	Retractor Spring
046-107-03	1	Shoe Lever Retractor Spring
046-108-03	1	Primary Shoe Return Spring
046-123-01	1	Adjusting Screw Spring



K71-426-00

Brake Spring Kit **K71-426-00**

For one Dexter 10" x 2¼" free backing, corrosion resistant, hydraulic brake.

DX Part No.	Quantity	Part Description
046-009-01	1	Retractor Spring
046-077-01	2	Hold Down Spring & Cup
046-083-01	1	Adjusting Screw Spring
046-107-03	1	Shoe Lever Retractor Spring
046-108-03	1	Primary Shoe Return Spring



K71-412-00

Brake Spring Kit **K71-412-00**

For one Dexter 12¼" x 2½" electric brake (7.2K) with stamped backing plate.

DX Part No.	Quantity	Part Description
046-018-00	1	Adjusting Screw Spring
046-117-00	1	Magnet Spring
046-119-00	1	Retractor Spring
046-120-00	2	Shoe Centering Spring



K71-421-00

Brake Spring Kit **K71-421-00**

For one Dexter 12 $\frac{1}{4}$ " x 3 $\frac{3}{8}$ ", 12 $\frac{1}{4}$ " x 4" and 12 $\frac{1}{4}$ " x 5" electric brake with stamped backing plate.

DX Part No.	Quantity	Part Description
046-071-00	1	Rear Retractor Spring
046-072-00	1	Adjusting Screw Spring
046-083-00	1	Front Retractor Spring
046-136-00	2	Centering Spring
059-659-00	1	Instruction Sheet



K71-422-00

Brake Spring Kit **K71-422-00**

For one Dexter 12 $\frac{1}{4}$ " x 3 $\frac{3}{8}$ ", 12 $\frac{1}{4}$ " x 4" and 12 $\frac{1}{4}$ " x 5" hydraulic brake.

DX Part No.	Quantity	Part Description
046-072-00	1	Adjusting Screw Spring
046-087-00	1	Retractor Spring



K71-506-00

Brake Spring Kit **K71-506-00**

For one Dexter 12 $\frac{1}{4}$ " x 3 $\frac{3}{8}$ ", 12 $\frac{1}{4}$ " x 4" and 12 $\frac{1}{4}$ " x 5" electric brake with cast backing plate.

DX Part No.	Quantity	Part Description
046-119-00	1	Retractor Spring
046-136-00	2	Centering Springs
046-137-00	1	Adjustor Spring



K71-440-00

Brake Spring Kit **K71-440-00**

For one Dexter 12 $\frac{1}{4}$ " x 3 $\frac{3}{8}$ ", 12 $\frac{1}{4}$ " x 4" and 12 $\frac{1}{4}$ " x 5" corrosion resistant, hydraulic brake.

DX Part No.	Quantity	Part Description
046-072-01	1	Adjusting Screw Spring
046-087-01	1	Retractor Spring



K71-323-00

Adjusting Screw & Spring K71-323-00

Fits Dexter 7" electric brakes.

DX Part No.	Quantity	Part Description
043-021-00	1	Adjusting Screw
046-022-00	1	Adjusting Screw Spring



K71-397-00

Adjusting Screw & Spring K71-397-00

Fits Dexter 10" x 2¼" free backing hydraulic brakes.

DX Part No.	Quantity	Part Description
043-004-02	1	Adjusting Screw
046-083-01	1	Adjusting Screw Spring



K71-324-00

Adjusting Screw & Spring K71-324-00

Fits Dexter 10" x 1½" & 10" x 2¼" hydraulic and electric, and 12" x 2" electric brakes.

DX Part No.	Quantity	Part Description
043-004-02	1	Adjusting Screw
046-018-00	1	Adjusting Screw Spring



K71-396-00

Adjusting Screw & Spring K71-396-00

Fits Dexter 12" x 2" hydraulic brakes.

DX Part No.	Quantity	Part Description
043-029-01	1	Adjusting Screw
046-102-00	1	Adjusting Screw Spring



K71-398-00

Adjusting Screw & Spring **K71-398-00**

Fits Dexter 12" x 2" free backing hydraulic brakes.

DX Part No.	Quantity	Part Description
043-028-00	1	Adjusting Screw
046-123-01	1	Adjusting Screw Spring



K71-418-00

Brake Adjuster Kit **K71-418-00**

For one Dexter 12 $\frac{1}{4}$ " x 3 $\frac{3}{8}$ ", 12 $\frac{1}{4}$ " x 4" and 12 $\frac{1}{4}$ " x 5" electric brake with stamped backing plate.

DX Part No.	Quantity	Part Description
046-073-00	1	Lever Spring, LH
046-074-00	1	Lever Spring, RH
048-009-00	1	Adjusting Screw Assembly, LH
048-010-00	1	Adjusting Screw Assembly, RH
071-019-01	1	Adjusting Lever, LH
071-019-02	1	Adjusting Lever, RH
071-020-00	2	Adjusting Cable



K71-411-00

Adjusting Screw & Spring **K71-411-00**

Fits Dexter 12 $\frac{1}{4}$ " x 2 $\frac{1}{2}$ " electric brakes (7.2K) and all 12 $\frac{1}{4}$ " manual adjust brakes.

DX Part No.	Quantity	Part Description
046-018-00	1	Adjusting Screw Spring
048-017-00	1	Adjusting Screw

Brake Adjuster Kit - LH **K71-504-00**

For one Dexter 12 $\frac{1}{4}$ " x 3 $\frac{3}{8}$ ", 12 $\frac{1}{4}$ " x 4" and 12 $\frac{1}{4}$ " x 5" electric brake with cast backing plate.

DX Part No.	Quantity	Part Description
048-019-00	1	Adjusting Screw Assembly, LH
071-462-00	1	Adjuster Cable
071-464-00	1	Adjusting Lever, LH

Brake Adjuster Kit - RH **K71-505-00**

For one Dexter 12 $\frac{1}{4}$ " x 3 $\frac{3}{8}$ ", 12 $\frac{1}{4}$ " x 4" and 12 $\frac{1}{4}$ " x 5" electric brake with cast backing plate.

DX Part No.	Quantity	Part Description
048-020-00	1	Adjusting Screw Assembly, RH
071-462-00	1	Adjuster Cable
071-463-00	1	Adjusting Lever, RH



K71-417-00

Brake Adjuster Kit K71-417-00

For one Dexter 12¼" x 3⅜", 12¼" x 4" and 12¼" x 5" hydraulic brake (prior to 2/97).

DX Part No.	Quantity	Part Description
046-073-00	1	Lever Spring, LH
046-074-00	1	Lever Spring, RH
048-009-00	1	Adjusting Screw Assembly, LH
048-010-00	1	Adjusting Screw Assembly, RH
071-019-01	1	Adjusting Lever, LH
071-019-02	1	Adjusting Lever, RH
071-443-00	2	Adjusting Cable

Brake Adjuster Kit K71-439-00

For Dexter 12¼" corrosion resistant self adjusting hydraulic brakes, 8K only (prior to 2/97).

DX Part No.	Quantity	Part Description
046-073-01	1	Adjuster Lever Spring, LH
046-074-01	1	Adjuster Lever Spring, RH
048-009-00	1	Adjusting Screw Assembly, LH
048-010-00	1	Adjusting Screw Assembly, RH
071-019-03	1	Adjusting Lever, LH
071-019-04	1	Adjusting Lever, RH
071-443-00	2	Adjuster Cable



K71-472-00

Brake Adjuster Kit K71-472-00

For Dexter 12¼" forward self adjusting hydraulic brakes (after 2/97).

DX Part No.	Quantity	Part Description
046-132-00	2	Adjuster Clip, Thread End
046-133-00	2	Adjuster Clip, Barrel End
046-134-00	1	Adjuster Lever Spring, RH
046-135-00	1	Adjuster Lever Spring, LH
048-019-00	1	Adjusting Screw Assembly, LH
048-020-00	1	Adjusting Screw Assembly, RH
071-462-00	2	Adjuster Cable
071-463-00	1	Adjusting Lever, RH
071-464-00	1	Adjusting Lever, LH



K71-458-00

Brake Retrofit Kit

K71-458-00

For Dexter 12¼" x 3⅜" and 12¼" x 4" forward self adjusting electric brakes. For one axle, services two brakes.

DX Part No.	Quantity	Part Description
006-062-00	2	Flange Lock Nut
006-092-01	2	Flange Lock Nut
027-039-00	6	Wire Clip
027-050-00	2	Magnet Retainer
033-084-00	2	Tubular Spacer
047-123-37	1	Actuator Arm Assembly, RH
047-123-38	1	Actuator Arm Assembly, LH
059-572-00	1	Instruction Sheet
071-455-01	1	Shoe Hold Down Bracket, LH
071-455-02	1	Shoe Hold Down Bracket, RH



K71-459-00

Brake Retrofit Kit

K71-459-00

For Dexter 12¼" x 5" forward self adjusting electric brakes. For one axle, services two brakes (12K-15K).

DX Part No.	Quantity	Part Description
006-062-00	2	Flange Lock Nut
006-092-01	2	Flange Lock Nut
027-039-00	6	Wire Clip
027-050-00	2	Magnet Retainer
033-084-00	2	Tubular Spacer
047-123-35	1	Actuator Arm Assembly, RH
047-123-36	1	Actuator Arm Assembly, LH
059-572-00	1	Instruction Sheet
071-455-01	1	Shoe Hold Down Bracket, LH
071-455-02	1	Shoe Hold Down Bracket, RH



K71-465-00

Brake Retrofit Kit

K71-465-00

For Dexter 12¼" forward self adjusting hydraulic brakes.
For one axle, services two brakes (8K-15K).

DX Part No.	Quantity	Part Description
046-131-01	2	Extension Spring
046-134-00	1	Adjuster Lever Spring, RH
046-135-00	1	Adjuster Lever Spring, LH
048-019-00	1	Adjusting Screw Assembly, LH
048-020-00	1	Adjusting Screw Assembly, RH
059-578-00	1	Instruction Sheet
071-456-00	2	Bracket
071-462-00	2	Adjuster Cable
071-463-00	1	Adjusting Lever, RH
071-464-00	1	Adjusting Lever, LH



K71-633-00

Disc Brake Retrofit Kit - LH

K71-633-00

For Dexter 3.5K axles. For one brake.

DX Part No.	Quantity	Part Description
006-017-00	4	Hex Nut
008-248-22	1	5-4.50 Hub
010-019-00	1	Seal
021-041-02	1	Grease Cap
031-031-02	1	Bearing Cone
031-033-02	1	Bearing Cone
059-806-00	1	Instruction Sheet
085-001-00	1	Rubber Plug
090-004-01	1	Yoke Assembly
K71-624-00	1	Caliper Kit - LH
K71-626-00	1	Rotor Kit

Disc Brake Retrofit Kit - RH

K71-634-00

For Dexter 3.5K axles. For one brake.

DX Part No.	Quantity	Part Description
006-017-00	4	Hex Nut
008-248-22	1	5-4.50 Hub
010-019-00	1	Seal
021-041-02	1	Grease Cap
031-031-02	1	Bearing Cone
031-033-02	1	Bearing Cone
059-806-00	1	Instruction Sheet
085-001-00	1	Rubber Plug
090-004-01	1	Yoke Assembly
K71-625-00	1	Caliper Kit - RH
K71-626-00	1	Rotor Kit



K71-638-00

Disc Brake Retrofit Kit - LH **K71-638-00**

For Dexter 6K axles. For one brake.

DX Part No.	Quantity	Part Description
006-193-00	5	Hex Nut
008-403-05	1	6-5.50 Hub
010-036-00	1	Seal
021-042-01	1	Grease Cap
031-029-02	1	Bearing Cone
031-030-02	1	Bearing Cone
059-815-00	1	Instruction Sheet
070-009-02	1	Rotor
085-001-00	1	Rubber Plug
090-005-01	1	Yoke Assembly - LH
091-004-00	2	Brake Pad
K71-636-00	1	Caliper Kit

Disc Brake Retrofit Kit - RH **K71-639-00**

For Dexter 6K axles. For one brake.

DX Part No.	Quantity	Part Description
006-193-00	5	Hex Nut
008-403-05	1	6-5.50 Hub
010-036-00	1	Seal
021-042-01	1	Grease Cap
031-029-02	1	Bearing Cone
031-030-02	1	Bearing Cone
059-815-00	1	Instruction Sheet
070-009-02	1	Rotor
085-001-00	1	Rubber Plug
090-005-02	1	Yoke Assembly - RH
091-004-00	2	Brake Pad
K71-636-00	1	Caliper Kit



K71-647-00

Disc Brake Retrofit Kit - LH **K71-647-00**

For Dexter 6K, 6 bolt axles equipped with Nev-R-Lube® (42mm bearing).

DX Part No.	Quantity	Part Description
006-193-00	5	Hex Nut
008-404-80	1	6K Hub
021-085-00	1	Grease Cap
059-824-00	1	Instruction Sheet
070-009-02	1	Rotor
090-006-01	1	Yoke Assembly
091-004-00	2	Brake Pad
K71-636-00	1	Caliper Kit

Disc Brake Retrofit Kit - RH **K71-648-00**

For Dexter 6K, 6 bolt axles equipped with Nev-R-Lube® (42mm bearing).

DX Part No.	Quantity	Part Description
006-193-00	5	Hex Nut
008-404-80	1	6K Hub
021-085-00	1	Grease Cap
059-824-00	1	Instruction Sheet
070-009-02	1	Rotor
090-006-02	1	Yoke Assembly
091-004-00	2	Brake Pad
K71-636-00	1	Caliper Kit



K71-635-00

Disc Brake Retrofit Kit **K71-635-00**

For Dexter 8K axles. For one brake.

DX Part No.	Quantity	Part Description
005-058-00	4	Lock Washer
006-129-01	4	Hex Nut
007-097-00	4	Hex Bolt
059-808-00	1	Instruction Sheet
070-007-02	1	Rotor
090-003-01	1	Yoke Assembly
091-004-00	2	Brake Pad
K71-630-00	1	Caliper Kit

Note: Use K71-635-00 with one of the following hub assemblies (separate kit):

008-399-90	Hub Assembly with $\frac{9}{16}$ " Studs, Grease, 8-6.50
008-399-91	Hub Assembly with $\frac{9}{16}$ " Studs, Oil, 8-6.50
008-399-92	Hub Assembly with $\frac{5}{8}$ " Studs, Grease, 8-6.50
008-399-93	Hub Assembly with $\frac{5}{8}$ " Studs, Oil, 8-6.50

Disc Brake Retrofit Kit **K71-646-00**

For Dexter 8K, axles equipped with Nev-R-Lube® (50mm bearing). LH or RH.

DX Part No.	Quantity	Part Description
005-058-00	4	Lock Washer
006-129-01	4	Hex Nut
007-097-00	4	Hex Bolt
059-824-00	1	Instruction Sheet
070-007-02	1	Rotor
090-007-01	1	Anchor Yoke
091-004-00	2	Brake Pad
K71-630-00	1	Caliper Kit

Note: Use K71-646-00 with one of the following hub assemblies (separate kit):

008-402-90	Hub Assembly with $\frac{9}{16}$ " Studs, 8 Bolt
008-402-91	Hub Assembly with $\frac{5}{8}$ " Studs, 8 Bolt

COMPLETE HUB & HUB-DRUM KITS



K08-091-91

Hub Kit

K08-091-90

For 2K idler axle, 4-4.00 BC, tapped holes, grease lube.

DX Part No.	Quantity	Part Description
007-040-00	4	Wheel Bolts 1/2"-20
008-091-04	1	Hub Cupped 4-4.00 BC Tapped Holes
010-009-00	1	Seal
021-003-00	1	Grease Cap
031-031-02	2	Bearing Cone (L44649)
059-831-00	1	Instruction Sheet

Hub Kit

K08-091-91

For 2K idler axle, 4-4.00 BC, studded, grease lube.

DX Part No.	Quantity	Part Description
006-080-00	4	Cone Nuts 60°
008-091-05	1	Hub Cupped 4-4.00 BC Studded
010-009-00	1	Seal
021-003-00	1	Grease Cap
031-031-02	2	Bearing Cone (L44649)
059-831-00	1	Instruction Sheet



K08-257-91

Hub-Drum Kit

K08-257-90

For 2K electric brake axle, 5-4.50 BC, tapped, seal, standard grease cap.

DX Part No.	Quantity	Part Description
007-040-00	5	Wheel Bolts 1/2"-20
008-257-04	1	Hub & Drum - Cupped and Tapped
010-009-00	1	Seal
021-003-00	1	Grease Cap
031-031-02	2	Bearing Cone (L44649)
059-831-00	1	Instruction Sheet

Hub-Drum Kit

K08-257-91

For 2K electric brake axle, 5-4.50 BC, studded, seal, standard grease cap.

DX Part No.	Quantity	Part Description
006-080-00	5	Cone Nuts 60°
008-257-05	1	Hub & Drum - Cupped and Studded
010-009-00	1	Seal
021-003-00	1	Grease Cap
031-031-02	2	Bearing Cone (L44649)
059-831-00	1	Instruction Sheet



K08-258-91

Hub Kit

K08-258-91

For 2K axle, 5-4.50 BC, studded, seal, standard grease cap, for 13"-15" wheels only.

DX Part No.	Quantity	Part Description
006-080-00	5	Cone Nuts 60°
008-258-05	1	Hub - Cupped and Studded
010-009-00	1	Seal
021-003-00	1	Grease Cap
031-031-02	2	Bearing Cone (L44649)
059-831-00	1	Instruction Sheet

Hub Kit

K08-259-91

For 2K axle, 5-4.50 BC, studded, seal, standard grease cap, for 8"-12" wheels only.

DX Part No.	Quantity	Part Description
006-080-00	5	Cone Nuts 60°
008-259-05	1	Hub - Cupped and Studded
010-009-00	1	Seal
021-003-00	1	Grease Cap
031-031-02	2	Bearing Cone (L44649)
059-831-00	1	Instruction Sheet



K08-247-90

Hub-Drum Kit

K08-247-90

For 3.5K axle, 5-4.50 BC, studded, 1.718 seal, standard grease cap.

DX Part No.	Quantity	Part Description
006-080-00	5	Cone Nuts 60°
008-247-05	1	Hub & Drum - Cupped and Studded
010-004-00	1	Seal
021-003-00	1	Grease Cap
031-031-02	1	Bearing Cone Outer (L44649)
031-033-02	1	Bearing Cone Inner (L68149)
059-831-00	1	Instruction Sheet

Hub-Drum Kit

K08-247-93

For 3.5K axle, 5-4.75 BC, studded, 1.718 seal, standard grease cap.

DX Part No.	Quantity	Part Description
006-080-00	5	Cone Nuts 60°
008-247-12	1	Hub & Drum - Cupped and Studded
010-004-00	1	Seal
021-003-00	1	Grease Cap
031-031-02	1	Bearing Cone Outer (L44649)
031-033-02	1	Bearing Cone Inner (L68149)
059-831-00	1	Instruction Sheet



K08-247-94

Hub-Drum Kit

K08-247-94

For 3.5K axle, 5-4.50 BC, studded 1/2"-20, 1.718 seal, E-Z Lube® grease cap.

DX Part No.	Quantity	Part Description
006-080-00	5	Cone Nuts 60°
006-190-00	1	Spindle Nut Retainer
006-191-00	1	Spindle Nut
008-247-05	1	Hub & Drum - Cupped and Studded 1/2"-20
010-019-00	1	Seal
021-041-01	1	Grease Cap
031-031-02	1	Bearing Cone Outer (L44649)
031-033-02	1	Bearing Cone Inner (L68149)
085-001-00	1	Rubber Plug
059-831-00	1	Instruction Sheet



K08-248-90

Hub Kit

K08-248-90

For 3.5K idler axle, 5-4.50 BC, studded, 1.718 seal, standard grease cap.

DX Part No.	Quantity	Part Description
006-080-00	5	Cone Nuts 60°
008-248-05	1	Hub - Cupped and Studded
010-004-00	1	Seal
021-003-00	1	Grease Cap
031-031-02	1	Bearing Cone Outer (L44649)
031-033-02	1	Bearing Cone Inner (L68149)
059-831-00	1	Instruction Sheet

Hub Kit

K08-248-92

For 3.5K idler axle, 5-4.75 BC, studded, 1.718 seal, standard grease cap.

DX Part No.	Quantity	Part Description
006-080-00	5	Cone Nuts 60°
008-248-10	1	Hub - Cupped and Studded
010-004-00	1	Seal
021-003-00	1	Grease Cap
031-031-02	1	Bearing Cone Outer (L44649)
031-033-02	1	Bearing Cone Inner (L68149)
059-831-00	1	Instruction Sheet



K08-248-95

Hub Kit K08-248-95

For 3.5K axle, 5-4.50 BC, studded 1/2"-20, 1.718 seal, E-Z Lube® grease cap.

DX Part No.	Quantity	Part Description
006-080-00	5	Cone Nuts 60°
006-190-00	1	Spindle Nut Retainer
006-191-00	1	Spindle Nut
008-248-05	1	Hub - Cupped and Studded 1/2"-20
010-019-00	1	Seal
021-041-01	1	Grease Cap
031-031-02	1	Bearing Cone Outer (L44649)
031-033-02	1	Bearing Cone Inner (L68149)
085-001-00	1	Rubber Plug
059-831-00	1	Instruction Sheet

Hub-Drum Kit K08-249-90

For 3.5K axle, 5-5.50 BC, studded, 1.718 seal, standard grease cap.

DX Part No.	Quantity	Part Description
006-080-00	5	Cone Nuts 60°
008-249-05	1	Hub & Drum- Cupped and Studded
010-004-00	1	Seal
021-003-00	1	Grease Cap
031-031-02	1	Bearing Cone Outer (L44649)
031-033-02	1	Bearing Cone Inner (L68149)
059-831-00	1	Instruction Sheet

Hub-Drum Kit K08-249-91

For 3.5K axle, 5-5.00 BC, studded, 1.718 seal, standard grease cap.

DX Part No.	Quantity	Part Description
006-080-00	5	Cone Nuts 60°
008-249-07	1	Hub & Drum- Cupped and Studded
010-004-00	1	Seal
021-003-00	1	Grease Cap
031-031-02	1	Bearing Cone Outer (L44649)
031-033-02	1	Bearing Cone Inner (L68149)
059-831-00	1	Instruction Sheet

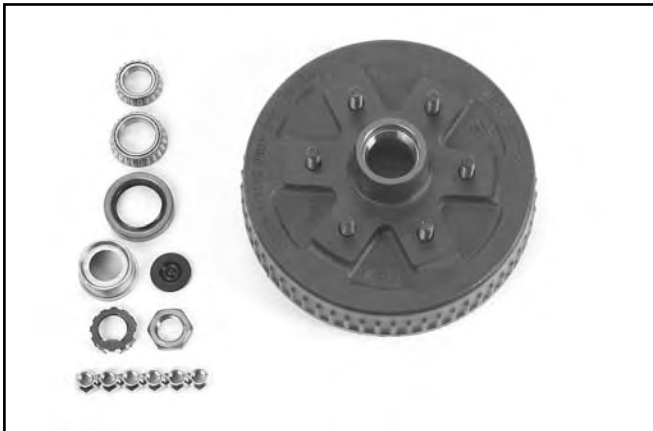


K08-250-90

Hub-Drum Kit K08-250-90

For 3.5K axle, 6-5.50 BC, studded, 1.718 seal, standard grease cap.

DX Part No.	Quantity	Part Description
006-080-00	6	Cone Nuts 60°
008-250-05	1	Hub & Drum- Cupped and Studded
010-004-00	1	Seal
021-003-00	1	Grease Cap
031-031-02	1	Bearing Cone Outer (L44649)
031-033-02	1	Bearing Cone Inner (L68149)
059-831-00	1	Instruction Sheet



K08-250-91

Hub-Drum Kit

K08-250-91

For 3.5K axle, 6-5.50 BC, studded 1/2"-20, 1.718 seal, E-Z Lube® grease cap.

DX Part No.	Quantity	Part Description
006-080-00	6	Cone Nuts 60°
006-190-00	1	Spindle Nut Retainer
006-191-00	1	Spindle Nut
008-250-05	1	Hub & Drum - Cupped and Studded 1/2"-20
010-019-00	1	Seal
021-041-01	1	Grease Cap
031-031-02	1	Bearing Cone Outer (L44649)
031-033-02	1	Bearing Cone Inner (L68149)
085-001-00	1	Rubber Plug
059-831-00	1	Instruction Sheet



K08-251-90

Hub Kit

K08-251-90

For 3.5K idler axle, 6-5.50 BC, studded, 1.718 seal, standard grease cap.

DX Part No.	Quantity	Part Description
006-080-00	6	Cone Nuts 60°
008-251-05	1	Hub - Cupped and Studded
010-004-00	1	Seal
021-003-00	1	Grease Cap
031-031-02	1	Bearing Cone Outer (L44649)
031-033-02	1	Bearing Cone Inner (L68149)
059-831-00	1	Instruction Sheet

Hub Kit

K08-256-90

For 3.5K idler axle, 5-5.50 BC, studded, 1.718 seal, standard grease cap.

DX Part No.	Quantity	Part Description
006-080-00	5	Cone Nuts 60°
008-256-05	1	Hub - Cupped and Studded
010-004-00	1	Seal
021-003-00	1	Grease Cap
031-031-02	1	Bearing Cone Outer (L44649)
031-033-02	1	Bearing Cone Inner (L68149)
059-831-00	1	Instruction Sheet

Hub Kit

K08-256-91

For 3.5K idler axle, 5-5.00 BC, studded, 1.718 seal, standard grease cap.

DX Part No.	Quantity	Part Description
006-080-00	5	Cone Nuts 60°
008-256-07	1	Hub - Cupped and Studded
010-004-00	1	Seal
021-003-00	1	Grease Cap
031-031-02	1	Bearing Cone Outer (L44649)
031-033-02	1	Bearing Cone Inner (L68149)
059-831-00	1	Instruction Sheet



K08-407-90

Hub-Drum Kit K08-407-90

For D44 electric brake axle, 6-5.50 BC, studded, 1.718 seal, standard grease seal.

DX Part No.	Quantity	Part Description
006-080-00	6	Cone Nuts 60°
008-407-05	1	Hub & Drum - Cupped and Studded
010-004-00	1	Seal
021-001-00	1	Grease Cap
031-032-02	1	Bearing Cone Outer (L68149)
031-033-02	1	Bearing Cone Inner (LM67048)
059-831-00	1	Instruction Sheet

Hub-Drum Kit K08-201-90

For 5.2K axle, 6-5.50 BC, studded, 2.125 seal, standard grease cap.

DX Part No.	Quantity	Part Description
006-080-00	6	Cone Nuts 60°
008-201-05	1	Hub & Drum - Cupped and Studded
010-001-00	1	Seal 2.125
021-001-00	1	Grease Cap
031-030-02	1	Bearing Cone Inner (25580)
031-032-02	1	Bearing Cone Outer (LM67048)
059-831-00	1	Instruction Sheet

Hub-Drum Kit K08-201-94

For 5.2K axle, 6-5.50 BC, studded, 2.125 seal, E-Z Lube® grease cap.

DX Part No.	Quantity	Part Description
006-080-00	6	Cone Nuts 60°
006-190-00	1	Spindle Nut Retainer
006-191-00	1	Spindle Nut
008-201-05	1	Hub & Drum - Cupped and Studded
010-010-00	1	Seal 2.125
021-042-01	1	Grease Cap
031-030-02	1	Bearing Cone Inner (25580)
031-032-02	1	Bearing Cone Outer (LM67048)
085-001-00	1	Rubber Plug
059-831-00	1	Instruction Sheet

COMPLETE HUB & HUB-DRUM KITS



K08-201-97

Hub-Drum Kit

K08-201-97

For 5.2K axle, 6-5.50 BC, studed, 2.25 seal, standard grease cap.

DX Part No.	Quantity	Part Description
006-080-00	6	Cone Nuts 60°
008-201-05	1	Hub & Drum - Cupped and Studed
010-054-00	1	Seal 2.25
021-001-00	1	Grease Cap
031-030-02	1	Bearing Cone Inner (25580)
031-032-02	1	Bearing Cone Outer (LM67048)
059-831-00	1	Instruction Sheet



K08-213-90

Hub Kit

K08-213-90

For 5.2K idler axle, 6-5.50 BC, studed, 2.125 seal, standard grease cap.

DX Part No.	Quantity	Part Description
006-080-00	6	Cone Nuts 60°
008-213-05	1	Hub & Drum - Cupped and Studed
010-001-00	1	Seal 2.125
021-001-00	1	Grease Cap
031-030-02	1	Bearing Cone Inner (25580)
031-032-02	1	Bearing Cone Outer (LM67048)
059-831-00	1	Instruction Sheet

Hub-Drum Kit

K08-201-98

For 5.2K axle, 6-5.50 BC, studed, 2.25 seal, E-Z Lube® grease cap.

DX Part No.	Quantity	Part Description
006-080-00	6	Cone Nuts 60°
006-190-00	1	Spindle Nut Retainer
006-191-00	1	Spindle Nut
008-201-05	1	Hub & Drum - Cupped and Studed
010-036-00	1	Seal 2.25
021-042-01	1	Grease Cap
031-030-02	1	Bearing Cone Inner (25580)
031-032-02	1	Bearing Cone Outer (LM67048)
085-001-00	1	Rubber Plug
059-831-00	1	Instruction Sheet



K08-174-93

Wheel-Drum Kit

K08-174-90

For demountable 7K UTG axle, studded, 2.125 seal.

DX Part No.	Quantity	Part Description
006-005-00	5	Hex Nut $\frac{9}{16}$ -18
008-174-05	1	Wheel & Drum - Cupped and Studded
010-001-00	1	Seal 2.125
015-002-00	5	Rim Clamp
021-001-00	1	Grease Cap
031-029-02	1	Bearing Cone Outer (15123)
031-030-02	1	Bearing Cone Inner (25580)
059-831-00	1	Instruction Sheet

Wheel-Drum Kit

K08-174-93

For demountable 7K UTG axle, studded, 2.25 seal.

DX Part No.	Quantity	Part Description
006-005-00	5	Hex Nut $\frac{9}{16}$ -18
008-174-05	1	Wheel & Drum - Cupped and Studded
010-054-00	1	Seal 2.25
015-002-00	5	Rim Clamp
021-001-00	1	Grease Cap
031-029-02	1	Bearing Cone Outer (15123)
031-030-02	1	Bearing Cone Inner (25580)
059-831-00	1	Instruction Sheet



K08-201-95

Hub-Drum Kit

K08-201-91

For 6K axle, 6-5.50 BC, studded, 2.125 seal, standard grease cap.

DX Part No.	Quantity	Part Description
006-080-00	6	Cone Nuts 60°
008-201-09	1	Hub & Drum - Cupped and Studded
010-001-00	1	Seal 2.125
021-001-00	1	Grease Cap
031-029-02	1	Bearing Cone Outer (15123)
031-030-02	1	Bearing Cone Inner (25580)
059-831-00	1	Instruction Sheet

Hub-Drum Kit

K08-201-95

For 6K axle, 6-5.50 BC, studded, 2.125 seal, E-Z Lube® grease cap.

DX Part No.	Quantity	Part Description
006-080-00	6	Cone Nuts 60°
006-190-00	1	Spindle Nut Retainer
006-191-00	1	Spindle Nut
008-201-09	1	Hub & Drum - Cupped and Studded
010-010-00	1	Seal 2.125
021-042-01	1	Grease Cap
031-029-02	1	Bearing Cone Outer (15123)
031-030-02	1	Bearing Cone Inner (25580)
085-001-00	1	Rubber Plug
059-831-00	1	Instruction Sheet

Hub-Drum Kit

K08-201-9A

For 6K axle, 6-5.50 BC, studded, 2.25 seal, standard grease cap.

DX Part No.	Quantity	Part Description
006-080-00	6	Cone Nuts 60°
008-201-09	1	Hub & Drum - Cupped and Studded
010-054-00	1	Seal 2.25
021-001-00	1	Grease Cap
031-029-02	1	Bearing Cone Outer (15123)
031-030-02	1	Bearing Cone Inner (25580)
059-831-00	1	Instruction Sheet

COMPLETE HUB & HUB-DRUM KITS



K08-219-90

Hub-Drum Kit **K08-219-90**

For 7K axle, 8-6.50 BC, studed 1/2"-20, 2.125 seal, standard grease cap.

DX Part No.	Quantity	Part Description
006-080-00	8	Cone Nuts 60°
008-219-04	1	Hub & Drum - Cupped and Studed 1/2"-20
010-001-00	1	Seal 2.125
021-039-00	1	Grease Cap
031-017-02	1	Bearing Cone Outer (14125A)
031-030-02	1	Bearing Cone Inner (25580)
059-831-00	1	Instruction Sheet

Hub-Drum Kit **K08-219-91**

For 7K axle, 8-6.50 BC, studed 9/16"-18, 2.125 seal, standard grease cap.

DX Part No.	Quantity	Part Description
006-053-00	8	Cone Nuts 60°
008-219-13	1	Hub & Drum - Cupped and Studed 9/16"-18
010-001-00	1	Seal 2.125
021-039-00	1	Grease Cap
031-017-02	1	Bearing Cone Outer (14125A)
031-030-02	1	Bearing Cone Inner (25580)
059-831-00	1	Instruction Sheet

Hub-Drum Kit **K08-219-96**

For 7K axle, 8-6.50 BC, studed 1/2"-20, 2.125 seal, E-Z Lube® grease cap.

DX Part No.	Quantity	Part Description
006-080-00	8	Cone Nuts 60°
006-190-00	1	Spindle Nut Retainer
006-191-00	1	Spindle Nut
008-219-04	1	Hub & Drum - Cupped and Studed 1/2"-20
010-010-00	1	Seal 2.125
021-043-01	1	Grease Cap
031-017-02	1	Bearing Cone Outer (14125A)
031-030-02	1	Bearing Cone Inner (25580)
085-001-00	1	Rubber Plug
059-831-00	1	Instruction Sheet



K08-219-9C

Hub-Drum Kit **K08-219-9C**

For 7K axle, 8-6.50 BC, studed 9/16"-18, 2.25 seal, E-Z Lube® grease cap.

DX Part No.	Quantity	Part Description
006-053-00	8	Cone Nuts 60°
006-190-00	1	Spindle Nut Retainer
006-191-00	1	Spindle Nut
008-219-13	1	Hub & Drum - Cupped and Studed 9/16"-18
010-036-00	1	Seal 2.25
021-043-01	1	Grease Cap
031-017-02	1	Bearing Cone Outer (14125A)
031-030-02	1	Bearing Cone Inner (25580)
085-001-00	1	Rubber Plug
059-831-00	1	Instruction Sheet



K08-219-9D

Hub-Drum Kit

K08-219-9D

For 7K axle, 8-6.50 BC, studded 1/2"-20, 2.25 seal, standard grease cap.

DX Part No.	Quantity	Part Description
006-080-00	8	Cone Nuts 60°
008-219-04	1	Hub & Drum - Cupped and Studded 1/2"-20
010-054-00	1	Seal 2.25
021-039-00	1	Grease Cap
031-017-02	1	Bearing Cone Outer (14125A)
031-030-02	1	Bearing Cone Inner (25580)
059-831-00	1	Instruction Sheet



K08-231-9B

Hub Kit

K08-231-9B

For 7K axle, 8-6.50 BC, studded 9/16"-18, 2.25 seal, E-Z Lube® grease cap, 4.75 pilot dia.

DX Part No.	Quantity	Part Description
006-053-00	8	Cone Nuts 60°
006-190-00	1	Spindle Nut Retainer
006-191-00	1	Spindle Nut
008-231-18	1	Hub - Cupped and Studded 9/16"-18
010-036-00	1	Seal 2.25
021-043-01	1	Grease Cap
031-017-02	1	Bearing Cone Outer (14125A)
031-030-02	1	Bearing Cone Inner (25580)
085-001-00	1	Rubber Plug
059-831-00	1	Instruction Sheet



K08-393-90

Hub-Drum Kit

K08-393-90

For 7.2K axle, 8-6.50 BC, $\frac{9}{16}$ " studded, seal, E-Z Lube® grease cap, 4.75 pilot dia.

DX Part No.	Quantity	Part Description
006-053-00	8	Cone Nuts 60°
006-190-00	1	Spindle Nut Retainer
006-191-00	1	Spindle Nut
008-393-04	1	Hub & Drum - Cupped and Studded $\frac{9}{16}$ "-18
010-036-00	1	Seal
021-043-01	1	Grease Cap
031-028-02	1	Bearing Cone Outer (02475)
031-030-02	1	Bearing Cone Inner (25580)
085-001-00	1	Rubber Plug
059-831-00	1	Instruction Sheet



K08-285-97

Hub-Drum Kit

K08-285-97

For 8K axle, 8-6.50 BC, $\frac{5}{8}$ " studded, seal, grease cap, 4.75 pilot dia.

DX Part No.	Quantity	Part Description
006-058-00	8	Flange Nuts
008-285-08	1	Hub & Drum - Cupped and Studded $\frac{5}{8}$ "-18
010-036-00	1	Seal
021-039-00	1	Grease Cap
031-028-02	1	Bearing Cone Outer (02475)
031-030-02	1	Bearing Cone Inner (25580)
059-831-00	1	Instruction Sheet



K08-285-90

Hub-Drum Kit **K08-285-90**

For 8K oil lube axle, 8-6.50 BC, 5/8" studded, oil seal, oil cap, 4.75 pilot dia., cone nuts.

DX Part No.	Quantity	Part Description
006-109-00	8	Cone Nuts 90°
008-285-10	1	Hub & Drum - Cupped and Studded
010-045-00	1	"O" Ring
010-063-00	1	Oil Seal (Unitized)
021-035-00	1	Oil Cap
031-028-02	1	Bearing Cone Outer (02475)
031-030-02	1	Bearing Cone Inner (25580)
046-032-00	1	Rubber Plug
059-831-00	1	Instruction Sheet



K08-285-93

Hub-Drum Kit **K08-285-93**

For 8K oil lube axle, 8-6.50 BC, 5/8" studded, oil seal, oil cap, 4.75 pilot dia., flange nuts.

DX Part No.	Quantity	Part Description
006-058-00	8	Flange Nuts
008-285-10	1	Hub & Drum - Cupped and Studded
010-045-00	1	"O" Ring
010-063-00	1	Oil Seal (Unitized)
021-035-00	1	Oil Cap
031-028-02	1	Bearing Cone Outer (02475)
031-030-02	1	Bearing Cone Inner (25580)
046-032-00	1	Rubber Plug
059-831-00	1	Instruction Sheet

Hub-Drum Kit **K08-285-92**

For 8K oil lube axle, 8-6.50 BC, 9/16" studded, oil seal, oil cap, 4.75 pilot dia.

DX Part No.	Quantity	Part Description
006-053-00	8	Cone Nuts 60°
008-285-09	1	Hub & Drum - Cupped and Studded
010-045-00	1	"O" Ring
010-063-00	1	Oil Seal (Unitized)
021-035-00	1	Oil Cap
031-028-02	1	Bearing Cone Outer (02475)
031-030-02	1	Bearing Cone Inner (25580)
046-032-00	1	Rubber Plug
059-831-00	1	Instruction Sheet

COMPLETE HUB & HUB-DRUM KITS



K08-285-94

Hub-Drum Kit

K08-285-94

For 8K grease lube axle, 8-6.50 BC, $\frac{9}{16}$ " studded, seal, grease cap, 4.75 pilot dia.

DX Part No.	Quantity	Part Description
006-053-00	8	Cone Nuts 60°
008-285-11	1	Hub & Drum - Cupped and Studded
010-036-00	1	Seal
021-039-00	1	Grease Cap
031-028-02	1	Bearing Cone Outer (02475)
031-030-02	1	Bearing Cone Inner (25580)
059-831-00	1	Instruction Sheet



K08-285-95

Hub-Drum Kit

K08-285-95

For 8K axle, 8-6.50 BC, $\frac{9}{16}$ " studded, seal, E-Z Lube® grease cap, 4.75 pilot dia.

DX Part No.	Quantity	Part Description
006-053-00	8	Cone Nuts 60°
006-190-00	1	Spindle Nut Retainer
006-191-00	1	Spindle Nut
008-285-11	1	Hub & Drum - Cupped and Studded $\frac{9}{16}$ "-18
010-036-00	1	Seal
021-043-01	1	Grease Cap
031-028-02	1	Bearing Cone Outer (02475)
031-030-02	1	Bearing Cone Inner (25580)
085-001-00	1	Rubber Plug
059-831-00	1	Instruction Sheet

Hub-Drum Kit

K08-285-96

For 8K axle, 8-6.50 BC, $\frac{5}{8}$ " studded, seal, E-Z Lube® grease cap, 4.75 pilot dia.

DX Part No.	Quantity	Part Description
006-109-00	8	Cone Nuts 90°
006-190-00	1	Spindle Nut Retainer
006-191-00	1	Spindle Nut
008-285-08	1	Hub & Drum - Cupped and Studded $\frac{5}{8}$ "-18
010-036-00	1	Seal
021-043-01	1	Grease Cap
031-028-02	1	Bearing Cone Outer (02475)
031-030-02	1	Bearing Cone Inner (25580)
085-001-00	1	Rubber Plug
059-831-00	1	Instruction Sheet

COMPLETE HUB & HUB-DRUM KITS



K08-287-97

Hub Kit

K08-287-97

For 8K idler axle, 8-6.50 BC, $\frac{9}{16}$ " studded, seal, E-Z Lube® grease cap, 4.75 pilot dia.

DX Part No.	Quantity	Part Description
006-053-00	8	Cone Nuts 60°
006-190-00	1	Spindle Nut Retainer
006-191-00	1	Spindle Nut
008-287-11	1	Hub - Cupped and Studded $\frac{9}{16}$ "-18
010-036-00	1	Seal
021-043-01	1	Grease Cap
031-028-02	1	Bearing Cone Outer (02475)
031-030-02	1	Bearing Cone Inner (25580)
085-001-00	1	Rubber Plug
059-831-00	1	Instruction Sheet



K08-287-9A

Hub Kit

K08-287-9A

For 8K idler axle, 8-6.50 BC, $\frac{5}{8}$ " studded, seal, grease cap, 4.75 pilot dia.

DX Part No.	Quantity	Part Description
006-109-00	8	Cone Nuts 90°
008-287-07	1	Hub - Cupped and Studded $\frac{5}{8}$ "-18
010-036-00	1	Seal
021-039-00	1	Grease Cap
031-028-02	1	Bearing Cone Outer (02475)
031-030-02	1	Bearing Cone Inner (25580)
059-831-00	1	Instruction Sheet

Hub Kit

K08-287-9B

For 8K idler axle, 8-6.50 BC, $\frac{5}{8}$ " studded, seal, E-Z Lube® grease cap, 4.75 pilot dia.

DX Part No.	Quantity	Part Description
006-109-00	8	Cone Nuts 90°
006-190-00	1	Spindle Nut Retainer
006-191-00	1	Spindle Nut
008-287-10	1	Hub - Cupped and Studded $\frac{5}{8}$ "-18
010-036-00	1	Seal
021-043-01	1	Grease Cap
031-028-02	1	Bearing Cone Outer (02475)
031-030-02	1	Bearing Cone Inner (25580)
085-001-00	1	Rubber Plug
059-831-00	1	Instruction Sheet



K08-288-90

Hub-Drum Kit

K08-288-90

For 9K & 10K GD oil lube axle, 8-6.50 BC, 5/8" studded, oil seal, oil cap, 4.75 pilot dia.

DX Part No.	Quantity	Part Description
006-109-00	8	Cone Nuts 90°
008-288-05	1	Hub & Drum - Cupped and Studded
010-050-00	1	"O" Ring
010-051-01	1	Oil Seal (unitized)
021-036-00	1	Oil Cap
031-019-02	1	Bearing Cone Outer (387A)
031-030-02	1	Bearing Cone Inner (25580)
033-052-01	1	Clamp Ring
046-032-00	1	Rubber Plug - Oil Cap
059-831-00	1	Instruction Sheet



K08-288-91

Hub Kit

K08-288-91

For 9K & 10K GD idler axle, 8-6.50 BC, 5/8" studded, oil seal, oil cap, 4.75 pilot dia.

DX Part No.	Quantity	Part Description
006-109-00	8	Cone Nuts 90°
008-288-03	1	Hub - Cupped and Studded 5/8"-18
010-050-00	1	"O" Ring
010-051-01	1	Oil Seal
021-036-00	1	Oil Cap
031-019-02	1	Bearing Cone Outer (387A)
031-030-02	1	Bearing Cone Inner (25580)
033-052-01	1	Clamp Ring
046-032-00	1	Rubber Plug - Oil Cap
059-831-00	1	Instruction Sheet



K71-626-00

Rotor Replacement Kit

K71-626-00

For 3.5K disc brakes.

DX Part No.	Quantity	Part Description
059-795-00	1	Instruction Sheet
070-008-01	1	Rotor



K71-631-00

Rotor Replacement Kit

K71-631-00

For 8K disc brakes.

DX Part No.	Quantity	Part Description
059-800-00	1	Instruction Sheet
070-007-02	1	Rotor



K71-637-00

Rotor Replacement Kit

K71-637-00

For 6K disc brakes.

DX Part No.	Quantity	Part Description
059-800-00	1	Instruction Sheet
070-009-02	1	Rotor



K71-306-00

Bearing Cup and Cone K71-306-00

Fits Dexter 7" hub inner and outer, 10" x 1½" outer, and 10" x 2¼" outer. L44610/L44649.

DX Part No.	Quantity	Part Description
031-031-01	1	Cup
031-031-02	1	Cone



K71-308-00

Bearing Cup and Cone K71-308-00

Fits Dexter 12" x 2", 12¼" x 2½", and 12¼" x 3¾" 8K hub inner, 9K and 10KGD outer. 25520/25580.

DX Part No.	Quantity	Part Description
031-030-01	1	Cup
031-030-02	1	Cone

Bearing Cup and Cone K71-307-00

Fits Dexter 10" x 1½" hub inner and 12" x 2" 5.2K 6 bolt outer. LM67010/LM67048.

DX Part No.	Quantity	Part Description
031-032-01	1	Cup
031-032-02	1	Cone

Bearing Cup and Cone K71-310-00

Fits Dexter 12" x 2" 7K hub 8 bolt outer. 14125A/14276.

DX Part No.	Quantity	Part Description
031-017-01	1	Cup
031-017-02	1	Cone

Bearing Cup and Cone K71-390-00

Fits Dexter 10" x 2¼" hub inner. L68111/L68149.

DX Part No.	Quantity	Part Description
031-033-01	1	Cup
031-033-02	1	Cone



K71-415-00

Bearing Cup and Cone K71-415-00

Fits Dexter 12¼" x 2½" and 12¼" x 3⅜" 8K hub outer. 02420/02475.

DX Part No.	Quantity	Part Description
031-028-01	1	Cup
031-028-02	1	Cone

Bearing Cup and Cone K71-309-00

Fits Dexter 8-174 wheel and drum, 12" x 2" 6K 6 bolt outer. 15245/15123.

DX Part No.	Quantity	Part Description
031-029-01	1	Cup
031-029-02	1	Cone



K71-315-00

E-Z Lube® Grease Cap & Plug Kit K71-315-00

Fits Dexter 7", 10" x 1½" and 10" x 2¼" hub, 1.99 OD, chrome.

DX Part No.	Quantity	Part Description
021-041-02	2	Grease Cap
085-001-00	2	E-Z Lube® Plug



K71-317-00

E-Z Lube® Grease Cap & Plug Kit K71-317-00

Fits Dexter 12" x 2" hub, 5, & 6 bolt, 2.45 OD, chrome.

DX Part No.	Quantity	Part Description
021-042-02	2	Grease Cap
085-001-00	2	E-Z Lube® Plug



K71-319-00

E-Z Lube® Grease Cap & Plug Kit **K71-319-00**

Fits Dexter 12" x 2" hub, 8 bolt, 2.72 OD, chrome.

DX Part No.	Quantity	Part Description
021-043-02	2	Grease Cap
085-001-00	2	E-Z Lube® Plug



K71-292-00

Grease Fitting **K71-292-00**

1/4-28 for .230/.235 dia.hole. Fits E-Z Lube® spindles, shackle and hanger bolts.

DX Part No.	Quantity	Part Description
061-007-00	2	Grease Fitting



K71-320-00

E-Z Lube® Plug **K71-320-00**

Fits Dexter E-Z Lube® grease caps.

DX Part No.	Quantity	Part Description
085-001-00	2	E-Z Lube® Plug



K71-644-00

Nev-R-Lube® Grease Cap Kit K71-644-00

For 35mm Nev-R-Lube® hubs.

DX Part No.	Quantity	Part Description
021-084-00	2	Grease Cap

Nev-R-Lube® Grease Cap Kit K71-643-00

For 42mm Nev-R-Lube® hubs.

DX Part No.	Quantity	Part Description
021-085-00	2	Grease Cap

Nev-R-Lube® Grease Cap Kit K71-642-00

For 50mm Nev-R-Lube® hubs.

DX Part No.	Quantity	Part Description
021-086-00	2	Grease Cap



K71-314-00

Grease Cap

K71-314-00

Fits Dexter 7", 10" x 1½", 10" x 2¼" hub, 1.99 OD

DX Part No.	Quantity	Part Description
021-003-00	2	Grease Cap



K71-316-00

Grease Cap

K71-316-00

Fits Dexter 12" x 2" hub with 4, 5, & 6 bolt, 2.45 OD.

DX Part No.	Quantity	Part Description
021-001-00	2	Grease Cap



K71-318-00

Grease Cap

K71-318-00

Fits Dexter 12" x 2" hub with 8 bolt and 8K, 2.72 OD.

DX Part No.	Quantity	Part Description
021-039-00	2	Grease Cap



K71-148-00

Oil Cap, O-Ring & Plug Kit

K71-148-00

Fits Dexter 9K (after 10/1/89) 10K, 12K and 15K. 4-12 threads.

DX Part No.	Quantity	Part Description
010-050-00	2	O-Ring
021-036-00	2	Oil Cap
046-032-00	2	Plug



K71-038-00

Oil Cap, O-Ring & Plug Kit

K71-038-00

Fits Dexter 6K & 8K screw-in and Dexter 9K (prior to 10/89). 27/8-12 thread. Replaces #021-029-00 oil cap.

DX Part No.	Quantity	Part Description
010-045-00	2	O-Ring
021-035-00	2	Oil Cap
046-032-00	2	Plug



K71-364-00

Hub Cover

K71-364-00

For 5-4.50 wheel, 3.18 OD, chrome.

DX Part No.	Quantity	Part Description
016-034-00	1	Hub Cover

HUB COMPONENTS



Hub Cover **K71-312-00**

For 5-4.50 wheel, 3.18 OD, E-Z Lube®, chrome.

DX Part No.	Quantity	Part Description
016-034-21	1	Hub Cover

Hub Cover **K71-404-00**

For 5-4.50 wheel, 3.18 OD, black plastic.

DX Part No.	Quantity	Part Description
016-044-00	1	Hub Cover

Hub Cover **K71-419-00**

For 5-4.50 wheel, 3.18 OD, E-Z Lube®, black plastic.

DX Part No.	Quantity	Part Description
016-044-21	1	Hub Cover



K71-405-00

Hub Cover **K71-405-00**

For 6-5.50 wheel, 4.27 OD, black plastic.

DX Part No.	Quantity	Part Description
016-045-00	1	Hub Cover

Hub Cover **K71-420-00**

For 6-5.50 wheel, 4.27 OD, E-Z Lube®, black plastic.

DX Part No.	Quantity	Part Description
016-045-21	1	Hub Cover



K71-311-00

Hub Cover **K71-311-00**

For 6-5.50 wheel, 4.27 OD, chrome.

DX Part No.	Quantity	Part Description
016-035-00	1	Hub Cover

Hub Cover **K71-313-00**

For 6-5.50 wheel, 4.27 OD, E-Z Lube®, chrome.

DX Part No.	Quantity	Part Description
016-035-21	1	Hub Cover



K71-406-00

Nut Covers

K71-406-00

¹³/₁₆ hex nut, black plastic. Fits Dexter K71-299-00.

DX Part No.	Quantity	Part Description
016-046-00	6	Nut Cover



K71-303-00

Seal

K71-303-00

Fits Dexter 10" x 2¼" hub. 1.72 ID x 2.565 OD.

DX Part No.	Quantity	Part Description
010-019-00	2	Seal



K71-301-00

Seal

K71-301-00

Fits Dexter 7" hub. 1.50 ID x 1.987 OD.

DX Part No.	Quantity	Part Description
010-060-00	2	Seal

Seal

K71-302-00

Fits Dexter 10" x 1½" hub. 1.75 ID x 2.33 OD.

DX Part No.	Quantity	Part Description
010-042-00	2	Seal



K71-305-00

Seal **K71-305-00**

Fits Dexter 12" x 2" hub. 2.250 ID x 3.376 OD (after 1998).

DX Part No.	Quantity	Part Description
010-036-00	2	Seal

Seal **K71-389-00**

Fits Dexter 12" x 2" MHU hub. 1.938 ID x 2.510 OD.

DX Part No.	Quantity	Part Description
010-040-00	2	Seal

Seal **K71-386-00**

Fits Dexter 7.2K and 8K drum. Unitized, 2.250 ID x 3.376 OD.

DX Part No.	Quantity	Part Description
010-063-00	2	Oil Seal



K71-387-00

Seal **K71-387-00**

Fits Dexter 9K and 10K GD hub/drum. Unitized, 2.875 ID x 3.880 OD.

DX Part No.	Quantity	Part Description
010-051-01	2	Oil Seal

Seal **K71-388-00**

Fits Dexter 10K-15K HD hubs. Unitized, 3.125 ID x 4.506 OD.

DX Part No.	Quantity	Part Description
010-056-00	2	Oil Seal



K71-298-00

Rim Clamps

K71-298-00

Fits Dexter 5-spoke demountable 12" x 2" W-D.

DX Part No.	Quantity	Part Description
015-002-00	5	Rim Clamps



K71-407-00

Wheel Mounting Studs

K71-407-00

1/2-20 hub thread, 1/2-20 nut thread.

DX Part No.	Quantity	Part Description
025-053-01	4	Wheel Mounting Stud



K71-345-00

Wheel Mounting Studs - RH

K71-345-00

3/4-10 hub thread, 3/4-16 nut thread.

DX Part No.	Quantity	Part Description
025-013-01	4	Wheel Mounting Stud - RH



K71-295-00

Press-In Wheel Studs

K71-295-00

1.84 long, 1/2-20 UNF, .62 flute OD.

DX Part No.	Quantity	Part Description
007-122-00	6	Press-In Wheel Stud

Wheel Mounting Studs - LH

K71-346-00

3/4-10 hub thread, 3/4-16 nut thread.

DX Part No.	Quantity	Part Description
025-013-02	4	Wheel Mounting Stud - LH



K71-342-00

Press-In Wheel Studs

K71-342-00

5/8-18 UNF.

DX Part No.	Quantity	Part Description
007-115-00	4	Press-In Wheel Stud



K71-297-00

Wheel Bolts

K71-297-00

Fits Dexter MH demountable W-D hub. 1.63 long, 1/2-13 UNC.

DX Part No.	Quantity	Part Description
007-036-00	5	Wheel Bolt



K71-296-00

Wheel Bolts

K71-296-00

60°, .88 long, 1/2-20 UNF.

DX Part No.	Quantity	Part Description
007-040-00	5	Wheel Bolt



K71-299-00

Wheel Nuts

K71-299-00

60° cone, 1/2-20 UNF.

DX Part No.	Quantity	Part Description
006-080-00	6	Wheel Nut



K71-300-00

Wheel Nuts

K71-300-00

60° cone, stainless steel capped, 1/2-20 UNF.

DX Part No.	Quantity	Part Description
006-098-00	6	Wheel Nut



K71-356-00

Rotor Mounting Studs & Nuts Kit

K71-356-00

1/2-13 UNC hub thread, 1/2-20 UNF nut thread.

DX Part No.	Quantity	Part Description
006-046-01	2	Nut
025-014-00	2	Rotor Mounting Stud



K71-347-00

Wheel Nuts

K71-347-00

90° cone, 5/8-18 UNF.

DX Part No.	Quantity	Part Description
006-109-00	4	Wheel Nut



K71-355-00

Drum Mounting Screws

K71-355-00

Fits Dexter 9K and 10K GD. 1.50 long, 1/2-13 UNC.

DX Part No.	Quantity	Part Description
007-245-00	4	Drum Mounting Screw



K71-354-00

Drum Mounting Screws **K71-354-00**

Fits Dexter 10K, 12K and 15K. 1.75 long, 1/2-13 UNC.

DX Part No.	Quantity	Part Description
007-244-00	4	Drum Mounting Screw



K71-367-00

Spindle Nuts & Washers Kit **K71-367-00**

Fits Dexter 9K (after 10/1/89) and 10K GD. 1 1/2-12 UNF. For one end.

DX Part No.	Quantity	Part Description
005-070-00	1	Spindle Washer
005-071-00	1	Tang Washer
006-096-00	2	Spindle Nut

Spindle Nuts & Washers Kit **K71-341-00**

Fits Dexter 10K HD, 12K and 15K. 1 3/4-12 UNF. For one end.

DX Part No.	Quantity	Part Description
005-060-00	1	Spindle Washer
005-059-00	1	Tang Washer
006-084-00	2	Spindle Nut



K71-335-00

Spindle Nuts & Washers Kit **K71-335-00**

Fits Dexter E-Z Lube® axles (prior to 6/2002).

DX Part No.	Quantity	Part Description
005-023-00	2	D Spindle Washer
005-101-00	2	Tang Washer
006-001-00	2	Spindle Nut



K71-322-00

Nuts, Washers & Cotter Keys Kit **K71-322-00**

Fits Dexter 10" x 1½" and 10" x 2¼" hubs. 1-14 UNS.

DX Part No.	Quantity	Part Description
005-023-00	2	D Spindle Washer
006-001-00	2	Spindle Nut
019-002-00	2	Cotter Key

Nuts, Washers & Cotter Keys Kit **K71-321-00**

Fits Dexter 12" x 2" and 8K hub. 1-14 UNS.

DX Part No.	Quantity	Part Description
005-057-01	2	D Spindle Washer
006-001-00	2	Spindle Nut
019-002-00	2	Cotter Key



K71-622-00

Retainer Kit* **K71-622-00**

Fits Dexter E-Z Lube® axles after 6/2002 and non E-Z Lube® axles between 8/2003 and early 2005.

DX Part No.	Quantity	Part Description
005-023-00	2	D Washer
006-190-00	2	Spindle Nut Retainer
006-191-00	2	Spindle Nut
059-781-00	1	Instruction Sheet

* Kit is not to be used on all D20, #8, and #9 axles. It should only be used on axles that have a factory installed "D" washer between the outer bearing and the spindle nut.



K71-358-00

Heavy Duty Suspension Kit **K71-358-00**

For 1¾" wide, double eye springs, single axles (A/P 171).

DX Part No.	Quantity	Part Description
006-092-01	6	Lock Nut
007-187-00	2	Step Bolt Wet
014-077-00	4	Bronze Bushing
018-022-01	2	Shackle Link
018-027-01	2	Shackle Link Assembly
059-547-00	1	Instruction Sheet



K71-359-00

Heavy Duty Suspension Kit **K71-359-00**

For 1¾" wide, double eye springs, tandem axles (A/P 271). 33" axle spacing.

DX Part No.	Quantity	Part Description
006-092-01	14	Lock Nut
007-126-00	2	Bolt
007-187-00	4	Step Bolt Wet
014-077-00	8	Bronze Bushing
013-104-04	2	Equalizer (2" high x 5¾" centers)
018-024-01	4	Shackle Link
018-026-00	4	Shackle Link Assembly
059-547-00	1	Instruction Sheet



K71-360-00

Heavy Duty Suspension Kit **K71-360-00**

For 1¾" wide, double eye springs, triple axles (A/P 371).

Dx Part No.	Quantity	Part Description
006-092-01	22	Lock Nut
007-126-00	4	Bolt
007-187-00	6	Step Bolt Wet
013-104-04	2	Equalizer - Rear
013-105-04	2	Equalizer - Front
014-077-00	12	Bronze Bushing
018-024-01	6	Shackle Link
018-026-00	6	Shackle Link Assembly
059-547-00	1	Instruction Sheet



K71-448-00

Heavy Duty Suspension Kit **K71-448-00**

For 1¾" wide, double eye springs, tandem axles with 4" high equalizer.

DX Part No.	Quantity	Part Description
006-092-01	14	Lock Nut
007-126-00	2	Bolt
007-187-00	4	Step Bolt Wet
013-010-04	2	Equalizer (4" high x 6" centers)
014-077-00	8	Bronze Bushing
018-024-01	4	Shackle Link
018-026-00	4	Shackle Link Assembly
059-547-00	1	Instruction Sheet



K71-449-00

Heavy Duty Suspension Kit **K71-449-00**

For 1¾" wide, double eye springs, tandem axles with 35" axle spacing.

DX Part No.	Quantity	Part Description
006-092-01	14	Lock Nut
007-126-00	2	Bolt
007-187-00	4	Step Bolt Wet
013-122-04	2	Equalizer (2.88" high x 7.67" centers)
014-077-00	8	Bronze Bushing
018-024-01	4	Shackle Link
018-026-00	4	Shackle Link Assembly
059-547-00	1	Instruction Sheet



K71-453-00

Heavy Duty Suspension Kit **K71-453-00**

For 1¾" wide, double eye springs, triple axles with 35" axle spacing.

DX Part No.	Quantity	Part Description
006-092-01	22	Lock Nut
007-126-00	4	Bolt
007-187-00	6	Step Bolt Wet
013-122-04	2	Rear Equalizer, Bronzed Bushed
013-126-04	2	Front Equalizer, Bronzed Bushed
014-077-00	12	Bronze Bushing
018-024-01	6	Shackle Link
018-026-00	6	Shackle Link Assembly
059-547-00	1	Instruction Sheet



K71-403-00

Suspension Kit

K71-403-00

For 1 3/4" wide, double eye springs, single axle (A/P 122).

DX Part No.	Quantity	Part Description
006-092-01	6	Nut
007-126-00	2	Bolt
018-012-00	2	Shackle Link
018-021-00	2	Shackle Link Assembly



K71-401-00

Suspension Kit

K71-401-00

For 1 3/4" wide, double eye springs, tandem axles (A/P 233).

DX Part No.	Quantity	Part Description
006-092-01	14	Nut
007-126-00	6	Bolt
013-104-02	2	Equalizer
018-011-00	4	Shackle Link
018-020-00	4	Shackle Link Assembly



K71-402-00

Suspension Kit

K71-402-00

For 1¾" wide, double eye springs, triple axles (A/P 335).

DX Part No.	Quantity	Part Description
006-092-01	24	Nut
007-126-00	10	Bolt
013-104-02	2	Equalizer, Rear
013-105-02	2	Equalizer, Front
018-011-00	6	Shackle Link
018-020-00	6	Shackle Link Assembly



K71-652-00

E-Z Flex® Suspension Kit

K71-652-00

For axles up to 6000# capacity, double eye springs. 33" axle spacing.

DX Part No.	Quantity	Part Description
006-007-01	2	Hex Lock Nut
006-092-01	12	Flange Lock Nut
007-003-01	2	Shackle Bolt
007-187-00	4	Step Bolt Wet
013-143-03	2	Equalizer Assembly
014-077-00	8	Bronze Bushing
018-024-01	4	Shackle Link
018-026-00	4	Shackle Link Assembly
059-867-00	1	Instruction Sheet



K71-653-00

E-Z Flex® Suspension Kit K71-653-00

For axles up to 8000# capacity, double eye springs.
35" axle spacing.

DX Part No.	Quantity	Part Description
006-007-01	2	Hex Lock Nut
006-092-01	12	Flange Lock Nut
007-003-01	2	Shackle Bolt
007-187-00	4	Step Bolt Wet
013-144-03	2	Equalizer Assembly
014-077-00	8	Bronze Bushing
018-024-01	4	Shackle Link
018-026-00	4	Shackle Link Assembly
059-867-00	1	Instruction Sheet



K71-654-00

E-Z Flex® Equalizer & Bolts K71-654-00

For axles up to 6000# capacity, double eye springs.
33" axle spacing.

DX Part No.	Quantity	Part Description
006-007-01	2	Hex Lock Nut
007-003-01	2	Shackle Bolt
013-143-03	2	Equalizer Assembly
059-863-00	1	Instruction Sheet



K71-655-00

E-Z Flex® Equalizer & Bolts **K71-655-00**

For axles up to 8000# capacity, double eye springs.
35" axle spacing.

DX Part No.	Quantity	Part Description
006-007-01	2	Hex Lock Nut
007-003-01	2	Shackle Bolt
013-144-03	2	Equalizer Assembly
059-863-00	1	Instruction Sheet



K71-384-00

Over/Under Conversion Kit **K71-384-00**

Conversion kit for 2³/₈" tube.

DX Part No.	Quantity	Part Description
003-064-00	2	Spring Seat
006-017-01	8	Nut, Hex
006-094-00	4	Nut, Coupling
011-074-01	4	U-Bolt
012-051-02	2	Tie Plate
059-551-00	1	Instruction Sheet

Over/Under Conversion Kit **K71-385-00**

Conversion kit for 3" tube, 5.2K maximum.

DX Part No.	Quantity	Part Description
003-070-00	2	Spring Seat
006-094-00	4	Nut, Coupling
006-129-01	8	Nut, Hex
011-017-01	4	U-Bolt
012-001-02	2	Tie Plate
059-551-00	1	Instruction Sheet



K71-175-01

Shock Kit

K71-175-01

Fits 2 $\frac{3}{8}$ " and 3" tube for 1.75 wide springs.
For one axle.

DX Part No.	Quantity	Part Description
005-115-00	4	$\frac{7}{16}$ " Washer
005-116-00	4	$\frac{1}{2}$ " Washer
012-055-01	2	Tie Plate
033-029-00	2	Upper Bracket
052-003-00	2	Shock Absorber w/bag parts
059-258-00	1	Instruction Sheet



K71-293-00

U-Bolts & Nuts Kit

K71-391-00

Replacement for 1.75" axle tube. $\frac{3}{8}$ -24 UNF.

DX Part No.	Quantity	Part Description
006-130-01	4	Nut
011-054-01	2	U-Bolt

U-Bolts & Nuts Kit

K71-293-00

Replacement for 2 $\frac{3}{8}$ " axle tube. $\frac{7}{16}$ -20 UNF.

DX Part No.	Quantity	Part Description
006-017-01	4	Nut
011-074-01	2	U-Bolt

U-Bolts & Nuts Kit

K71-294-00

Replacement for 3.00" axle tube. $\frac{1}{2}$ -20 UNF.

DX Part No.	Quantity	Part Description
006-129-01	4	Nut
011-017-01	2	U-Bolt



K71-289-00

Shackle Link

K71-288-00

2.25 hole to hole, 3.50 long. Use with shackle bolt kit K71-290-00.

DX Part No.	Quantity	Part Description
018-011-01	4	Shackle Link

Shackle Link

K71-289-00

3.12 hole to hole, 4.38 long. Use with shackle bolt kit K71-290-00.

DX Part No.	Quantity	Part Description
018-012-01	4	Shackle Link



K71-290-00

Shackle Bolt & Flange Nut Kit

K71-290-00

2.90 long, 7/16 -20 UNF.

DX Part No.	Quantity	Part Description
006-092-01	2	Flange Nut
007-126-01	2	Bolt



K71-370-00

Rubber Spring Eye Bushing K71-370-00

Fits Dexter 10K-15K axles.

DX Part No.	Quantity	Part Description
014-069-00	1	Spring Eye Bushing



K71-372-00

Rubber Equalizer Bushing K71-372-00

Fits Dexter 10K-15K axles.

DX Part No.	Quantity	Part Description
014-070-00	1	Equalizer Bushing

Rubber Equalizer Bushing K71-371-00

Fits Dexter 8K-9K axles.

DX Part No.	Quantity	Part Description
014-074-00	1	Equalizer Bushing



K71-366-00

Slipper Spring Kit

K71-365-00

For 2" wide slipper springs for 33.5" axle spacing (A/P 202).

DX Part No.	Quantity	Part Description
006-007-00	4	Spring Eye Bolt Nut
006-011-00	4	Keeper Bolt Nut
006-111-00	2	Equalizer Nut
007-001-01	2	Equalizer Bolt
007-007-00	4	Keeper Bolt
007-017-00	4	Spring Eye Bolt
013-004-00	2	Equalizer

Slipper Spring Kit

K71-366-00

For 2" wide slipper springs for 36" axle spacing (A/P 216).

DX Part No.	Quantity	Part Description
006-007-00	4	Spring Eye Bolt Nut
006-011-00	4	Keeper Bolt Nut
006-111-00	2	Equalizer Nut
007-001-01	2	Equalizer Bolt
007-007-00	4	Keeper Bolt
007-017-00	4	Spring Eye Bolt
013-044-01	2	Equalizer



K71-291-00

Bronze Bushing

K71-291-00

For spring eye and equalizer. 1.74 long, .575 ID, .698 OD.

DX Part No.	Quantity	Part Description
014-077-00	4	Bronze Bushing



K71-292-00

Grease Fitting

K71-292-00

1/4-28 for .230/.235 dia.hole. Fits E-Z Lube® spindles, shackle and hanger bolts.

DX Part No.	Quantity	Part Description
061-007-00	2	Grease Fitting



K71-632-01

Air Control Kit

K71-632-01

For tandem Dexter Airflex® axles.

DX Part No.	Quantity	Part Description
007-265-00	1	Bolt, 1/4-20 x 3 1/4"
033-085-00	1	Spacer
034-286-00	1	18 ft. Air Line Tubing, 1/4"
034-287-00	1	Linkage Pack (links, bolts, nuts, washers)
034-288-00	2	8 ft. Air Line Tubing, 3/8"
034-289-00	1	Height Control Valve
034-290-00	1	Push-to-Connect Tee Fitting
034-291-00	2	Push-to-Connect Elbow Fitting
034-292-00	2	Push-to-Connect Branch Tee Fitting
059-858-00	1	Instruction Sheet
n/a	6	Nylon Tie Wrap

Replacement parts that are not available should be obtained locally.



K71-632-02

Air compressor & Tank Kit

K71-632-02

For Dexter Airflex® axles.

DX Part No.	Quantity	Part Description
034-290-00	1	Push-to-Connect 1/4" x 1/4" x 1/4" T-Fitting
034-293-00	1	Compressor
034-294-00	1	50 Ft. Air Line Tubing 1/4"
034-295-00	1	Air Tank
034-296-00	1	Compressor T-Fitting
034-297-00	2	Push-to-Connect 1/4" NPT
034-298-00	1	Pressure Switch
034-302-00	1	Manual Inflation Valve
034-303-00	1	Tank Drain Cock
034-310-00	1	Check Valve
059-859-00	1	Instruction Sheet
n/a	1	Female Spade Terminal
n/a	1	1/4" NPT Pipe Plug
n/a	4	3/8"-16 x 1" Hex Bolt
n/a	4	3/8"-16 Flanged Nut
n/a	4	3/8" Flat Washer
n/a	3	10-32 x 1" Machine Screw
n/a	3	10-32 Nylon Lock Nut
n/a	6	3/16" Flat Washer
n/a	1	15 ft. 16 Gage Wire
n/a	1	Quick-Splice Connector
n/a	1	Fuse Holder
n/a	1	20 Amp Blade Fuse
n/a	12	Nylon Tie Wrap

Replacement parts that are not available should be obtained locally.



K71-632-03

Air Dump Valve

K71-632-03

For Dexter Airflex® axles.

DX Part No.	Quantity	Part Description
034-286-00	1	18 ft. Air Line Tubing, 1/4"
034-299-00	1	Dump Valve
059-860-00	1	Instruction Sheet
n/a	6	Nylon Tie Wraps
n/a	2	1/8" NPT Male Fitting Push Connector

Replacement parts that are not available should be obtained locally.



K71-632-04

Axle Add-On Plumbing

K71-632-04

For each additional Dexter Airflex® axle beyond tandems.

DX Part No.	Quantity	Part Description
034-288-00	1	8 ft. Air Line Tubing, 3/8"
034-291-00	2	Push-to-Connect Elbow Fitting
034-292-00	2	Push-to-Connect Branch Tee Fitting
n/a	6	Nylon Tie Wraps

Replacement parts that are not available should be obtained locally.

INDEX BY KIT & PAGE NUMBER



058-008-0021	K08-287-9A69	K23-320-00..... 11	K23-404-00..... 18	K23-464-00..... 10
K08-091-90.....56	K08-287-9B69	K23-321-00..... 11	K23-405-00..... 18	K23-465-00..... 10
K08-091-9156	K08-288-90.....70	K23-322-00..... 10	K23-406-00.....20	K23-466-00..... 9
K08-174-90.....63	K08-288-9170	K23-323-00..... 10	K23-407-00.....20	K23-467-00..... 9
K08-174-93.....63	K08-393-90.....66	K23-324-00..... 10	K23-408-00.....20	K71-038-00.....76
K08-201-90.....61	K08-407-90.....61	K23-325-00..... 10	K23-409-00.....20	K71-045-00.....29
K08-201-9163	K23-026-00..... 4	K23-326-00..... 8	K23-410-00..... 17	K71-046-00..... 30
K08-201-94.....61	K23-027-00..... 4	K23-327-00..... 8	K23-411-00..... 17	K71-047-00..... 30
K08-201-95.....63	K23-047-00..... 3	K23-328-00..... 8	K23-412-00..... 17	K71-048-00..... 31
K08-201-9762	K23-048-00..... 3	K23-329-00..... 8	K23-413-00..... 17	K71-049-00..... 35
K08-201-98.....62	K23-086-00..... 4	K23-330-00..... 6	K23-414-00..... 18	K71-050-00..... 35
K08-201-9A63	K23-087-00..... 4	K23-331-00..... 6	K23-415-00..... 18	K71-051-00..... 37
K08-213-90.....62	K23-103-00..... 3	K23-332-00..... 13	K23-416-00..... 19	K71-052-00..... 37
K08-219-90.....64	K23-104-00..... 3	K23-333-00..... 13	K23-417-00..... 19	K71-053-00..... 39
K08-219-9164	K23-105-00..... 7	K23-334-00..... 13	K23-418-00..... 16	K71-054-00..... 39
K08-219-96.....64	K23-106-00..... 7	K23-335-00..... 13	K23-419-00..... 16	K71-057-00..... 27
K08-219-9C64	K23-112-00..... 7	K23-336-00..... 12	K23-420-00..... 16	K71-080-00..... 23
K08-219-9D65	K23-113-00..... 7	K23-337-00..... 12	K23-421-00..... 16	K71-081-00..... 23
K08-231-9B65	K23-162-00..... 20	K23-338-00..... 12	K23-428-00..... 15	K71-082-00..... 23
K08-247-90.....57	K23-163-00..... 20	K23-339-00..... 12	K23-429-00..... 15	K71-098-00..... 42
K08-247-93.....57	K23-165-00..... 20	K23-340-00..... 14	K23-432-00..... 15	K71-101-00..... 45
K08-247-94.....58	K23-166-00..... 20	K23-340-01 14	K23-433-00..... 15	K71-102-00..... 40
K08-248-90.....58	K23-168-00..... 19	K23-341-00..... 14	K23-434-00..... 15	K71-104-00..... 28
K08-248-92.....58	K23-169-00..... 19	K23-341-01 14	K23-435-00..... 15	K71-105-00..... 28
K08-248-95.....59	K23-171-00..... 16	K23-342-00..... 14	K23-436-00..... 18	K71-125-00..... 28
K08-249-90.....59	K23-172-00..... 16	K23-342-01 14	K23-437-00..... 18	K71-127-00..... 31
K08-249-9159	K23-180-00..... 9	K23-343-00..... 14	K23-438-00..... 18	K71-133-00..... 41
K08-250-90.....59	K23-181-00..... 9	K23-343-01 14	K23-439-00..... 18	K71-135-00..... 46
K08-250-9160	K23-210-00..... 17	K23-344-00..... 7	K23-440-00..... 19	K71-136-00..... 43
K08-251-90.....60	K23-211-00..... 17	K23-344-01 7	K23-441-00..... 19	K71-138-00..... 41
K08-256-90.....60	K23-222-00..... 19	K23-345-00..... 7	K23-442-00..... 19	K71-148-00..... 76
K08-256-9160	K23-223-00..... 19	K23-345-01 7	K23-443-00..... 19	K71-152-00..... 40
K08-257-90.....56	K23-228-00..... 20	K23-385-00..... 17	K23-444-00..... 19	K71-165-00..... 36
K08-257-9156	K23-229-00..... 20	K23-386-00..... 17	K23-445-00..... 19	K71-166-00..... 36
K08-258-9157	K23-234-00..... 17	K23-387-00..... 16	K23-446-00..... 19	K71-167-00..... 38
K08-259-9157	K23-235-00..... 17	K23-388-00..... 16	K23-447-00..... 19	K71-168-00..... 38
K08-285-90.....67	K23-252-00..... 16	K23-395-00..... 17	K23-448-00..... 15	K71-169-00..... 40
K08-285-92.....67	K23-253-00..... 16	K23-396-00..... 17	K23-449-00..... 15	K71-170-00..... 40
K08-285-93.....67	K23-310-00..... 6	K23-398-00..... 4	K23-450-00..... 15	K71-175-01 92
K08-285-94.....68	K23-311-00..... 6	K23-399-00..... 4	K23-451-00..... 15	K71-177-00..... 27
K08-285-95.....68	K23-312-00..... 5	K23-400-00..... 6	K23-454-00..... 5	K71-180-00..... 41
K08-285-96.....68	K23-313-00..... 5	K23-401-00..... 6	K23-455-00..... 5	K71-181-00..... 26
K08-285-9766	K23-318-00..... 11	K23-402-00..... 16	K23-458-00..... 8	K71-267-00..... 30
K08-287-9769	K23-319-00..... 11	K23-403-00..... 16	K23-459-00..... 8	K71-268-00..... 32

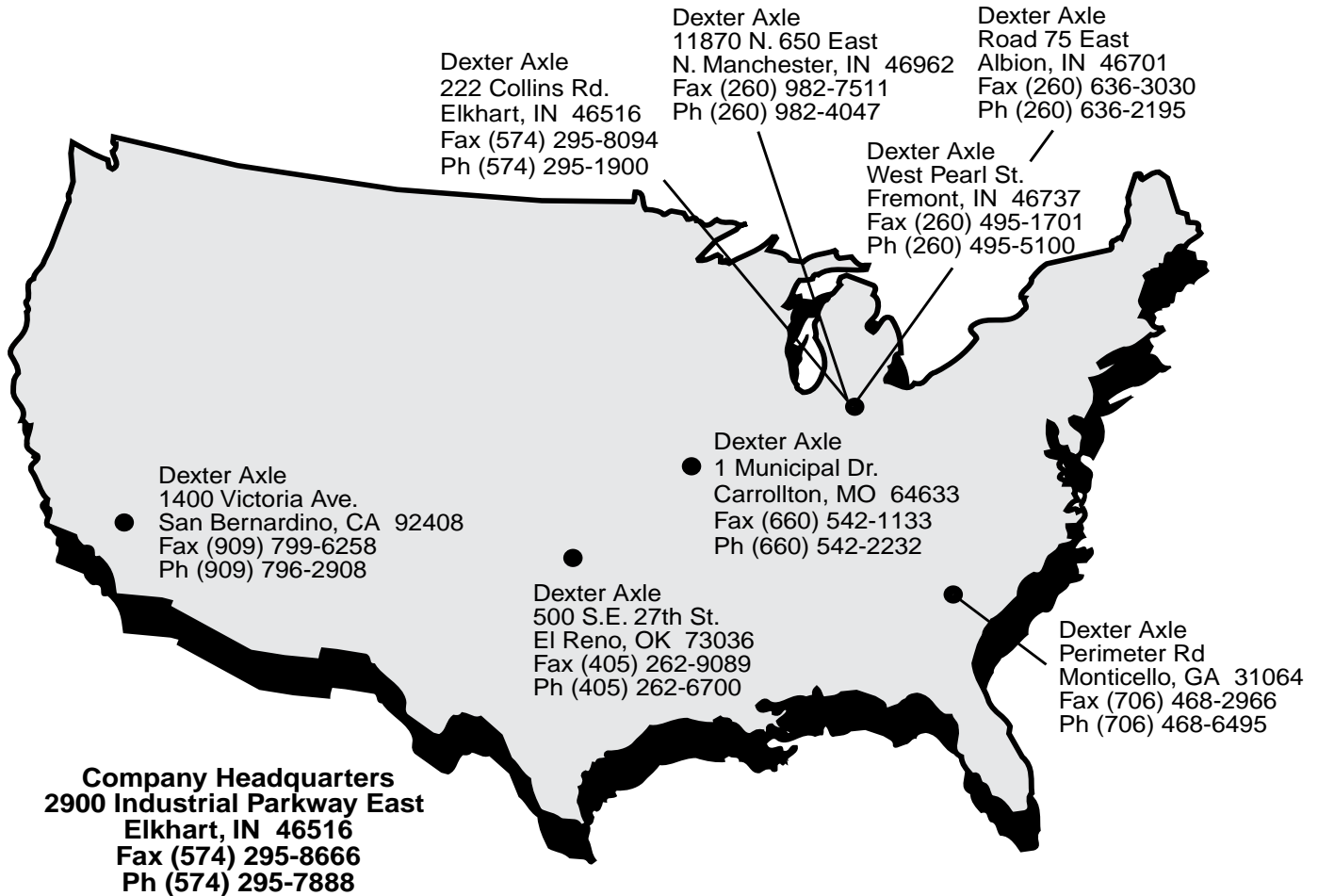
INDEX BY KIT & PAGE NUMBER



K71-269-00.....33	K71-340-00.....22	K71-404-00.....77	K71-502-00.....39
K71-270-00.....33	K71-341-00.....83	K71-405-00.....77	K71-503-00.....39
K71-278-00.....45	K71-342-00.....81	K71-406-00.....78	K71-504-00.....50
K71-288-00.....93	K71-345-00.....80	K71-407-00.....80	K71-505-00.....50
K71-289-00.....93	K71-346-00.....80	K71-410-00.....34	K71-506-00.....48
K71-290-00.....93	K71-347-00.....82	K71-411-00.....50	K71-508-00.....2
K71-291-00.....95	K71-354-00.....83	K71-412-00.....47	K71-509-00.....2
K71-292-00..74,95	K71-355-00.....82	K71-415-00.....73	K71-510-00.....2
K71-293-00.....92	K71-356-00.....82	K71-417-00.....51	K71-511-00.....2
K71-294-00.....92	K71-358-00.....85	K71-418-00.....50	K71-622-00.....84
K71-295-00.....80	K71-359-00.....85	K71-419-00.....77	K71-623-00.....41
K71-296-00.....81	K71-360-00.....86	K71-420-00.....77	K71-624-00.....24
K71-297-00.....81	K71-361-00.....46	K71-421-00.....48	K71-625-00.....24
K71-298-00.....80	K71-362-00.....46	K71-422-00.....48	K71-626-00.....71
K71-299-00.....81	K71-363-00.....47	K71-423-00.....31	K71-629-00.....42
K71-300-00.....82	K71-364-00.....76	K71-424-00.....23	K71-630-00.....25
K71-301-00.....78	K71-365-00.....95	K71-425-00.....23	K71-631-00.....71
K71-302-00.....78	K71-366-00.....95	K71-426-00.....47	K71-632-01.....96
K71-303-00.....78	K71-367-00.....83	K71-427-00.....33	K71-632-02.....96
K71-304-00.....78	K71-370-00.....94	K71-428-00.....33	K71-632-03.....97
K71-305-00.....79	K71-371-00.....94	K71-434-00.....47	K71-632-04.....97
K71-306-00.....72	K71-372-00.....94	K71-437-00.....36	K71-633-00.....53
K71-307-00.....72	K71-375-00.....28	K71-438-00.....37	K71-634-00.....53
K71-308-00.....72	K71-376-00.....29	K71-439-00.....51	K71-635-00.....55
K71-309-00.....73	K71-377-00.....29	K71-440-00.....48	K71-636-00.....25
K71-310-00.....72	K71-378-00.....29	K71-441-00.....28	K71-637-00.....71
K71-311-00.....77	K71-384-00.....91	K71-444-00.....37	K71-638-00.....54
K71-312-00.....77	K71-385-00.....91	K71-445-00.....37	K71-639-00.....54
K71-313-00.....77	K71-386-00.....79	K71-448-00.....86	K71-640-00.....22
K71-314-00.....75	K71-387-00.....79	K71-449-00.....87	K71-641-00.....22
K71-315-00.....73	K71-388-00.....79	K71-453-00.....87	K71-642-00.....75
K71-316-00.....75	K71-389-00.....79	K71-458-00.....52	K71-643-00.....75
K71-317-00.....73	K71-390-00.....72	K71-459-00.....52	K71-644-00.....75
K71-318-00.....76	K71-391-00.....92	K71-460-00.....43	K71-646-00.....55
K71-319-00.....74	K71-393-00.....31	K71-461-00.....44	K71-647-00.....54
K71-320-00.....74	K71-394-00.....32	K71-465-00.....53	K71-648-00.....54
K71-321-00.....84	K71-395-00.....32	K71-466-00.....29	K71-650-00.....21
K71-322-00.....84	K71-396-00.....49	K71-472-00.....51	K71-651-00.....21
K71-323-00.....49	K71-397-00.....49	K71-496-00.....35	K71-652-00.....89
K71-324-00.....49	K71-398-00.....50	K71-497-00.....35	K71-653-00.....90
K71-335-00.....83	K71-399-00.....44	K71-498-00.....36	K71-654-00.....90
K71-337-00.....22	K71-401-00.....88	K71-499-00.....36	K71-655-00.....91
K71-338-00.....22	K71-402-00.....89	K71-500-00.....38	K71-670-00.....26
K71-339-00.....22	K71-403-00.....88	K71-501-00.....38	K71-672-00.....30

Genuine Dexter axles and components are available nationwide from our plant locations listed below or through our network of distributors. Check our website for the distributor nearest you.

Visit us online at www.dexteraxle.com



**NO PART OF THIS CATALOG MAY BE REPRODUCED WITHOUT DEXTER AXLE'S PERMISSION.
ALL PART NUMBERS, DIMENSIONS AND SPECIFICATIONS IN THIS CATALOG ARE SUBJECT
TO CHANGE WITHOUT NOTICE.**



DEXTER AXLE

www.dexteraxle.com

2900 Industrial Parkway East • Elkhart, IN 46516

Fax: 574-295-8666 • Ph. 574-295-7888