

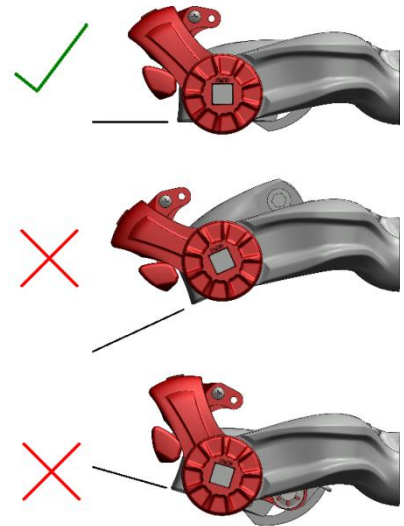
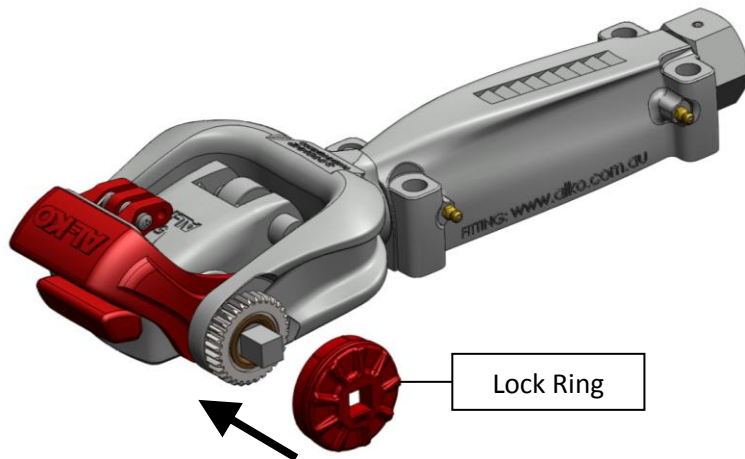
OFF ROAD COUPLING



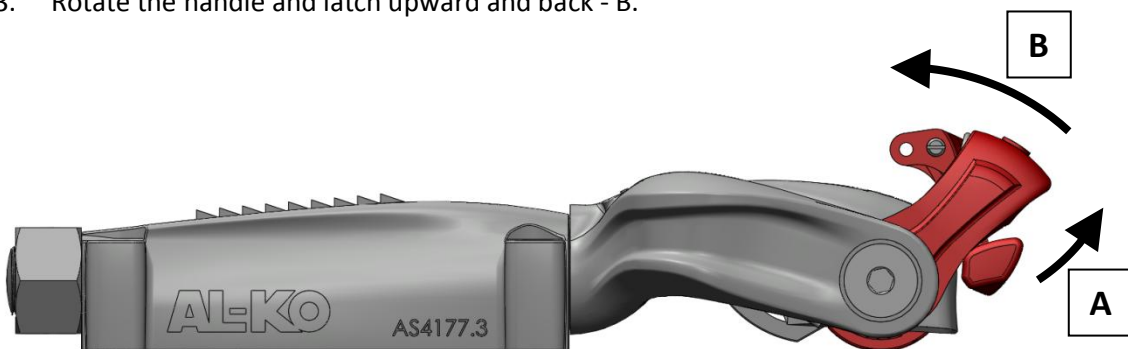
Instructions for use

To attach coupling to towball:

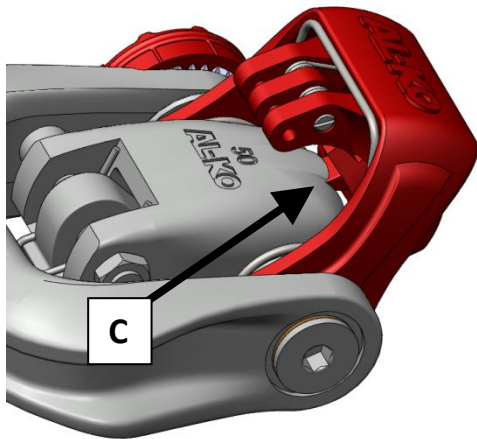
1. Fit the plastic lock ring to square shaft and gear on the left side of the coupling. Make sure that the head of the coupling is approximately horizontal.



2. Pull the latch out toward the handle - A.
3. Rotate the handle and latch upward and back - B.



4. With the handle and latch pulled back, position the coupling on the towball. Ensure that a 50mm towball is fitted to the tow vehicle. No other size towball is safe to use with the coupling.
5. Release the handle and latch.
6. Check that the latch has released and is engaged in the head of the coupling - C.



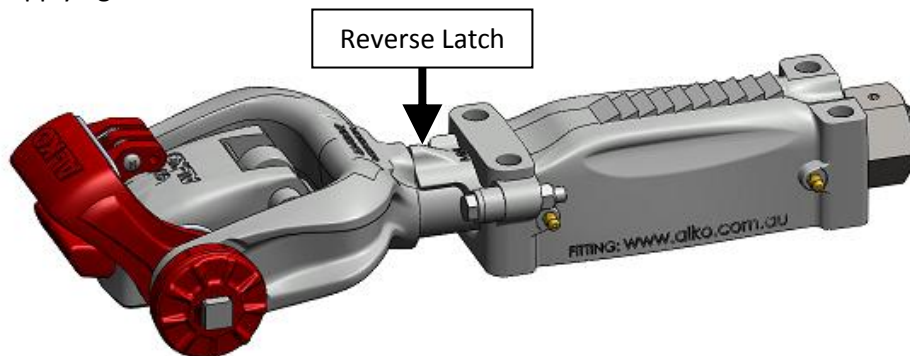
7. Ensure that the ball is fully latched by attempting to lift the coupling vertically off the ball.
8. Remove the plastic lock ring and store in a safe place in the caravan/trailer.
9. Connect all cable connectors and safety chains.

To detach coupling from towball:

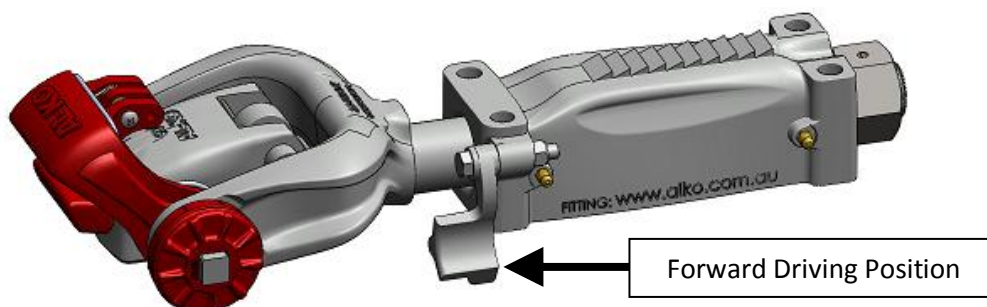
1. Disconnect all cable connectors and safety chains.
2. Use the jockey wheel to take the weight off the ball until the head of the coupling is able to rotate.
3. Fit the plastic lock ring to the side of the coupling.
4. Pull the latch out and rotate the handle and latch up and back.
5. Raise the coupling from the towball.
6. Release the handle and trigger.
7. Remove the plastic lock ring and store in a safe place in the caravan/trailer.

OVERRIDE Off Road Coupling ONLY

1. Before reversing the trailer, flip the reverse latch onto the shaft to prevent the override function from applying the trailer brakes.

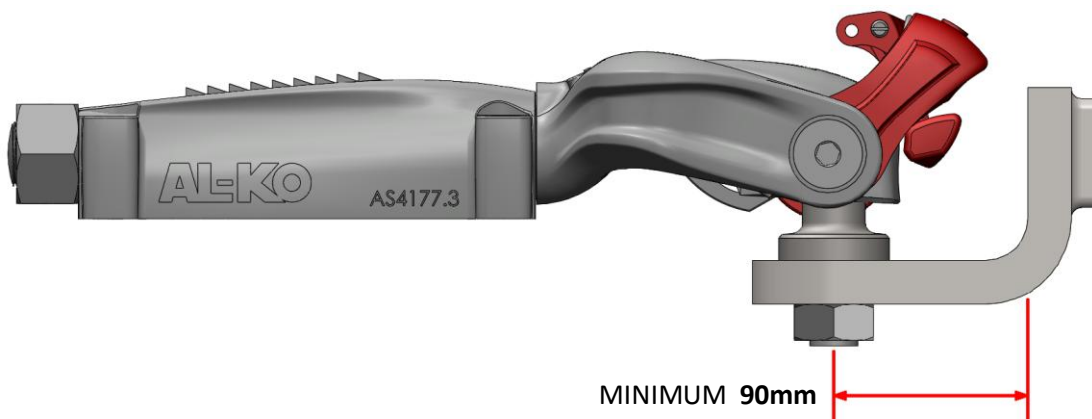


2. After reversing, flip the reverse latch off the shaft to allow full override brake function.

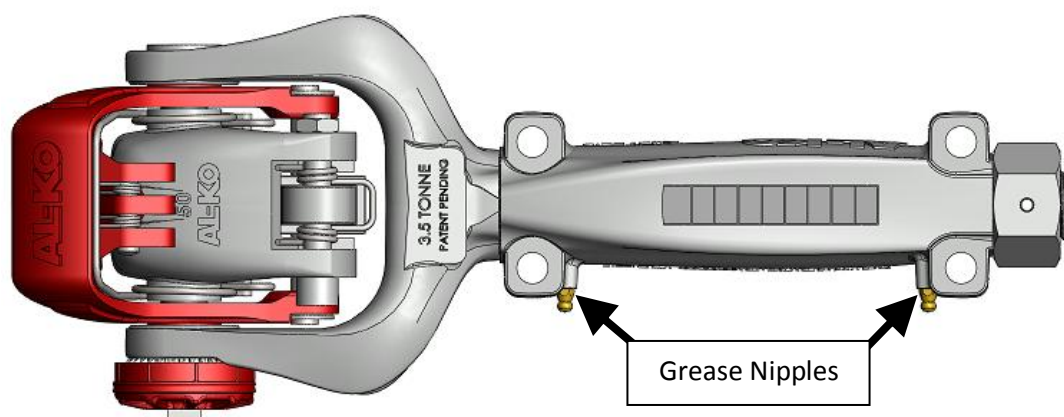


Fitting Instructions

1. Use four M12 or ½ inch Grade 8.8 Bolts to attach the coupling to the drawbar.
2. Bolts should be fastened with either nyloc nuts or plain nuts with spring washers.
3. Bolts should be of an appropriate length to ensure 100% thread engagement of the nut. At least one full thread must protrude past the nut. Please consult your bolt supplier to determine the recommended tightening torque of bolts.
4. Ensure that the coupling is only used with a 50mm towball. No other size ball is suitable for use with the ALKO Off Road Coupling.
5. Check that there is enough clearance on the tow hitch – refer to diagram below. Some towbar designs are not compatible with the off road coupling.



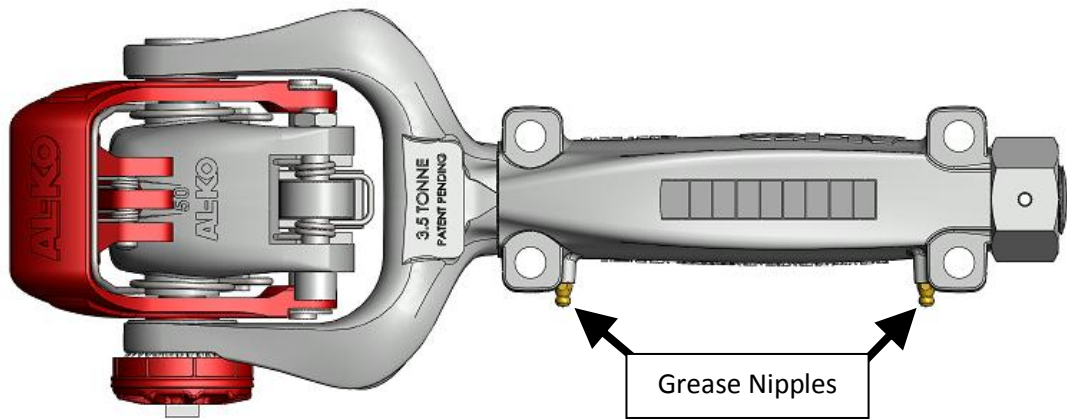
6. Grease the shaft by pumping multi purpose grease into the grease nipples at the front and rear of the body until a small amount of grease appears from each end of the shaft - see diagram.



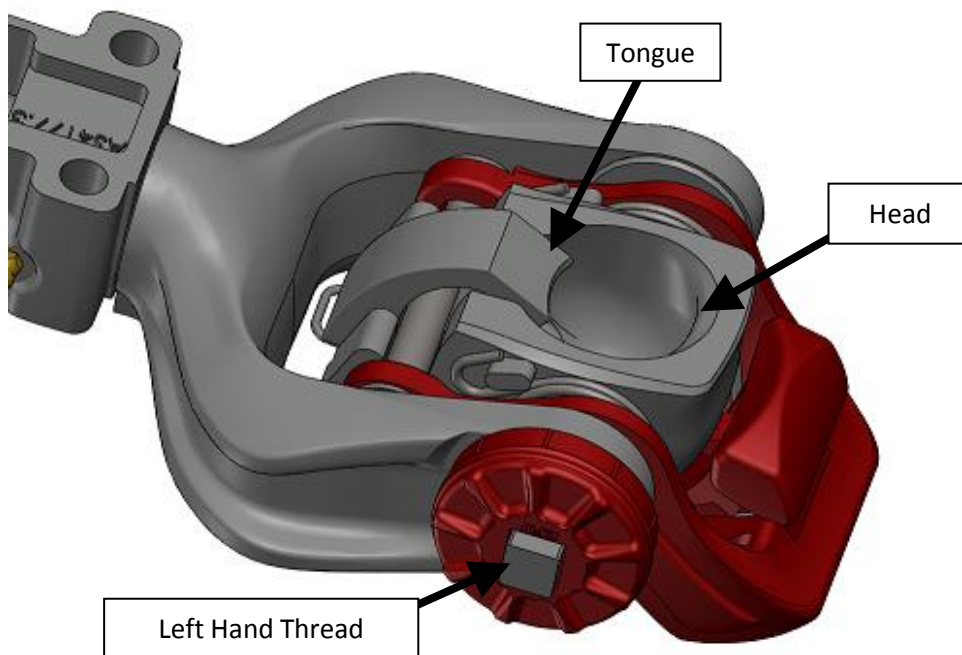
7. If traveling off road, do not use load levelling devices with your off road coupling. The off road coupling is designed for applications which require a large amount of articulation and may interfere with load levelling devices.

Maintenance

- Grease the shaft by pumping multi purpose grease into the grease nipples at the front and rear of the body until a small amount of grease appears from each end of the shaft - see diagram below.




- Check wear of ball cavity and tongue. If excessive wear is present, the head and tongue will need replacing.



- Check that no parts are damaged and replace any parts as required. Refer to spare parts list below for part numbers.

Note that the square ended pin has a left handed thread.

Replacement Part	Description	Part Number
	Lock Ring	619931