



Hayman Reese Fifth Wheel & Gooseneck

Universal Rail Kit Fitting Guide

Kit Part No. FW9001



Important Installation Notes

This kit contains two rails and basic brackets to assist mounting the rails on a tray based vehicle. It is designed to be used in conjunction with our Euro Hitch, 30123.

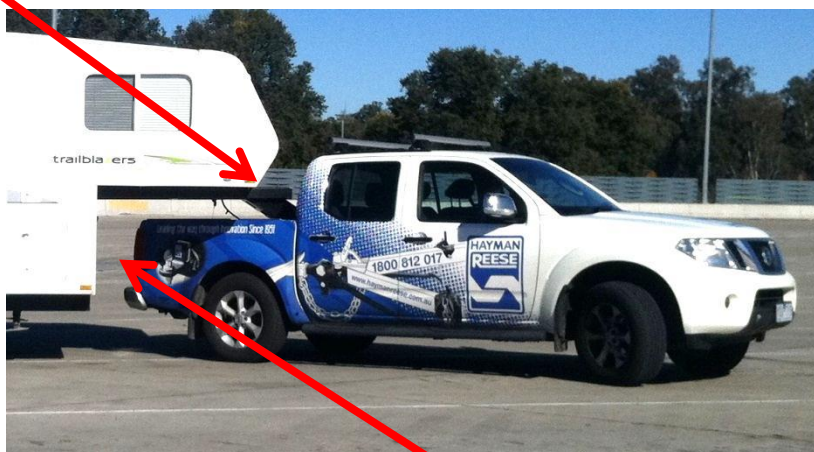
IMPORTANT - Before installing this kit on the vehicle, consider very carefully the location of the hitch to ensure that the turning clearance between the rear of the cab and the front of the caravan is sufficient.

Checking the swing clearance can be done by positioning the end of a tape measure on the King Pin of the fifth wheel caravan or trailer and then swinging an arc through 90 degrees from directly forward to fully sideways. The largest measurement recorded will be the MINIMUM swing clearance required between the hitch and the rear of the cab.

It is also important to check that the front of the caravan does not protrude any further than the distance measured, for example as shown below as this may reduce the swing clearance whilst on uneven ground, for example whilst ramping up a kerb or driveway.

Note that the use of a Hayman Reese Sidewinder Pin box will affect the result and may reduce the clearance required. Guidance on this is available in the Fitting / User Instructions provided with the Hayman Reese Sidewinder Pin Box.

On uneven ground, this caravan geometry may reduce the actual clearance between the rear of the cab and the caravan when on uneven ground.



Also consider the clearance between the front skirt of the caravan and the rear corner of the vehicle (and also the tailgate when down) where applicable.

Important Installation Notes (continued)

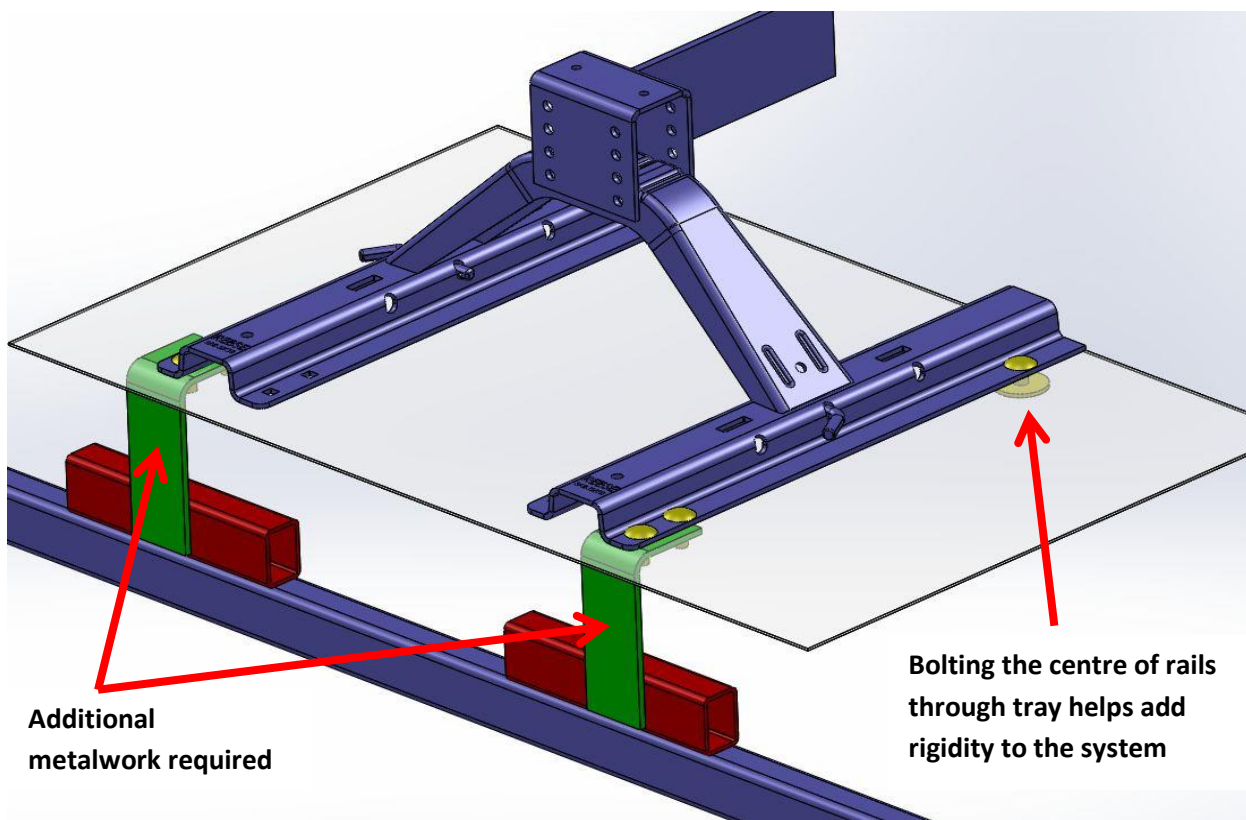
Check also that the tray material is suitable for supporting the clamp loads of the bolts between the rails and the underside of the tray. Steel and aluminium trays are acceptable. Any plastic liners or wooden components are NOT acceptable and may result in the rail securing bolts coming loose.

On vehicles where the gap between the underside of the tray and the vehicle chassis is large and the brackets supplied in this kit are too short, additional metalwork WILL be required underneath the tray to which the enclosed brackets can be attached. This additional metalwork must be securely attached to the vehicle chassis and thus allow the towing loads to be transferred to the vehicle chassis correctly. See diagram below. Guidance on the size and position of such metalwork (and appropriate method of attachment) is beyond the scope of these instructions. Further guidance should be sought from the Approved Engineer who will be used to sign off the installation once complete.

Where appropriate, using the additional bolts at the centre of the rails (with large washers underneath) can often utilise the inherent strength of the tray and assist in improving the rigidity of the rail system.

Please note that the above attachment method is ONLY applicable to the central rail holes and IS NOT SUITABLE for all rail fixing points. The overall strength of the system is reliant upon using additional hardware under the tray to ensure the towing loads are transferred through to the vehicle chassis. These central bolts through the tray simply assist in adding some rigidity to the centre of the rail.

Always ensure that high tensile fasteners are used throughout and that the correct torque figures are used when tightening bolts.



Guidance on obtaining compliance approval

This kit and installation will NOT be compliant once fitted to the vehicle without approval from a suitably qualified (and State / Territory approved) Vehicle Modification Approval Engineer.

The rail kit (part number 30035) kit has been tested and approved in accordance with ADR 62/02 for use in this application up to a D Value of 14.9 KN.

The Euro Hitch 30123 has been approved to 3500kg ATM towing. However, this is NOT its rating in all applications. The maximum tow rating of the kit may vary depending on how it is mounted on to the vehicle and must also take into consideration the tow rating for the vehicle, up to the maximum stated above.

The Approved Engineer who signs off the installation will make this assessment after inspecting the installation.

Hayman Reese does NOT in any circumstances consider the installation of this kit on a vehicle as an approved installation without the assessment of a suitably qualified Engineer, who is licensed to sign off such installations in the relevant State or Territory.

How to find an Approved Engineer


Each States and Territory have a system in place to approve vehicle modifications. The installation of this kit on vehicles in the Light Vehicle category falls within such schemes.

Further information on the Vehicle modification / Approved Engineer Scheme and approval requirements for each region can be found by contacting the appropriate State or Territory in which the vehicle is registered:-

State / Territory	Website	Telephone
ACT	www.act.gov.au	13 22 81
NSW	www.rms.nsw.gov.au	1300 336 206
NT	www.mvr.nt.gov.au	1300 654 628
QLD	www.tmr.qld.gov.au/	13 74 68
SA	www.sa.gov.au	1300 882 248
TAS	www.transport.tas.gov.au	1300 851 225
VIC	www.vicroads.vic.gov.au	13 11 71
WA	www.transport.wa.gov.au	(08) 6551 6000

Completing the CP Label – To be done by the Approved Engineer

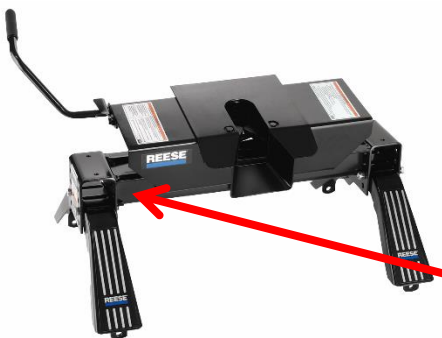
The Compliance Plate label included within this kit MUST ONLY be completed by the Approved Engineer who is signing off the installation. This Compliance Plate will NOT be valid if it is completed by anyone else.

	HAYMAN REESE FIFTH WHEEL COUPLING - CLASS G50-X
RAIL KIT PART No. : 30035	HITCH No. : 30123
USE WITH MODEL: _____	
MAX ALLOWABLE TRAILER MASS (ATM): _____ KG	} Note 1
D VALUE (WHERE APPLICABLE): _____ KN	
THIS RATING HAS BEEN ASSESSED BY:	
NAME OF ENGINEER: _____	} Note 2
COMPANY NAME: _____	
CERTIFICATION NUMBER: _____	
VEHICLE VIN NUMBER: _____	} Note 3
<small>THIS COMPLIANCE LABEL IS ONLY VALID WHEN COMPLETED AND SIGNED BY AN APPROVED ENGINEER WITH AUTHORITY IN THE RELEVANT STATE OR TERRITORY. ONCE COMPLETED, THIS KIT IS COMPLIANT WITH ADR 62/02.</small>	

Note 1: This information is assessed by the Approved Engineer. The D Value rating is NOT required under 3500kg ATM. The words “Use with Model” are specified in ADR 62/02. For further guidance on this, please refer to ADR 62/02.

Note 2: The details of the Approved Engineer are entered here, including their registration / Certificate number relating to the installation.

Note 3: Completion of the VIN field will ensure the hitch is only approved when on the specific vehicle to which it was originally fitted and assessed.



Once completed, the label should be affixed to the hitch on the vertical side face of the cross beam, facing rearwards, when the hitch is on the vehicle.

Please note that this label is manufactured from a special material and it is non-removable. Once it has been affixed, it cannot be peeled or torn off and any attempt to do so will result in the label breaking up and being destroyed. Take extra care when affixing this to ensure it is in the correct location.

For further information or assistance, please contact Hayman Reese Customer Care line on 1-800 812 017.