

Grease Lube Parts

Item	Part No.	Description
1	010-009-00	Grease Seal
1A	010-060-00	Grease Seal for E-Z Lube®
2	031-031-02	L44649 Inner Bearing Cone
3	031-031-01	L44610 Inner Bearing Cup
4	031-031-01	L44610 Outer Bearing Cup
5	031-031-02	L44649 Outer Bearing Cone
6	006-176-00	Spindle Nut
7	019-002-00	Cotter Pin (not used with E-Z Lube®)
8	021-003-00	Grease Cap
8A	021-041-01	Grease Cap for E-Z Lube®
8B	085-001-00	Rubber Plug for E-Z Lube®
9	007-040-00	Wheel Bolt
11	005-101-00	Tang Washer for E-Z Lube® (before 2002)
11A	005-151-00	Spindle Washer for E-Z Lube® (before 2002)
12	005-023-00	Spindle Washer for E-Z Lube® (after 2002)
29	006-190-00	Spindle Nut Retainer for E-Z Lube® (after 2002)
30	006-191-00	Special Jam Nut for E-Z Lube® (after 2002)

Brakes

Item	Part No.	Description
20	K23-047-00/K23-048-00	LH/RH 7"x1¼" Electric
ns	K23-103-00/K23-104-00	LH/RH 7"x1¼" Electric w/park
ns	K23-398-00/K23-399-00	LH/RH 7"x1¼" Hydraulic Uni-servo

ns - not shown

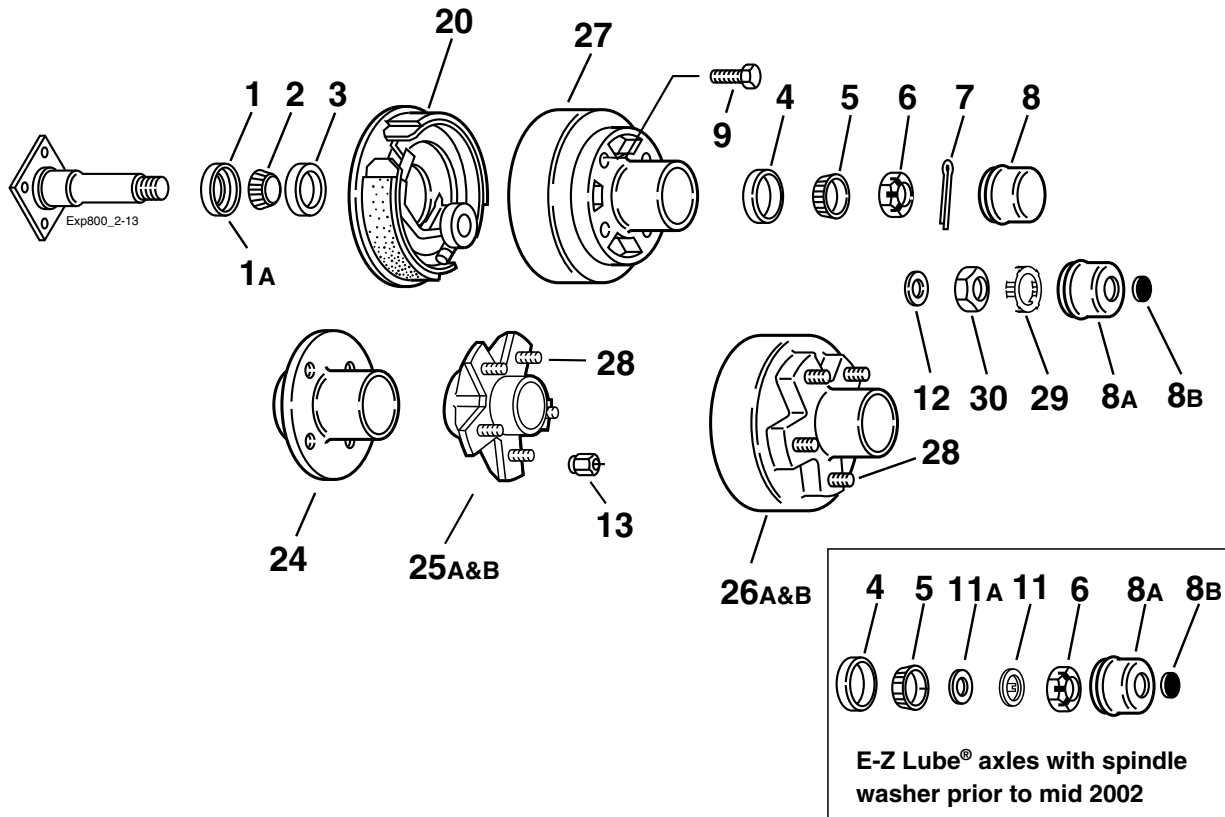
Note: Spindle is not available for resale.

Hubs

Item	Part No.	Description	Bolt Circle
Hubs and Drums			
ns	008-173-16	½" Studs, elec. brakes ONLY	4 on 4.00
ns	008-276-05	½" Studs, hyd. brakes ONLY	4 on 4.00
26A	008-257-05	½" Studs, elec. brakes ONLY	5 on 4.50
26B	008-271-07	½" Studs, hyd. brakes ONLY	5 on 4.50
27	008-173-15	½" Tapped, elec. brakes ONLY	4 on 4.00
ns	008-257-04	½" Tapped, elec. brakes ONLY	5 on 4.50
ns	008-271-04	½" Tapped, hyd. brakes ONLY	5 on 4.50
Plain Hubs			
ns	008-091-05	½" Studs	4 on 4.00
24	008-091-04	½" Tapped	4 on 4.00
25A	008-259-05	½" Studs, 8"-12" wheels ONLY	5 on 4.50
25B	008-258-05	½" Studs, 13"-15" wheels ONLY	5 on 4.50
ns	008-259-04	½" Tapped, 8"-12" wheels ONLY	5 on 4.50
ns	008-258-04	½" Tapped, 13"-15" wheels ONLY	5 on 4.50

Studs & Wheel Nuts

Item	Part No.	Description
9	007-040-00	½-20 Wheel Bolt
13	006-080-00	½-20 60° Cone Nut
28	007-246-00	½-20 Press-in Stud



Grease Lube Parts

Item	Part No.	Description
1	010-009-00	Grease Seal
1A	010-060-00	Grease Seal for E-Z Lube®
2	031-031-02	L44649 Inner Bearing Cone
3	031-031-01	L44610 Inner Bearing Cup
4	031-031-01	L44610 Outer Bearing Cup
5	031-031-02	L44649 Outer Bearing Cone
6	006-176-00	Spindle Nut
7	019-002-00	Cotter Pin (not used with E-Z Lube®)
8	021-003-00	Grease Cap
8A	021-041-01	Grease Cap for E-Z Lube®
8B	085-001-00	Rubber Plug for E-Z Lube®
9	007-040-00	Wheel Bolt
11	005-101-00	Tang Washer for E-Z Lube® (before 2002)
11A	005-151-00	Spindle Washer for E-Z Lube® (before 2002)
12	005-023-00	Spindle Washer for E-Z Lube® (after 2002)
29	006-190-00	Spindle Nut Retainer for E-Z Lube® (after 2002)
30	006-191-00	Special Jam Nut for E-Z Lube® (after 2002)

Brakes

Item	Part No.	Description
20	K23-047-00/K23-048-00	LH/RH 7"x1¼" Electric
ns	K23-103-00/K23-104-00	LH/RH 7"x1¼" Electric w/park
ns	K23-398-00/K23-399-00	LH/RH 7"x1¼" Hydraulic Uni-servo

ns - not shown

Note: Spindle is not available for resale.

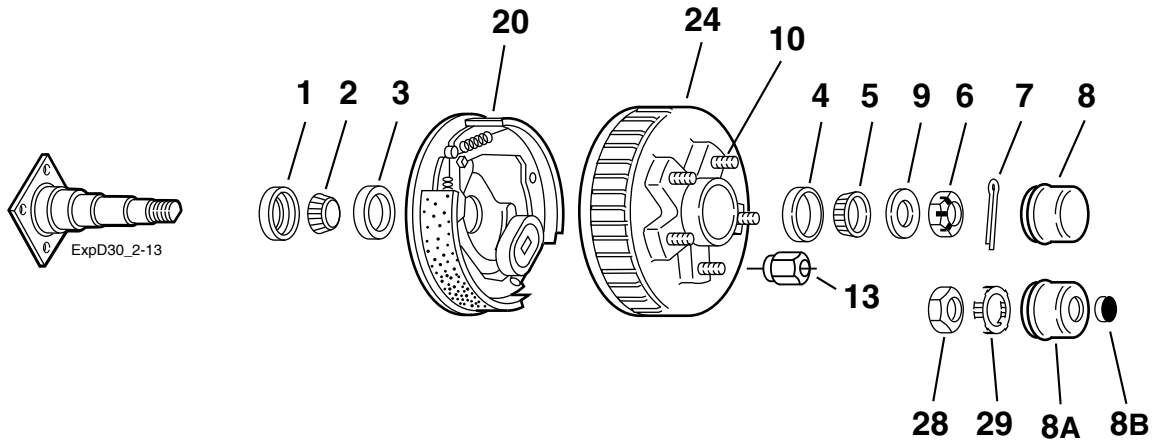
Hubs

Item	Part No.	Description	Bolt Circle
Hubs and Drums			
ns	008-173-16	½" Studs, elec. brakes ONLY	4 on 4.00
ns	008-276-05	½" Studs, hyd. brakes ONLY	4 on 4.00
26A	008-257-05	½" Studs, elec. brakes ONLY	5 on 4.50
26B	008-271-07	½" Studs, hyd. brakes ONLY	5 on 4.50
27	008-173-15	½" Tapped, elec. brakes ONLY	4 on 4.00
ns	008-257-04	½" Tapped, elec. brakes ONLY	5 on 4.50
ns	008-271-04	½" Tapped, hyd. brakes ONLY	5 on 4.50
Plain Hubs			
ns	008-091-05	½" Studs	4 on 4.00
24	008-091-04	½" Tapped	4 on 4.00
25A	008-259-05	½" Studs, 8"-12" wheels ONLY	5 on 4.50
25B	008-258-05	½" Studs, 13"-15" wheels ONLY	5 on 4.50
ns	008-259-04	½" Tapped, 8"-12" wheels ONLY	5 on 4.50
ns	008-258-04	½" Tapped, 13"-15" wheels ONLY	5 on 4.50

Studs & Wheel Nuts

Item	Part No.	Description
9	007-040-00	½-20 Wheel Bolt
13	006-080-00	½-20 60° Cone Nut
28	007-246-00	½-20 Press-in Stud

D30 and #10L 545 Hub Group



Grease Lube Parts

Item	Part No.	Description
1	010-019-00	Grease Seal for E-Z Lube®
2	031-032-02	LM67048 Inner Bearing Cone
3	031-032-01	LM67010 Inner Bearing Cup
4	031-031-01	L44610 Outer Bearing Cup
5	031-031-02	L44649 Outer Bearing Cone
6	006-176-00	Spindle Nut
7	019-002-00	Cotter Pin
8	021-003-00	Grease Cap
8A	021-041-01	Grease Cap for E-Z Lube®
8B	085-001-00	Rubber Plug for E-Z Lube®
9	005-023-00	Spindle Washer
28	006-191-00	Special Jam Nut for E-Z Lube® (after 2002)
29	006-190-00	Spindle Nut Retainer for E-Z Lube® (after 2002)

10" x 1½" Brakes

Item	Part No.	Description
20	K23-472-00/K23-473-00	LH/RH Electric
20	K23-476-00/K23-477-00	LH/RH Nev-R-Adjust®

Note: Spindle is not available for resale.

Hubs

Item	Part No.	Description	Bolt Circle
Hubs and Drums			
24	008-418-02	½" Stud	5 on 4.50

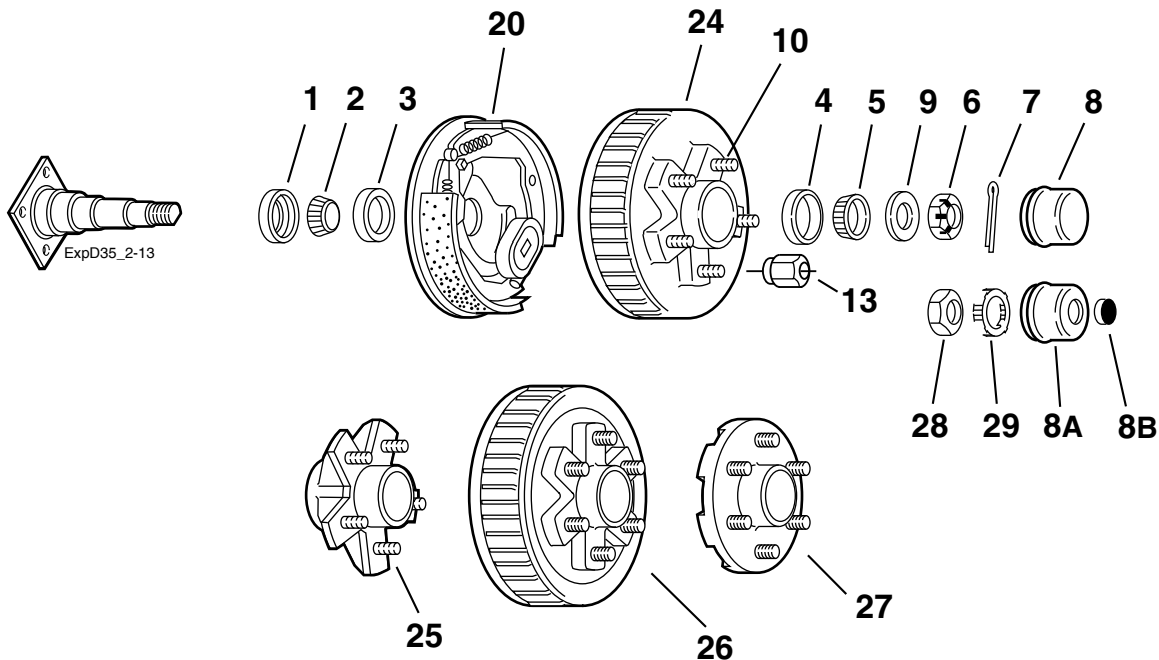
Studs & Wheel Nuts

Item	Part No.	Description
10	007-185-00	½-20 Pressed Wheel Stud
13	006-080-00	½-20 60° Cone Nut

D35, #10 545 and Other Hub Group



2300 - 4000 LBS. CAPACITY



Grease Lube Parts

Item	Part No.	Description
1	010-019-00	Grease Seal for E-Z Lube®
2	031-033-02	L68149 Inner Bearing Cone
3	031-033-01	L68111 Inner Bearing Cup
4	031-031-01	L44610 Outer Bearing Cup
5	031-031-02	L44649 Outer Bearing Cone
6	006-176-00	Spindle Nut
7	019-002-00	Cotter Pin
8	021-003-00	Grease Cap
8A	021-041-01	Grease Cap for E-Z Lube®
8B	085-001-00	Rubber Plug for E-Z Lube®
9	005-023-00	Spindle Washer
28	006-191-00	Special Jam Nut for E-Z Lube® (after 2002)
29	006-190-00	Spindle Nut Retainer for E-Z Lube® (after 2002)

10" x 2¼" Brakes

Item	Part No.	Description
ns	K23-468-00/K23-469-00	LH/RH Electric Nev-R-Adjust®
	K23-026-00/K23-027-00	LH/RH Electric
ns	K23-086-00/K23-087-00	LH/RH Electric w/park
ns	K23-312-00/K23-313-00	LH/RH Hydraulic Uni-servo
ns	K23-330-00/K23-331-00	LH/RH Hydraulic Uni-servo w/park
ns	K23-310-00/K23-311-00	LH/RH Hydraulic Duo-servo
ns	K23-400-00/K23-401-00	LH/RH Hydraulic Duo-servo w/park
ns	K23-344-00/K23-345-00	LH/RH Hydraulic Free Backing
ns	K23-344-01/K23-345-01	LH/RH Hydraulic FB Corrosion Resistant

ns - not shown

Note: Spindle is not available for resale.

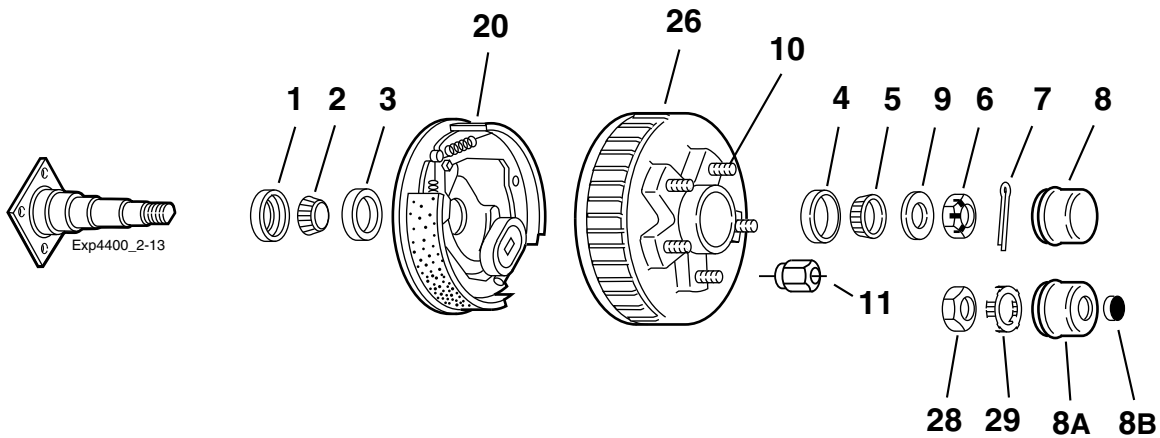
Hubs

Item	Part No.	Description	Bolt Circle
Hubs and Drums			
24	008-247-05	½" Stud	5 on 4.50
24	008-249-07	½" Stud	5 on 5.00
24	008-249-05	½" Stud	5 on 5.50
24	008-247-12	½" Stud	5 on 4.75
26	008-250-05	½" Stud	6 on 5.50
Plain Hubs			
25	008-248-05	½" Stud	5 on 4.50
25	008-248-10	½" Stud	5 on 4.75
25	008-256-07	½" Stud	5 on 5.00
25	008-256-05	½" Stud	5 on 5.50
27	008-251-05	½" Stud	6 on 5.50

Studs & Wheel Nuts

Item	Part No.	Description
10	007-122-00	½-20 Pressed Wheel Stud
13	006-080-00	½-20 60° Cone Nut

#10F 545 Hub Group



Note: Available in 22.5 ° down only
 Only available in custom rubber capacity of 4000#

Grease Lube Parts

Item	Part No.	Description
1	010-019-00	Grease Seal for E-Z Lube®
2	031-033-02	L68149 Inner Bearing Cone
3	031-033-01	L68111 Inner Bearing Cup
4	031-031-01	L44610 Outer Bearing Cup
5	031-031-02	L44649 Outer Bearing Cone
6	006-176-00	Spindle Nut
7	019-002-00	Cotter Pin (not used with E-Z Lube®)
8	021-001-00	Grease Cap
8A	021-042-01	Grease Cap for E-Z Lube®
8B	085-001-00	Rubber Plug for E-Z Lube®
9	005-023-00	Spindle Washer
28	006-191-00	Special Jam Nut for E-Z Lube® (after 2002)
29	006-190-00	Spindle Nut Retainer for E-Z Lube® (after 2002)

10" x 2¼" Brakes

Item	Part No.	Description
20	K23-462-00	LH Electric
20	K23-463-00	RH Electric
ns	K23-478-00	LH Electric Nev-R-Adjust®
ns	K23-479-00	RH Electric Nev-R-Adjust®

ns - not shown

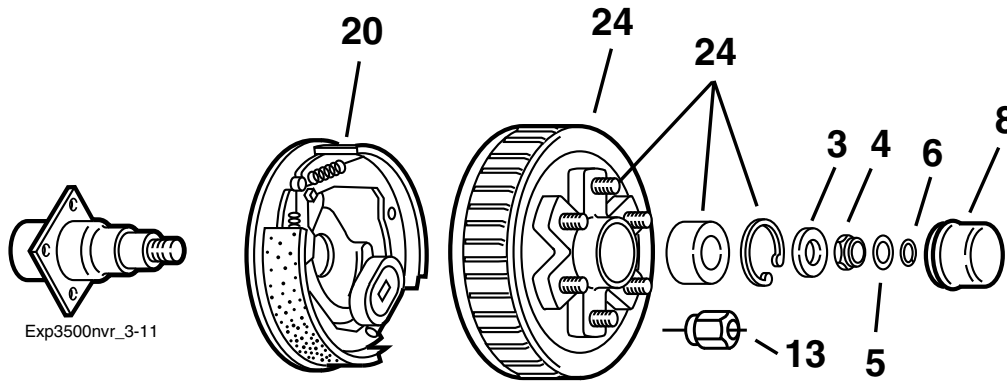
Note: Spindle is not available for resale.

Hubs

Item	Part No.	Description	Bolt Circle
Hubs and Drums			
26	008-426-05	½" Stud	5 on 4.50

Studs & Wheel Nuts

Item	Part No.	Description
10	007-122-00	½-20 Pressed Wheel Stud
11	006-080-00	½-20 60° Cone Nut



Nev-R-Lube® Parts 35MM

Item	Part No.	Description
3	005-150-00	Spindle Washer
4	006-183-00	Spindle Nut
5	092-002-00	Washer, Torque Label
6	069-096-00	Snap Ring
8	021-084-00*	Grease Cap

10" x 2¼" Brakes

Item	Part No.	Description
ns	K23-468-00/K23-469-00	LH/RH Electric Nev-R-Adjust®
20	K23-026-00/K23-027-00	LH/RH Electric
ns	K23-086-00/K23-087-00	LH/RH Electric w/park
ns	K23-312-00/K23-313-00	LH/RH Hydraulic Uni-servo
ns	K23-330-00/K23-331-00	LH/RH Hydraulic Uni-servo w/park
ns	K23-310-00/K23-311-00	LH/RH Hydraulic Duo-servo
ns	K23-400-00/K23-401-00	LH/RH Hydraulic Duo-servo w/park
ns	K23-344-00/K23-345-00	LH/RH Hydraulic Free Backing
ns	K23-344-01/K23-345-01	LH/RH Hydraulic FB Corrosion Resistant

ns - not shown

Note: Spindle is not available for resale.

Hubs With Bearing & Wheel Studs

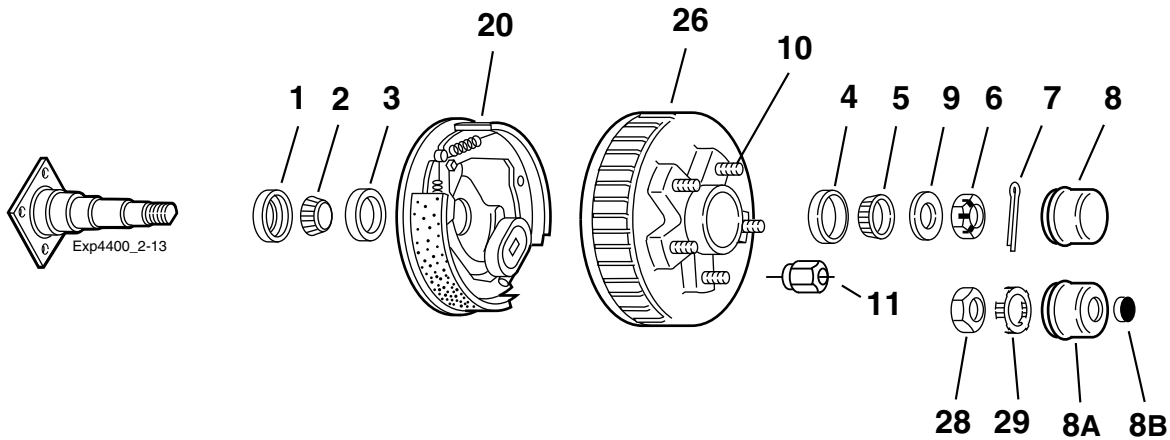
Item	Part No.	Description	Bolt Circle
24	008-386-80*	Hub and Drum includes: 007-185-00 ½-20 Press-in Stud 031-072-03* 35mm Cartridge Bearing 069-094-00* Bearing Retainer	6 on 5.50

Wheel Nuts

Item	Part No.	Description
13	006-080-00	½-20 60° Cone Nut

* Available for service parts only.

D44 655 Hub Group



Grease Lube Parts

Item	Part No.	Description
1	010-019-00	Grease Seal for E-Z Lube®
2	031-033-02	L68149 Inner Bearing Cone
3	031-033-01	L68111 Inner Bearing Cup
4	031-032-01	LM67010 Outer Bearing Cup
5	031-032-02	LM67048 Outer Bearing Cone
6	006-176-00	Spindle Nut
7	019-002-00	Cotter Pin (not used with E-Z Lube®)
8	021-001-00	Grease Cap
8A	021-042-01	Grease Cap for E-Z Lube®
8B	085-001-00	Rubber Plug for E-Z Lube®
9	005-023-00	Spindle Washer
28	006-191-00	Special Jam Nut for E-Z Lube® (after 2002)
29	006-190-00	Spindle Nut Retainer for E-Z Lube® (after 2002)

10" x 2¼" Brakes Old Style Before 5/1/09

Item	Part No.	Description
ns	K23-454-00	LH Electric
ns	K23-455-00	RH Electric

10" x 2¼" Brakes New Style After 5/1/09

Item	Part No.	Description
20	K23-462-00	LH Electric
20	K23-463-00	RH Electric

ns - not shown

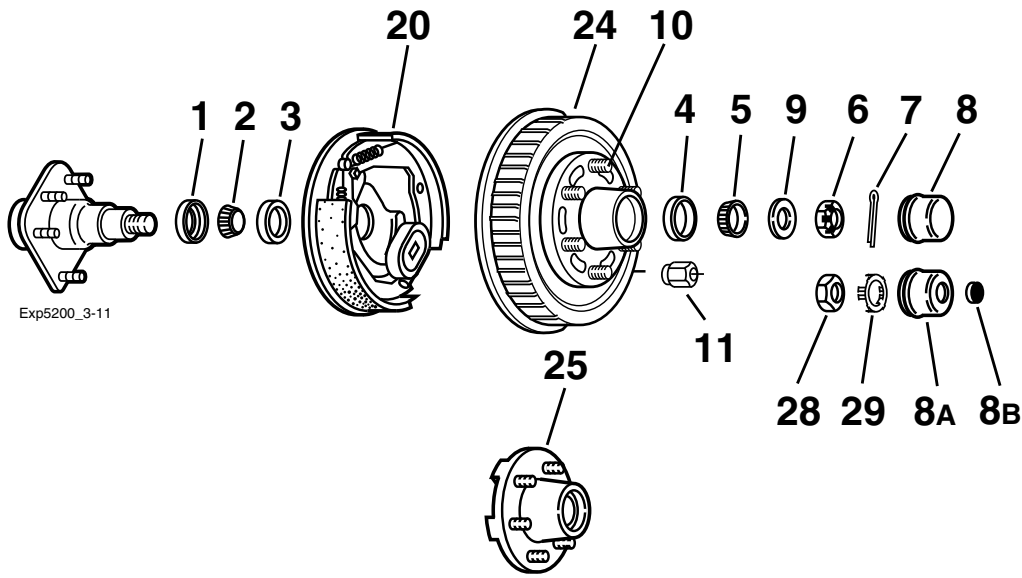
Note: Spindle is not available for resale.

Hubs

Item	Part No.	Description	Bolt Circle
Hubs and Drums			
26	008-407-05	½" Stud	6 on 5.50

Studs & Wheel Nuts

Item	Part No.	Description
10	007-122-00	½-20 Pressed Wheel Stud
11	006-080-00	½-20 60° Cone Nut



Grease Lube Parts

Item	Part No.	Description
1	010-036-00	Grease Seal, E-Z Lube® Seal
1	010-063-00	Oil Seal
2	031-030-02	25580 Inner Bearing cone
3	031-030-01	25520 Inner Bearing Cup
4	031-032-01	LM67010 Outer Bearing Cup (for 5200#)
5	031-032-02	LM67048 Outer Bearing Cone (for 5200#)
4	031-029-01	15245 Outer Bearing Cup (for 6000#)
5	031-029-02	15123 Outer Bearing Cone (for 6000#)
6	006-176-00	Spindle Nut
7	019-002-00	Cotter Pin (not used with E-Z Lube®)
8	021-001-00	Grease Cap
8A	021-042-01	Grease Cap for E-Z Lube®
8B	085-001-00	Rubber Plug for E-Z Lube®
9	005-023-00	Spindle Washer
28	006-191-00	Special Jam Nut for E-Z Lube® (after 2002)
29	006-190-00	Spindle Nut Retainer for E-Z Lube® (after 2002)

12" x 2" Brakes

Item	Part No.	Description
20	K23-105-00/K23-106-00	LH/RH Electric
ns	K23-112-00/K23-113-00	LH/RH Electric w/park
ns	K23-326-00/K23-327-00	LH/RH Electric 6K CSA
ns	K23-328-00/K23-329-00	LH/RH Electric 6K CSA w/park
ns	K23-324-00/K23-325-00	LH/RH Hydraulic Uni-servo
ns	K23-320-00/K23-321-00	LH/RH Hydraulic Uni-servo w/park
ns	K23-322-00/K23-323-00	LH/RH Hydraulic Duo-servo
ns	K23-318-00/K23-319-00	LH/RH Hydraulic Duo-servo w/park
ns	K23-342-00/K23-343-00	LH/RH Hydraulic Free Backing
ns	K23-340-00/K23-341-00	LH/RH Hydraulic Free Backing w/park
ns	K23-342-01/K23-343-01	LH/RH Hydraulic FB Corrosion Resistant
ns	K23-340-01/K23-341-01	LH/RH Hydraulic FB Corrosion Resistant w/park
ns	K23-458-00/K23-459-00	LH/RH Electric Nev-R-Adjust®
ns	K23-466-00/K23-467-00	LH/RH Electric 6K CSA Nev-R-Adjust®

ns - not shown

Note: Spindle is not available for resale.

Hubs

Item	Part No.	Description	Bolt Circle
Hubs and Drums			
24	008-201-05	½" Stud for 5200#	6 on 5.50
24	008-201-09	½" Stud 15123 bearing for 6000#	6 on 5.50
Plain Hubs			
25	008-213-05	½" Stud for 5200#	6 on 5.50
25	008-213-09	½" Stud 15123 bearing for 6000#	6 on 5.50

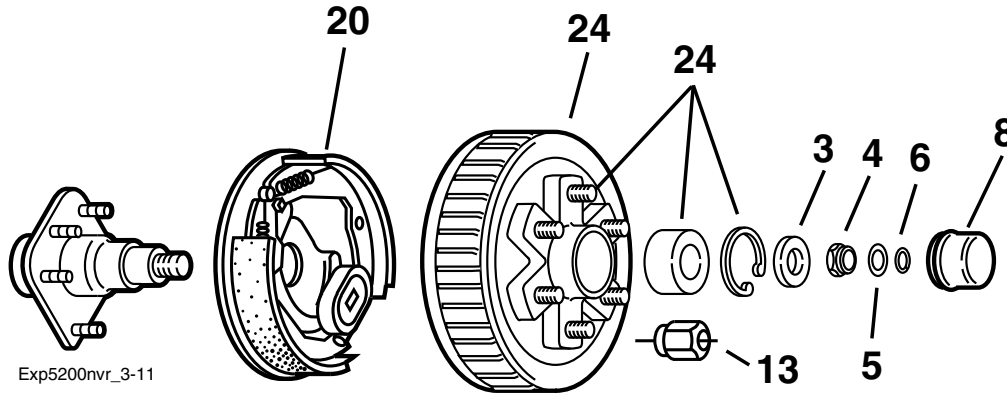
Studs & Wheel Nuts

Item	Part No.	Description
10	007-122-00	½-20 x 1.99 Long Press-in Stud*
10	007-262-00	½-20 x 2.70 Long Press-in Stud* (hub-drum after 2/09)
11	006-080-00	½-20 60° Cone Nut

* Stud length measured under head to end of stud.

8 on 6.5 hubs are available on these axles.
See section in 5500-7000 lbs. capacity.

D52, D60 655 Nev-R-Lube® Hub Group



Nev-R-Lube® Parts 42MM & 50MM

Item	Part No.	Description
3	005-147-01	Spindle Washer, 42mm
4	006-183-00	Spindle Nut
5	092-002-00	Washer, Torque Label
6	069-096-00	Snap Ring
8	021-085-00	Hub Cap, 42mm

12" x 2" Brakes

Item	Part No.	Description
20	K23-105-00/K23-106-00	LH/RH Electric, 6K
ns	K23-112-00/K23-113-00	LH/RH Electric w/park, 6K
ns	K23-324-00/K23-325-00	LH/RH Hydraulic Uni-servo, 5.2K
ns	K23-320-00/K23-321-00	LH/RH Hydraulic Uni-servo w/park, 5.2K
ns	K23-322-00/K23-323-00	LH/RH Hydraulic Duo-servo, 5.2K
ns	K23-318-00/K23-319-00	LH/RH Hydraulic Duo-servo w/park, 5.2K
ns	K23-338-00/K23-339-00	LH/RH Hydraulic Uni-servo, 7K
ns	K23-334-00/K23-335-00	LH/RH Hydraulic Uni-servo w/park, 7K
ns	K23-336-00/K23-337-00	LH/RH Hydraulic Duo-servo, 7K
ns	K23-332-00/K23-333-00	LH/RH Hydraulic Duo-servo w/park, 7K
ns	K23-342-00/K23-343-00	LH/RH Hydraulic Free Backing, 7K
ns	K23-340-00/K23-341-00	LH/RH Hydraulic Free Backing w/park, 7K
ns	K23-458-00/K23-459-00	LH/RH Electric Nev-R-Adjust®
ns	K23-466-00/K23-467-00	LH/RH Electric 6K CSA Nev-R-Adjust®

ns - not shown

Note: Spindle is not available for resale.

Hubs With Bearing and Wheel Studs

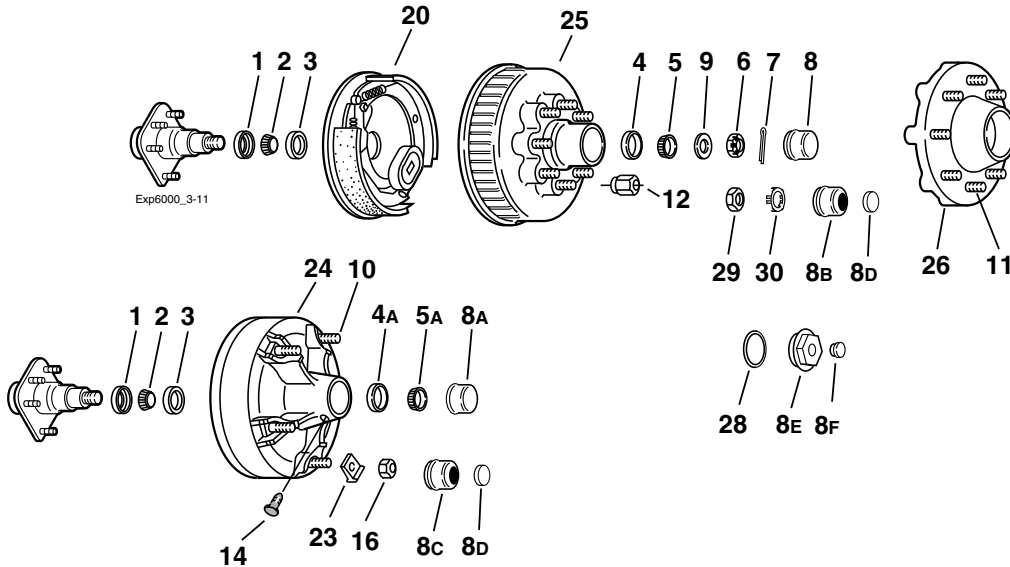
Item	Part No.	Description	Bolt Circle
24	008-388-80	Hub and Drum includes: 007-122-00 ½-20 Press-in Studs 031-073-03 42mm Bearing Cartridge 069-095-00 Bearing Retainer	6 on 5.50

Wheel Nuts

Item	Part No.	Description
13	006-080-00	½-20 60° Cone Nut

8 on 6.5 hubs are available on these axles.
See section in 5500-7000 lbs. capacity.

865 and Demountable Hub Group



Grease Lube Parts

Item	Part No.	Description
1	010-036-00	E-Z Lube® Seal 2.25"
2	031-030-02	25580 Inner Bearing Cone
3	031-030-01	25520 Inner Bearing Cup
4	031-017-01	14276 Outer Bearing Cup - 865 Hub
4A	031-029-01	15245 Outer Bearing Cup - Demountable
5	031-017-02	14125A Outer Bearing Cone - 865 Hub
5A	031-029-02	15123 Outer Bearing Cone - Demountable
6	006-176-00	Spindle Nut
7	019-002-00	Cotter Pin (not used with E-Z Lube®)
8	021-039-00	Grease Cap - 865 Hub
8A	021-001-00	Grease Cap - Demountable
8B	021-043-01	Grease Cap for E-Z Lube® - 865 Hub
8B	021-043-02	Grease Cap E-Z Lube® Chrome Option - 865 Hub
8C	021-042-01	Grease Cap for E-Z Lube® - Demountable
8C	021-042-02	Grease Cap for E-Z Lube® Chrome Option - Dem.
8D	085-001-00	E-Z Lube® Rubber Plug
9	005-057-00	Spindle Washer
16	006-005-00	5/16-18 Nut for Rim Clamp
23	015-002-00	Rim Clamp
29	006-191-00	Special Jam Nut for E-Z Lube® (after 2002)
30	006-190-00	Spindle Nut Retainer for E-Z Lube® (after 2002)

Oil Lube Parts

Item	Part No.	Description
1	010-063-00	Oil Seal 2.25"
2	031-030-02	25580 Inner Bearing cone
3	031-030-01	25520 Inner Bearing Cup
4	031-017-01	14276 Outer Bearing Cup - 865 Hub
4	031-029-01	15245 Outer Bearing Cup - Demountable
5	031-029-02	15123 Outer Bearing Cone
5	031-017-02	14125A Outer Bearing Cone
6	006-176-00	Spindle Nut
7	019-002-00	Cotter Pin
8E	021-035-00	Oil Cap - 865 Hub
ns	021-040-00	Oil Cap - Demountable
8F	046-032-00	Oil Cap Plug
9	005-057-00	Spindle Washer
14	046-052-00	Oil Filler Plug - 865 and Demountable
ns	046-032-00	Oil Cap Plug
16	006-005-00	5/16-18 Nut for Rim Clamp
23	015-002-00	Rim Clamp
28	010-045-00	865 'O' Ring
ns	010-059-00	Demountable 'O' Ring

Note: Spindle is not available for resale.

6 on 5.5 hubs are available on these axles.

See section in 4000-6000 lbs. capacity.

Hubs

Item	Part No.	Description	Bolt Circle
Hubs/Drums			
24	008-174-05	Grease 5/16" Stud	Demountable
24	008-174-06	Oil 5/16" Stud	Demountable
25	008-219-04	Grease 1/2" Stud	8 on 6.50
25	008-219-13	Grease 5/16" Stud	8 on 6.50
25	008-219-18	Grease 5/8" Stud	8 on 6.50
25	008-219-09	Oil 1/2" Stud	8 on 6.50
25	008-219-20	Oil 5/16" Stud	8 on 6.50
25	008-219-26	Oil 5/8" Stud	8 on 6.50
Plain Hubs			
26	008-231-09	Grease 1/2" Stud	8 on 6.50
26	008-231-18	Grease 5/16" Stud	8 on 6.50
26	008-231-20	Grease 5/8" Stud	8 on 6.50
26	008-231-16	Oil 1/2" Stud	8 on 6.50

Brakes

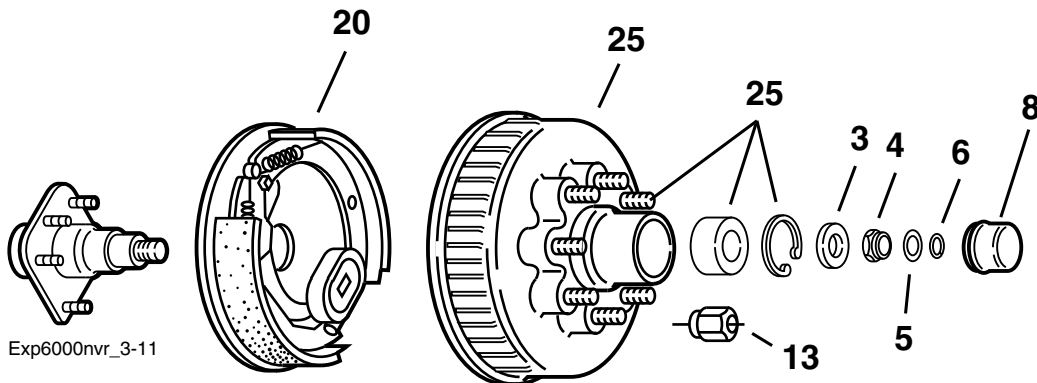
Item	Part No.	Description
20	K23-105-00/K23-106-00	LH/RH Electric 6K
ns	K23-112-00/K23-113-00	LH/RH Electric w/park
ns	K23-326-00/K23-327-00	LH/RH Electric 6K CSA
ns	K23-328-00/K23-329-00	LH/RH Electric 6K CSA w/park
ns	K23-180-00/K23-181-00	LH/RH Electric 7K
ns	K23-338-00/K23-339-00	LH/RH Hydraulic Uni-servo 7K
ns	K23-334-00/K23-335-00	LH/RH Hydraulic Uni-servo 7K w/park
ns	K23-336-00/K23-337-00	LH/RH Hydraulic Duo-servo 7K
ns	K23-332-00/K23-333-00	LH/RH Hydraulic Duo-servo 7K w/park
ns	K23-342-00/K23-343-00	LH/RH Hydraulic Uni-servo 7K FB
ns	K23-340-00/K23-341-00	LH/RH Hydraulic Uni-servo 7K FB w/park
ns	K23-342-01/K23-343-01	LH/RH Hydraulic Uni-servo 7K FB
ns	K23-340-01/K23-341-01	LH/RH Hydraulic Uni-servo 7K FB w/park
ns	K23-458-00/K23-459-00	LH/RH Electric Nev-R-Adjust®
ns	K23-466-00/K23-467-00	LH/RH Electric 6K CSA Nev-R-Adjust®

Studs & Wheel Nuts

Item	Part No.	Description
10	025-011-00	5/16-18 Stud - UTG
11	007-122-00	1/2-20 x 1.84 Long Press-in Stud* (hubs before 1/04)
11	007-262-00	1/2-20 x 2.70 Long Press-in Stud* (hubs after 1/04)
12	006-080-00	1/2-20 60° Cone Nut
ns	007-132-00	5/16-18 Press-in Stud
ns	006-053-00	5/16-18 60° Cone Nut
ns	007-232-00	5/8-18 Press-in Stud
ns	006-109-00	5/8-18 60° Cone Nut

ns - not shown

* Stud length measured under head to end of stud.



Nev-R-Lube® Parts

Item	Part No.	Description
ns	005-147-01	Spindle Washer, 42mm
3	005-149-00	Spindle Washer, 50mm
4	006-183-00	Spindle Nut
5	092-002-00	Washer, Torque Label
6	069-096-00	Snap Ring
ns	021-085-00	Grease Cap, 42mm
8	021-086-00	Grease Cap, 50mm

12" x 2" Brakes

Item	Part No.	Description
20	K23-105-00/K23-106-00	LH/RH Electric
ns	K23-180-00/K23-181-00	LH/RH Electric 7K
ns	K23-338-00/K23-339-00	LH/RH Hydraulic Uni-servo, 7K
ns	K23-334-00/K23-335-00	LH/RH Hydraulic Uni-servo w/park, 7K
ns	K23-336-00/K23-337-00	LH/RH Hydraulic Duo-servo, 7K
ns	K23-332-00/K23-333-00	LH/RH Hydraulic Duo-servo w/park, 7K
ns	K23-342-00/K23-343-00	LH/RH Hydraulic Free Backing, 7K
ns	K23-340-00/K23-341-00	LH/RH Hydraulic 7K FB w/park
ns	K23-326-00/K23-327-00	LH/RH Electric 6K CSA
ns	K23-458-00/K23-459-00	LH/RH Electric Nev-R-Adjust®
ns	K23-466-00/K23-467-00	LH/RH Electric 6K CSA Nev-R-Adjust®

ns - not shown

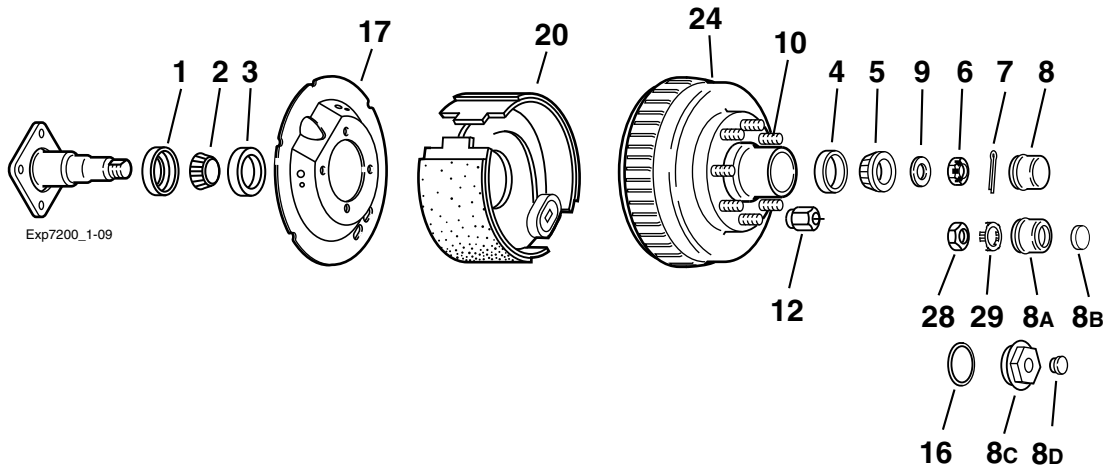
Note: Spindle is not available for resale.

Hubs With Bearing and Wheel Studs

Item	Part No.	Description	Bolt Circle
ns	008-388-80	Hub and Drum includes: 007-122-00 1/2-20 Press-in Studs 031-073-03 42mm Bearing Cartridge 069-095-00 Bearing Retainer	6 on 5.50
25	008-385-82	Hub and Drum includes: 007-122-00 1/2-20 Press-in Studs 031-071-03 50mm Bearing Cartridge 069-093-00 Bearing Retainer	8 on 6.50
ns	008-385-81	Hub and Drum includes: 007-223-00 9/16-18 Press-in Studs 031-071-03 50mm Bearing Cartridge 069-093-00 Bearing Retainer	8 on 6.50
ns	008-385-80	Hub and Drum includes: 007-224-00 5/8-18 Press-in Studs 031-071-03 50mm Bearing Cartridge 069-093-00 Bearing Retainer	8 on 6.50

Wheel Nuts

Item	Part No.	Description
13	006-080-00	1/2-20 60° Cone Nut
ns	006-053-00	9/16-18 60° Cone Nut
ns	006-109-00	5/8-18 90° Cone Nut



Grease Lube Parts

Item	Part No.	Description
1	010-036-00	Seal
2	031-030-02	25580 Inner Bearing Cone
3	031-030-01	25520 Inner Bearing Cup
4	031-028-01	02420 Outer Bearing Cup
5	031-028-02	02475 Outer Bearing Cone
6	006-176-00	Spindle Nut
7	019-002-00	Cotter Pin (not used with E-Z Lube®)
8	021-039-00	Grease Cap
8A	021-043-01	Grease Cap for E-Z Lube®
8B	085-001-00	E-Z Lube® Rubber Plug
9	005-057-00	Spindle Washer
28	006-191-00	Special Jam Nut for E-Z Lube® (after 2002)
29	006-190-00	Spindle Nut Retainer for E-Z Lube® (after 2002)

Oil Lube Parts

Item	Part No.	Description
1	010-063-00	Seal (Unitized)
2	031-030-02	25580 Inner Bearing cone
3	031-030-01	25520 Inner Bearing Cup
4	031-028-01	02420 Outer Bearing Cup
5	031-028-02	02475 Outer Bearing Cone
6	006-176-00	Spindle Nut
7	019-002-00	Cotter Pin
9	005-057-00	Spindle Washer
8C	021-035-00	Oil Cap
8D	046-032-00	Oil Cap Plug
ns	046-052-00	Oil Filler Plug (service part only)
16	010-045-00	'O' Ring for Oil Lube

Studs & Wheel Nuts

Item	Part No.	Description
10	007-122-00	1/2-20 Press-in Stud
10	007-224-00	5/8-18 Press-in Stud
10	007-223-00	5/16-18-18 Press-in Stud
12	006-053-00	5/16-18 60° Cone Nut
12	006-109-00	5/16-18 90° Cone Nut
ns	006-058-00	5/8-18 Flange Nut

Note: Spindle is not available for resale.

Hubs

(After May 2000 for cast backing plate brakes)

Item	Part No.	Description	Bolt Circle
24	008-393-10	Grease 1/2" Stud	8 on 6.50
24	008-393-04	Grease 3/16" Stud	8 on 6.50
24	008-393-06	Grease 5/8" Stud	8 on 6.50
24	008-393-09	Oil 1/2" Stud	8 on 6.50
24	008-393-03	Oil 3/16" Stud	8 on 6.50
24	008-393-05	Oil 5/8" Stud	8 on 6.50

Brakes

(After May 2000 with cast backing plate brakes)

Item	Part No.	Description
17	036-118-20	Dust Shield not included with brake assembly
20	K23-429-00	RH 12 1/4" x 2 1/2" Electric Brakes
20	K23-428-00	LH 12 1/4" x 2 1/2" Electric Brakes

Service Parts Not Interchangeable With Cast Parts

Hubs

(Before May 2000 for stamped backing plate brakes)

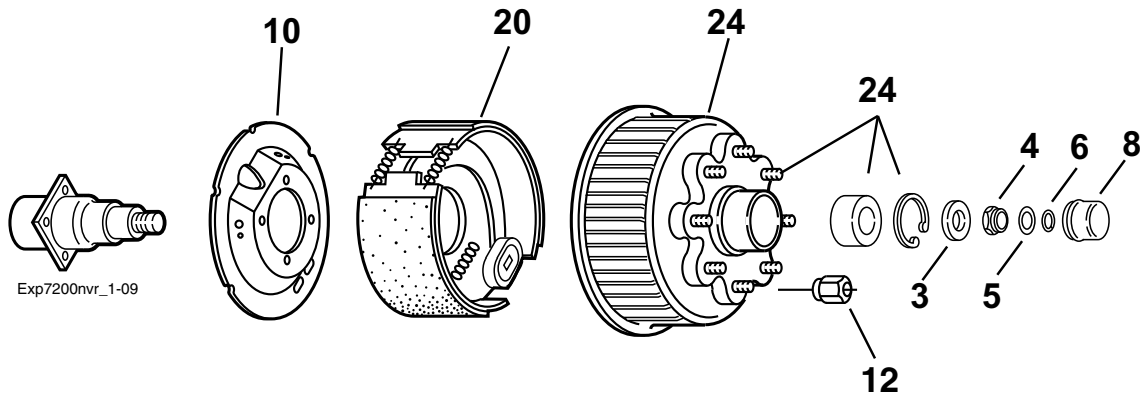
Item	Part No.	Description	Bolt Circle
24	008-355-13	Grease 3/16" Stud	8 on 6.50
24	008-355-15	Grease 5/8" Stud	8 on 6.50
24	008-355-12	Oil 3/16" Stud	8 on 6.50
24	008-355-14	Oil 5/8" Stud	8 on 6.50

Brakes

(Before May 2000 with stamped backing plate brakes)

Item	Part No.	Description
17	036-110-00	Dust Shield (top) included with brake assembly
17	036-110-01	Dust Shield (bottom) included with brake assembly
20	023-369-00	RH 12 1/4" x 2 1/2" Electric Brakes
20	023-370-00	LH 12 1/4" x 2 1/2" Electric Brakes

ns - not shown



Nev-R-Lube® Parts 50MM

Item	Part No.	Description
3	005-149-00	Spindle Washer
4	006-183-00	Spindle Nut
5	092-002-00	Washer, Torque Label
6	069-096-00	Snap Ring
8	021-086-00	Grease Cap

12¼" x 2½" Brakes

Item	Part No.	Description
10	036-118-20	Dust Shield
20	K23-428-00/K23-429-00	LH/RH Manual Adjust Electric Brake

Note: Spindle is not available for resale.

Hubs With Bearing and Wheel Studs

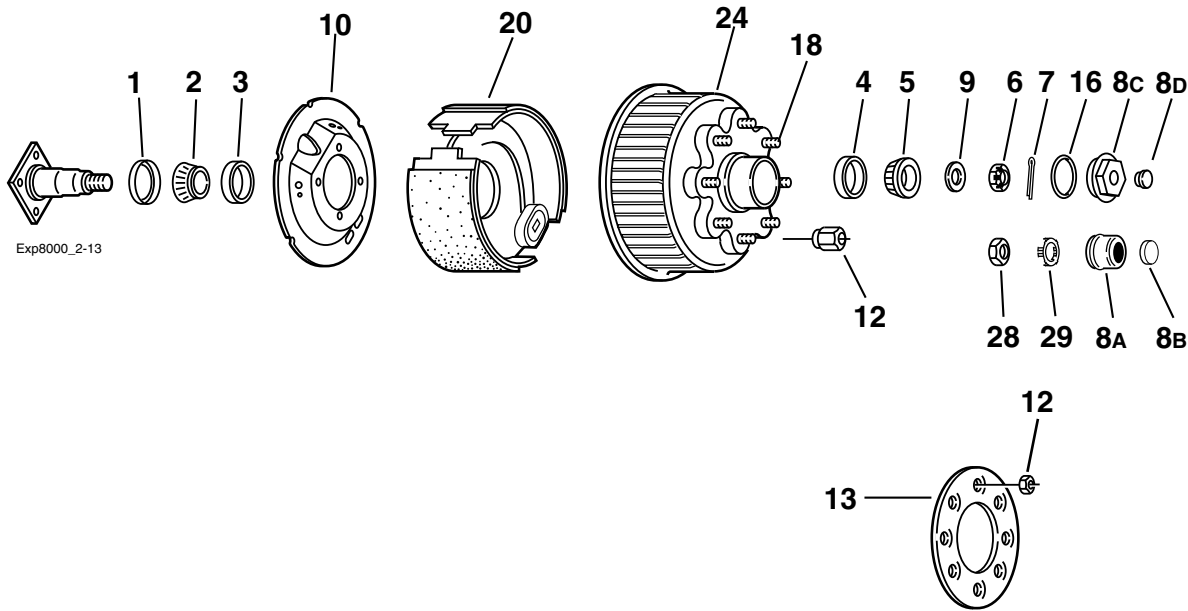
Item	Part No.	Description	Bolt Circle
24	008-395-80	Hub and Drum includes: 007-223-00 ¼" Press-in Studs 031-071-03 50mm Bearing Cartridge 069-093-00 Bearing Retainer	8 on 6.50
ns	008-395-81	Hub and Drum includes: 007-224-00 ⅝" Press-in Studs 031-071-03 50mm Bearing Cartridge 069-093-00 Bearing Retainer	8 on 6.50

Wheel Nuts

Item	Part No.	Description
12	006-053-00	⅝"-18 60° Cone Nut
ns	006-109-00	⅝"-18 90° Cone Nut
ns	006-058-00	⅝"-18 Flange Nut

ns - not shown

865 Hub Group



Grease Lube Parts

Item	Part No.	Description
1	010-036-00	Seal
2	031-030-02	25580 Inner Bearing Cone
3	031-030-01	25520 Inner Bearing Cup
4	031-028-01	02420 Outer Bearing Cup
5	031-028-02	02475 Outer Bearing Cone
6	006-176-00	Spindle Nut
7	019-002-00	Cotter Pin (not used with E-Z Lube®)
ns	021-039-00	Grease Cap
8A	021-043-01	Grease Cap for E-Z Lube®
8B	085-001-00	E-Z Lube® Rubber Plug
9	005-057-00	Spindle Washer
28	006-191-00	Special Jam Nut for E-Z Lube® (after 2002)
29	006-190-00	Spindle Nut Retainer for E-Z Lube® (after 2002)

Oil Lube Parts

Item	Part No.	Description
1	010-063-00	Seal (Unitized)
2	031-030-02	25580 Inner Bearing Cone
3	031-030-01	25520 Inner Bearing Cup
4	031-028-01	02420 Outer Bearing Cup
5	031-028-02	02475 Outer Bearing Cone
6	006-176-00	Spindle Nut
7	019-002-00	Cotter Pin
8C	021-035-00	Oil Cap
8D	046-032-00	Oil Cap Plug
9	005-057-00	Spindle Washer
ns	046-052-00	Oil Filler Plug (service part only)
16	010-045-00	'O' Ring for Oil Lube

ABS Components

Part No.	Description
097-004-00	Sensor, Straight
024-204-00	Sensor Block, Screw-In
097-002-00	Sensor Retainer Clip
024-205-01	Sensor Tone Ring

Note: Spindle is not available for resale.

12¼" x 3⅜" Brakes

Item	Part No.	Description
10	036-115-20	Dust Shield
10	036-115-24	Dust Shield for brakes with park
20	K23-434-00/K23-435-00	LH/RH Electric Self-Adjust
ns	K23-432-00/K23-433-00	LH/RH Electric Manual Adjust
ns	K23-402-00/K23-403-00	LH/RH Hydraulic Self-Adjust Duo-Servo
ns	K23-171-00/K23-172-00	LH/RH Hyd. Self-Adj Duo-Servo w/Park
ns	K23-418-00/K23-419-00	LH/RH Hydraulic Uni-Servo
ns	K23-252-00/K23-253-00	LH/RH Hydraulic Uni-Servo w/Park
ns	K23-420-00/K23-421-00	LH/RH Self Adj. DS Corrosion Resistant
ns	K23-388-00/K23-387-00	LH/RH Hyd. Manual Adjust Duo-Servo

Hubs

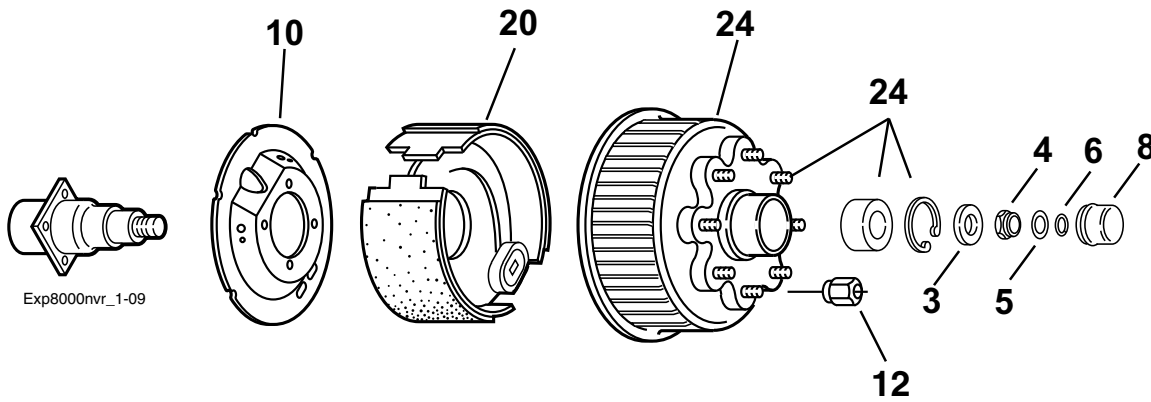
Item	Part No.	Description	Bolt Circle
Hubs and Drums			
24	008-285-08	Grease ⅝" Stud	8 on 6.50
24	008-285-15	Grease ⅝" Stud ABS	8 on 6.50
24	008-285-11	Grease ⅞" Stud	8 on 6.50
24	008-285-13	Grease ⅞" Stud ABS	8 on 6.50
24	008-285-10	Oil ⅞" Stud	8 on 6.50
24	008-285-14	Oil ⅞" Stud ABS	8 on 6.50
24	008-285-09	Oil ⅞" Stud	8 on 6.50
24	008-285-12	Oil ⅞" Stud ABS	8 on 6.50
Plain Hubs			
ns	008-287-07	Grease ⅝" Stud	8 on 6.50
ns	008-287-11	Grease ⅞" Stud	8 on 6.50
ns	008-287-14	Oil ⅞" Stud	8 on 6.50
ns	008-287-17	Oil ⅞" Stud	8 on 6.50

Studs & Wheel Nuts

Item	Part No.	Description	Nut Torque
12	006-053-00	⅞-18 60° Cone Nut	
*12	006-109-00	⅞-18 90° Cone Nut	200 lbs.-ft
*13	033-052-01	Clamp Ring	
18	007-132-00	⅞-18 Press-in Stud	
18	007-232-00	⅞-18 Press-in Stud	
ns	006-058-00	⅞-18 Flange Nut	

ns - not shown

* Must use the 90° cone nut with the clamp ring. Alternate fastener is just the flange nut.



Nev-R-Lube® Parts 50MM

Item	Part No.	Description
3	005-149-00	Spindle Washer
4	006-183-00	Spindle Nut
5	092-002-00	Washer, Torque Label
6	069-096-00	Snap Ring
8	021-086-00	Grease Cap

12¼" x 3¾" Brakes

Item	Part No.	Description
10	036-115-20	Dust Shield
10	036-115-24	Dust Shield for brakes with park
20	K23-434-00/K23-435-00	LH/RH Electric Self-Adjust
ns	K23-402-00/K23-403-00	LH/RH Hydraulic Self-Adjust Duo-Servo
ns	K23-171-00/K23-172-00	LH/RH Hyd. Self-Adj Duo-Servo w/Park
ns	K23-418-00/K23-419-00	LH/RH Hydraulic Uni-Servo
ns	K23-252-00/K23-253-00	LH/RH Hydraulic Uni-Servo w/Park

ABS Hubs Without Bearing

Item	Part No.	Description	Bolt Circle
24	008-389-09	Grease ⅝" Stud ABS	8 on 6.50
24	008-389-12	Grease ⅜" Stud ABS	8 on 6.50

Note: Spindle is not available for resale.

Hubs With Bearing and Wheel Studs

Item	Part No.	Description	Bolt Circle
24	008-389-81	Hub and Drum includes: 007-223-00 ⅜" Press-in Studs 031-071-03 50mm Bearing Cartridge 069-093-00 Bearing Retainer	8 on 6.50
ns	008-389-80	Hub and Drum includes: 007-224-00 ⅝" Press-in Studs 031-071-03 50mm Bearing Cartridge 069-093-00 Bearing Retainer	8 on 6.50

Wheel Nuts

Item	Part No.	Description
12	006-053-00	⅜-18 60° Cone Nut
ns	006-109-00	⅝-18 90° Cone Nut

ABS Components

Part No.	Description
097-004-00	Sensor, Straight
024-204-00	Sensor Block, Screw-In
097-002-00	Sensor Retainer Clip

ns - not shown