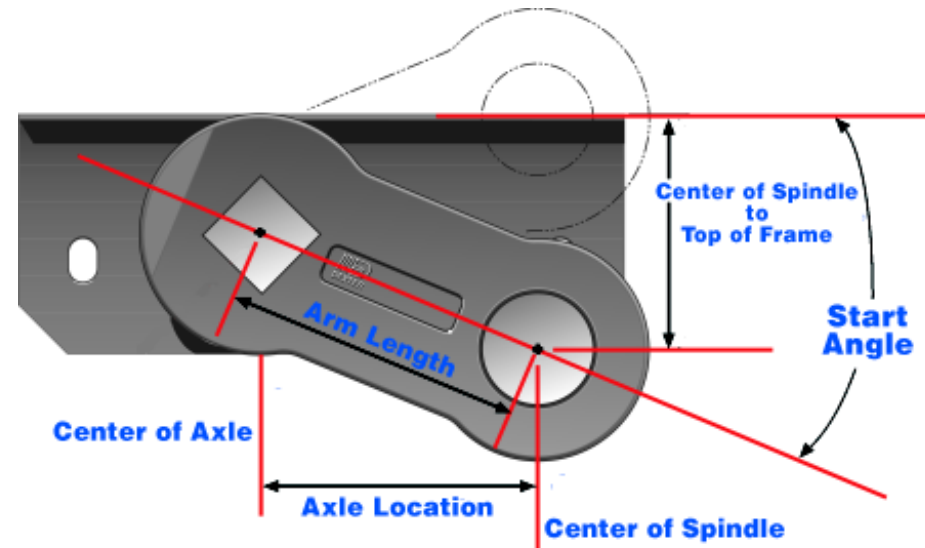
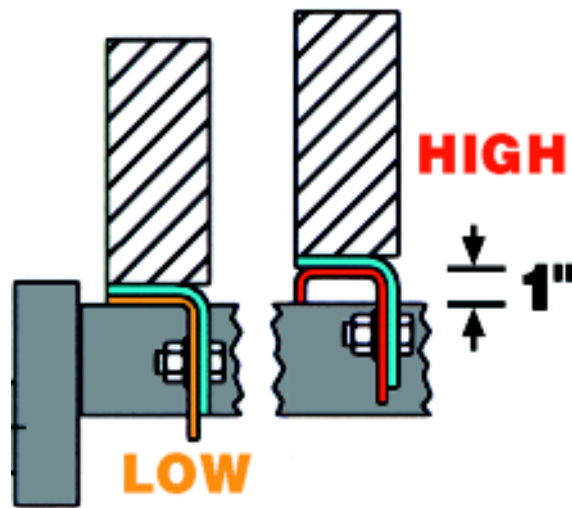
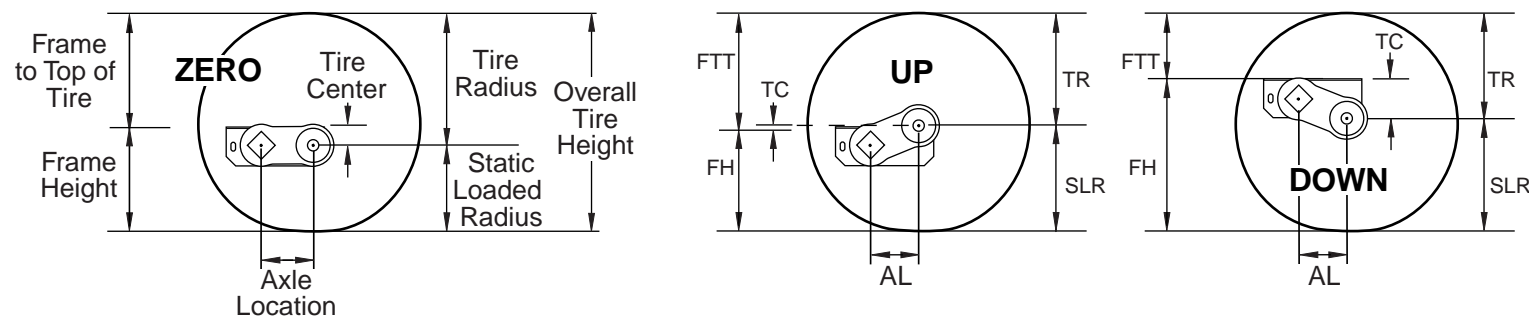


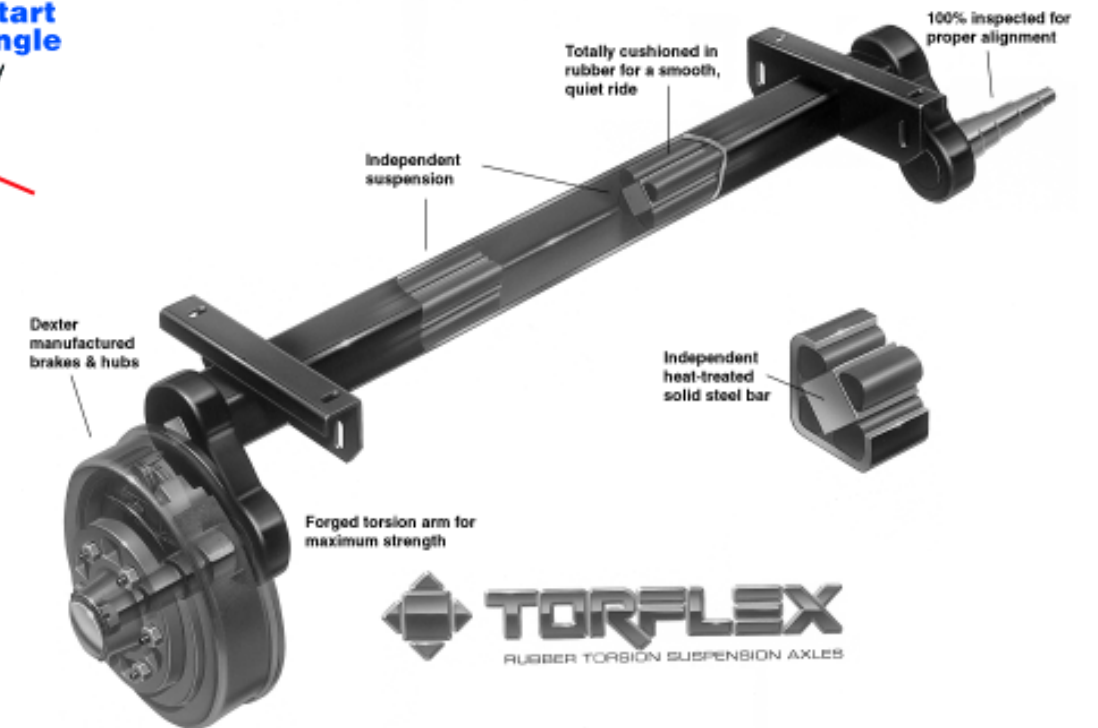
Bracket Profile

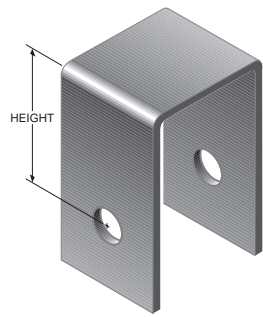


Start Angle (unloaded)

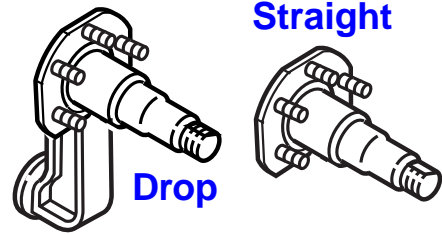


DEXTER AXLE
www.dexteraxle.com

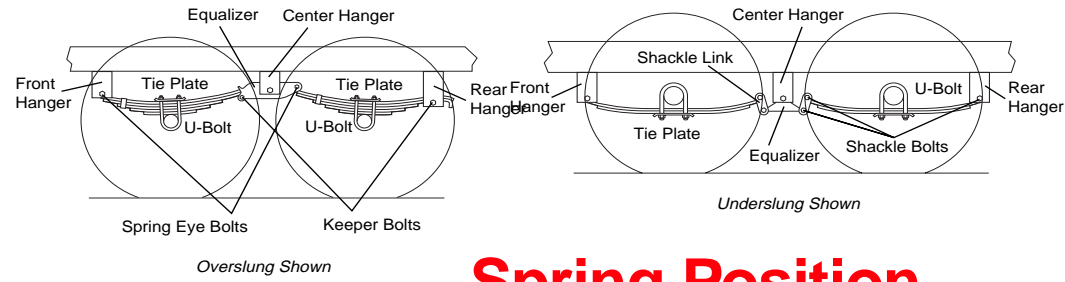




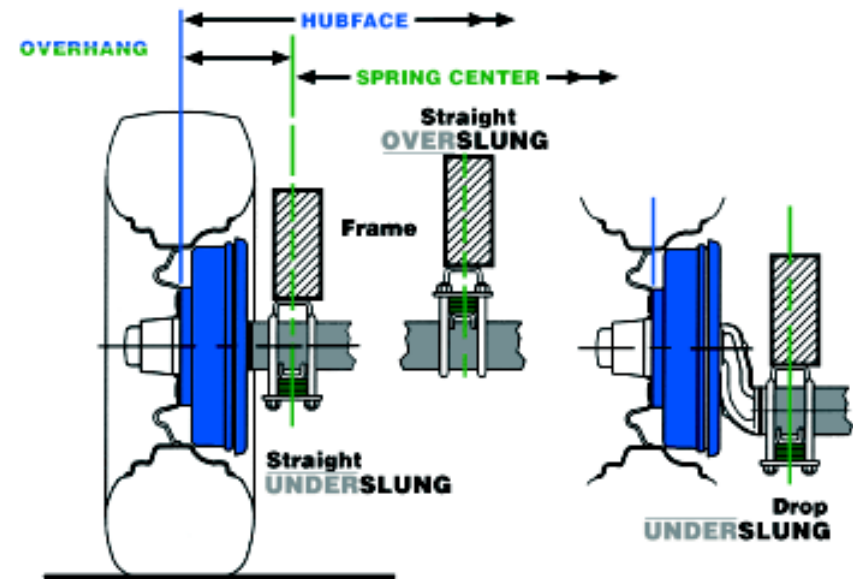
Hanger



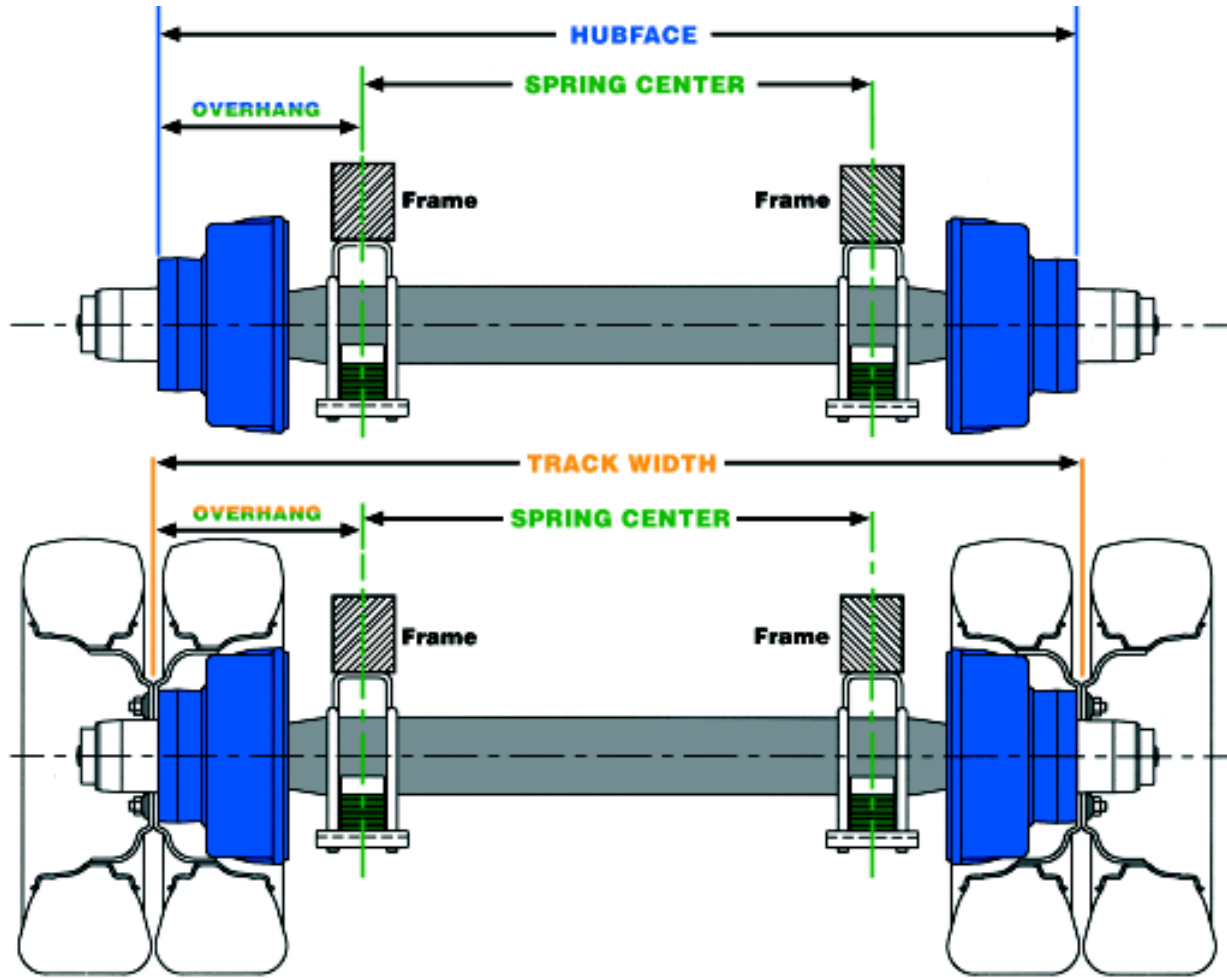
Spindles



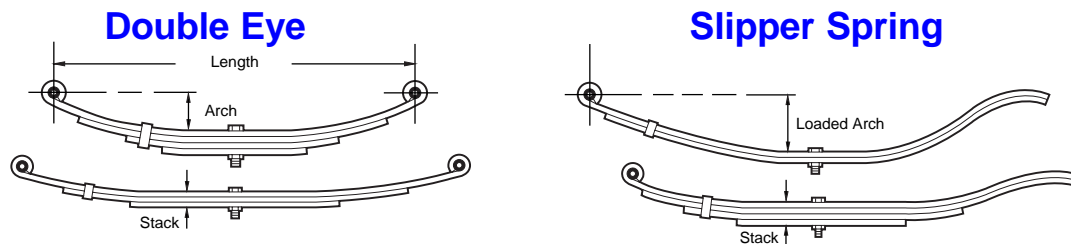
Spring Position



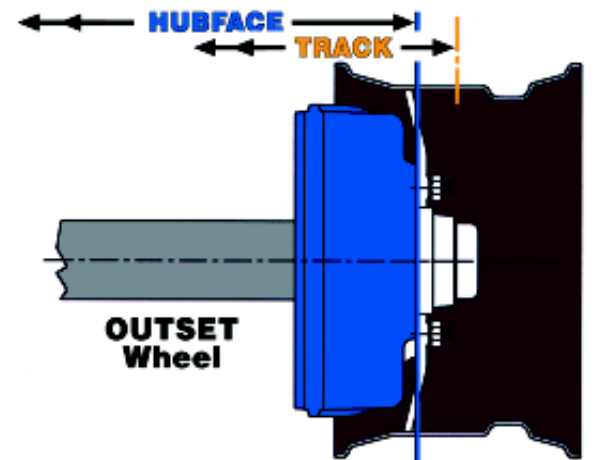
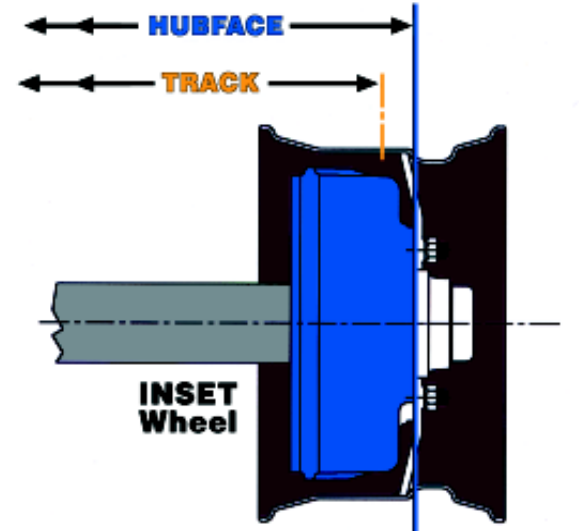
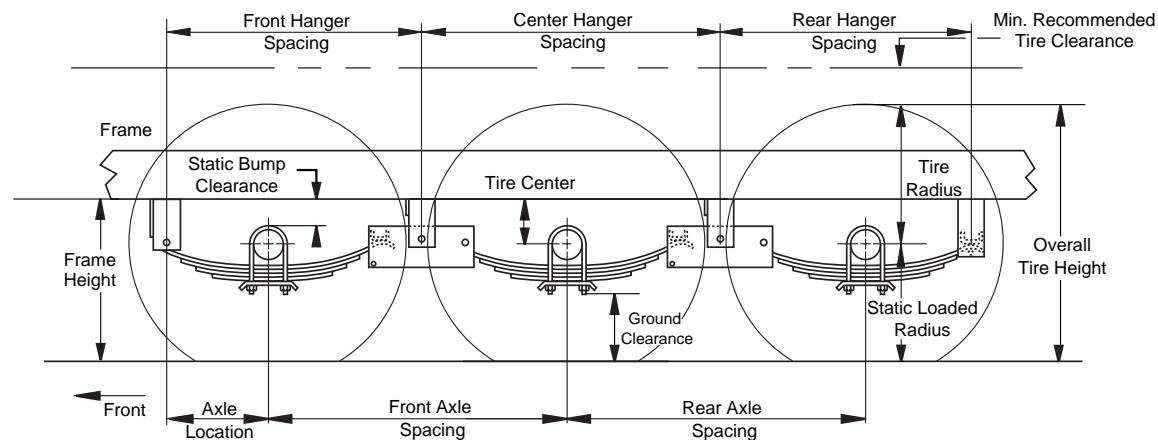
Hubface---Track Width---Spring Center



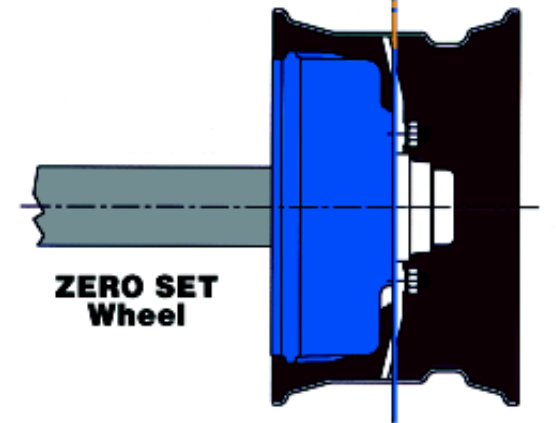
Spring Type



Axle Spacing



← HUBFACE → Wheel Mounting Surface
← TRACK → Center Line of Wheel/Tire



Wheel Offset



DEXTER AXLE
www.dexteraxle.com