



## MECHANICAL DISC BRAKES

AL-KO Mechanical Disc Brakes are specifically designed for boat trailers.

Brakes on boat trailers have to work in the toughest environment - regularly dunked in the corrosive sea water. That is why the AL-KO brake calliper is hot dip galvanized with stainless steel slide bushes and adjusting bolts. So it's corrosion resistant and practically maintenance free.

What's more, AL-KO Mechanical Disc Brakes are a lot more affordable than conventional hydraulic brakes.



Find out more from AL-KO International on 1800 035 603 or visit [www.alko.com.au](http://www.alko.com.au)

Vehicle Technology  
**QUALITY FOR LIFE**

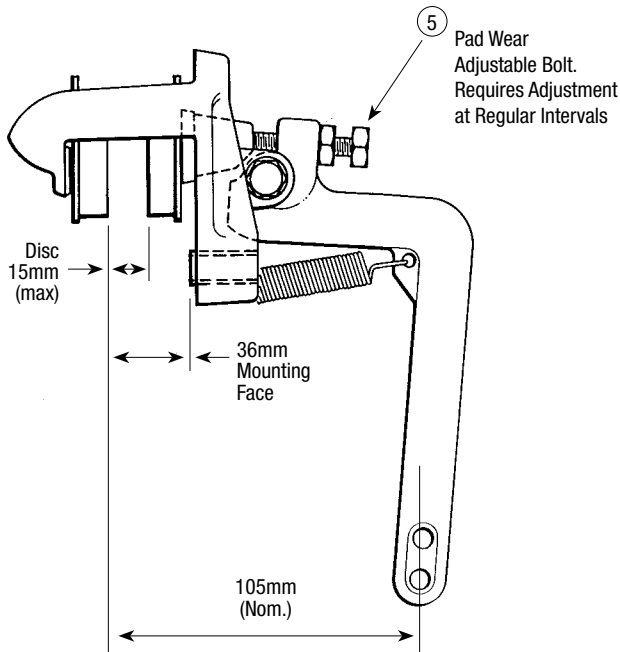
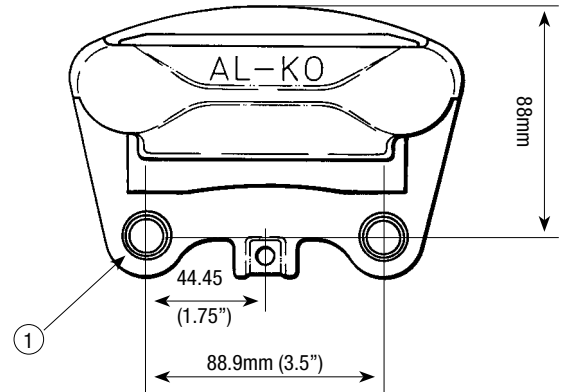
**AL-KO**

# MECHANICAL DISC BRAKES

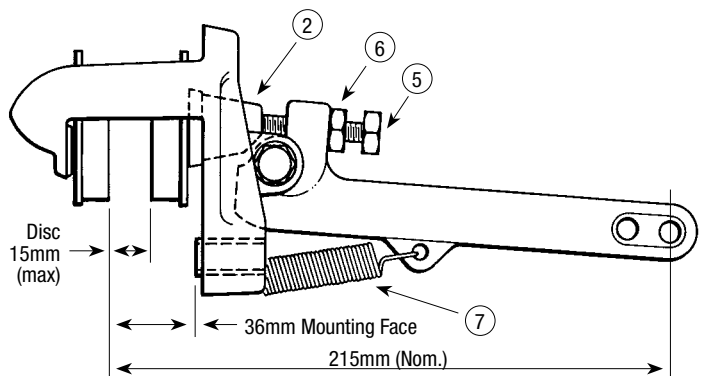
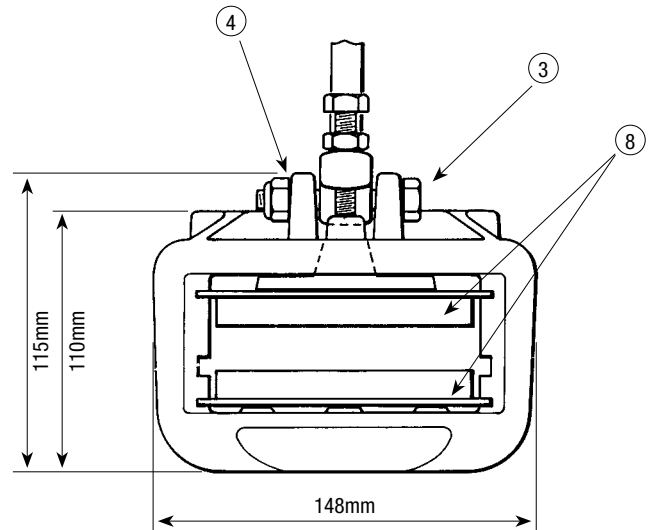
## Part List

Item	Part No.	Description
1	323126	Mechanical Caliper Inner Bush
2	323114	Mechanical Caliper Block Galv.
3	323123	Mechanical Caliper Lever Bolt 10 x 60
4	323120	Mechanical Caliper Nyloc Nut
5	323124	Mechanical Caliper Adjuster Bolt M10 x 50
6	323122	Mechanical Caliper Adjuster Nut M10
7	323121	Mechanical Caliper Tension Spring
8	323128	Mechanical Caliper Brake Pad (1 only)

Dimensions are nominal and subject to change without notice.



**Lever Assembly  
(AL-KO Independent Rubber Suspension)**



**Lever Assembly (Beam Axles)**

### Mounting Details

Install using 7/16" UNF high tensile mounting bolts. Install to a mounting of 55 Nm (40ft lb) coating each screw thread with "Loctite 262 Thread Locker" compound. Fit flat washer and shakeproof washer under the head of mounting bolts.