



**POWER MOVER
OPERATING INSTRUCTIONS**

POWER MOVER OPERATING INSTRUCTIONS

The AL-KO Power Mover is the easy and convenient way to move any caravan or trailer without back breaking effort. The ratchet drive mechanism of the AL-KO Power Mover is strong enough to move the caravan or trailer even up small inclines. For correct and safe use please follow the operating instructions below:

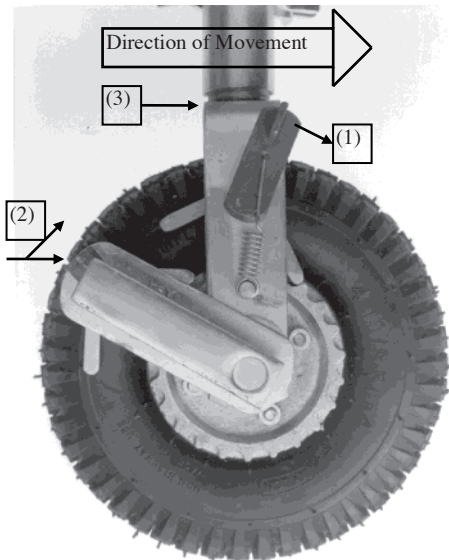
OPERATING INSTRUCTIONS

7 Easy steps to moving your Caravan or Trailer



1. Engage caravan/trailer park brake or chock wheels on the downhill side.
2. Secure the AL-KO Power Mover to your caravan/trailer drawbar.
3. Lower the Power Mover to the painted line on the telescopic tube.
4. Select Directional Settings on the two pawls (see instructions below).
5. Fit or engage the Power Mover traction handle.
6. Carefully release the caravan/trailer park brake.
7. Raise and lower the traction handle for controlled easy movement.

CHOOSING THE DIRECTION SETTINGS

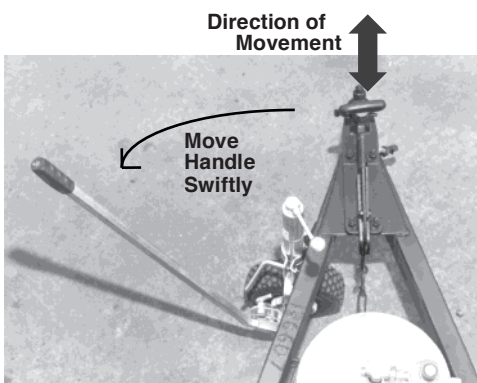


The AL-KO Power Mover is equipped with two directional pawls.

With the Power Mover securely fixed to the trailer or caravan drawbar move both of the spring loaded pawls (1) and (2) in the direction you wish the trailer to move. This should be done before any effort is applied to the traction handle.

Ensure the Power Mover is lowered to the painted ring (3) around the fork of the unit as under heavy loads and extended height, damage may occur to the telescopic tube of the Power Mover.

CAUTION



The AL-KO Power Mover is designed to aid movement of the caravan or trailer in either forward or backward direction. It can be used to move up a slight gradient and the double pawl system will resist roll back, but the Power Mover must not be relied upon as a park brake. Particular care should be taken if the incline changes to a decline as the Power Mover will free wheel after the peak of the incline has been reached. Use the caravan or trailer park brake to control any tendency to "free wheel".

Should an emergency arise and you need to stop the trailer or caravan suddenly, turn the handle of the AL-KO Power Mover swiftly at right angles to the direction of movement as shown in the diagram.

Operating photos depict an earlier version with pneumatic tyre, this has been superseded by a more robust solid tyre version

Find out more from AL-KO International
www.alko.com.au

AL-KO International Pty Ltd (ABN 96 003 066 813)

VIC: 67-91 Nathan Road, Dandenong South, 3175

NSW: 26 Hallstrom Place, Wetherill Park, 2164

QLD: 13 Union Circuit, Yatala, 4207

NZ: 1 Airpark Drive, Airport Oaks, Mangere, Auckland

Phone (03) 9767 3700 Fax (03) 9792 0877

Phone (02) 8784 9400 Fax (02) 9725 4557

Phone (07) 3386 6300 Fax (07) 3386 6399

Phone (09) 255 5611 Fax (09) 255 5612

AL-KO