

AL-KO
QUALITY FOR LIFE

SPARE WHEEL CARRIER

CARE AND MAINTENANCE FOR
YOUR AL-KO SPARE WHEEL CARRIER

DIAGRAMS

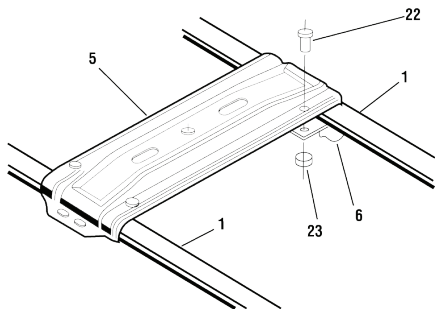


Fig. 1

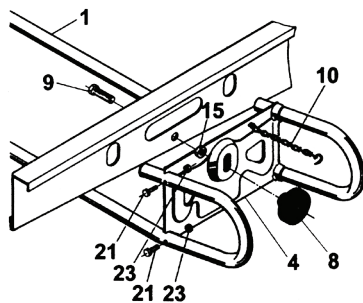


Fig. 2

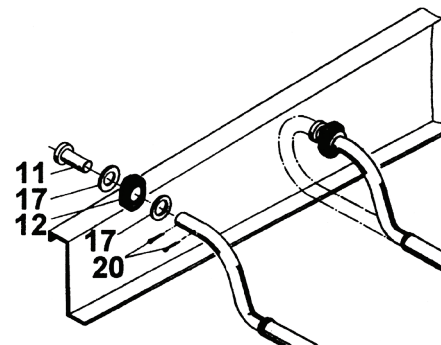


Fig. 3

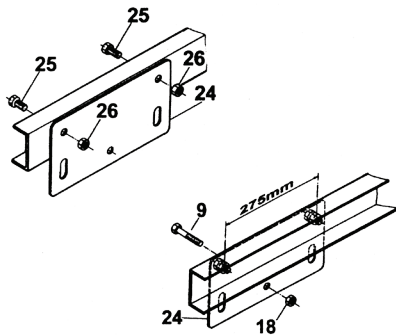


Fig. 4

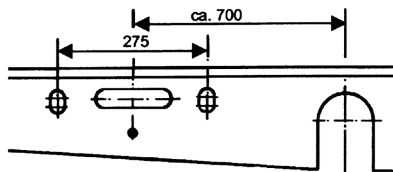
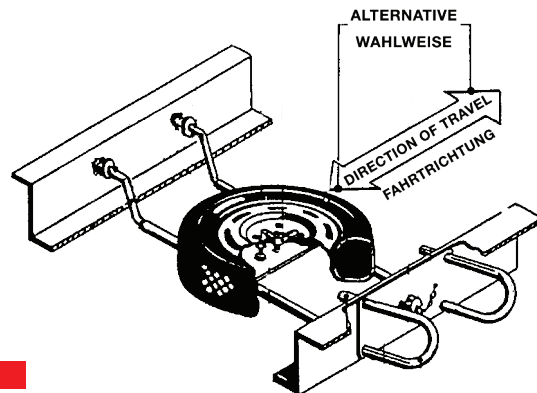
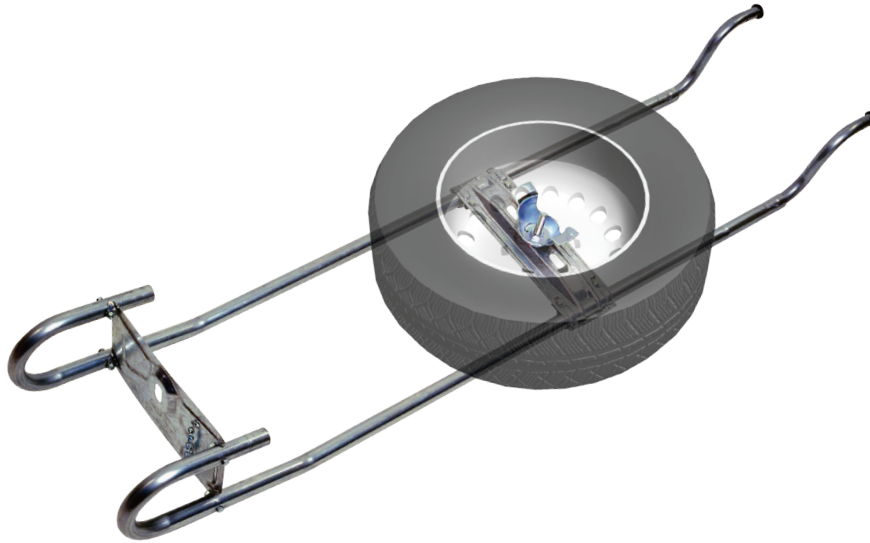


Fig. 5





CONTENTS

DIAGRAMS	1
CONTENTS	2
INSTRUCTIONS	3
ENGLISH	3
GERMAN	5
COMPLEMENTARY PRODUCTS	7
ACCESSORIES RANGE	10

OPERATING INSTRUCTIONS

CONTENTS

- Introduction
- Safety Instructions
- Assembly
- Operation
- Maintenance
- Spare Parts

INTRODUCTION

Dear Customer,

The instructions contained in this manual are there to help you install and operate the Spare Wheel Carrier easily. Please take time to read through all the instructions carefully before installing the carrier and comply with the technical information. It is advisable to keep the operating instructions with the other vehicle manuals supplied with the caravan

SAFETY INSTRUCTIONS

- Install the spare wheel carrier so that the spare wheel can be taken off from the pavement side of the road (nearside).
- After fitting, check that the carrier is securely fixed and working properly.
- Before setting off on a journey, ensure that the star handle is secured in place with the securing hook.
- Fitting the spare wheel carriers add approximately 7kg to the unladen weight of the caravan and by 8.8kg if the holding plates (pt no 294284) are fitted. Therefore the payload weight of the caravan will be affected by this weight addition.
- The operation of other equipment should not be impaired by the fitting of the spare wheel carrier.

ASSEMBLY

Assembly of the tubular carrier frame

The two telescopic tubes (fig. 1/1) are held in place by the connection bracket (fig. 1/5) and the end plate (fig. 2/4). Secure the connection bracket in place with 2 clamp brackets (fig. 1/6), 4 hexagon head screws M6x12 (fig. 1/22) and 4 hexagon nuts (fig. 1/23). The space from the end plate should be approx 400mm (pay attention to the size of the tyre).

Screw the end plate (fig. 2/4) to the telescopic tubes with hexagon head screws M6x30 (fig. 2/21) and 4 hexagon nuts (fig. 2/23). Insert the locking screw (fig. 2/9) from the inside out through the borehole (dia 13mm). Tighten it with the hexagon nuts (fig. 2/15). Insert the sliding part onto the frame following the assembly of the telescopic tubes. Screw on the star grip (fig. 2/8) and hang on the securing chain (fig. 2/10).

Assembly of the telescopic tubes to chassis members

Insert the rubber grommets (fig. 3/12) into the pre-punched holes on the left hand part of the chassis member. Thread a washer (21) (fig. 3/17) onto each telescopic tube and insert the tubes through the rubber grommets. Insert another washer (21) (fig. 3/17) and the lug type bushing onto the ends of the tubes. Secure the telescopic tubes on to the chassis by fixing them either side with 2 x 4x36 split pins (fig. 3/20).

Securing the Spare Wheel in place

A hexagon head screw M12 (fig. 6/14) is secured in place in the middle pre-punched hole on the connection bracket with two washers (fig. 6/16) and a hexagon nut (fig. 6/18). Depending on the diameter of the hole of the wheel, a hexagon head screw M12 (fig. 6/14) is secured in place in the elongated hole of the connection bracket with two washers (fig. 6/16) and a hexagon nut (fig. 6/18).

The space between the wheel rim and the connection bracket (fig. 6/5) is also set with a self-locking nut (fig. 8/19). The spare wheel is tightened once in the middle with the taper clamping sleeve (fig. 6/7) and on the hole circle with the tapered nut (fig. 6/13).

N.B. Only tighten the tapered clamp and the tapered nut to the point where the spare wheel sits securely on the spare wheel holder. Excessive tightening can lead to damage to the wheel (pressure points). The two self-locking nuts (fig. 6/19), which are set in accordance with the height of the wheel rim, serve as a limit stop for the taper clamping sleeve (fig. 6/7) and tapered nut (fig. 6/13).

Assembly of the add-on kit, part no. 294284

The space between the holding plates and the axle should be approx. 700 mm. Drill two holes (\varnothing 12.5 mm), 275 mm apart, in the two parts of the frame. The holes must be drilled in the middle of the stay (neutral zone). Secure the two holding plates (fig. 4/24) with two hexagon head screws M12x25 (fig. 4/25) and self locking hexagon nuts M12 (fig. 4/26). Insert the locking screw (fig. 4/9) from the inside out through the pre punched hole (\varnothing 13) in the right holding plate. Tighten the hexagon nuts M12 (fig. 4/18).

Important note:

If this is added with two additional holding plates, the owner of the vehicle must (re)submit the vehicle for an MOT inspection, submitting a certificate confirming that the vehicle meets regulations (in accordance with § 19 of the Motor Vehicle Safety Ordinance (StVZO)).

OPERATION

In the event of a flat tyre, it is advisable to jack the caravan first to increase the space under the caravan to help with removal and ease of access.

To remove the carrier, first remove the securing hook and loosen the star handle. Gently pull the carrier by the two handles away from the chassis until it is clear of the chassis. Pull the carrier out until the spare wheel is visible and loosen the nuts and lift off the spare wheel. Reverse the process to return the carrier under the chassis, tighten the star handle and refit the securing hook.

MAINTENANCE

In order to ensure that the spare wheel carrier is working properly, the telescopic tubes must be cleaned at regular intervals to ensure that any dirt and debris that can accumulate during usage and journeys does not cause the tubes to stick. The tubes should not be greased.

SPARE PARTS

Spare parts are safety parts. If parts other than original AL-KO spares are used, this will invalidate the warranty and product liability, i.e. we, as manufacturers, will no longer assume liability for any faults and consequences which occur. Do not underestimate the consequential damages which can occur in traffic, including injuries to people!

If repairs are required, we operate a Europe-wide network of AL-KO Service Centres. If you require a directory of service stations, please visit our 'Service Centres' page on our website - www.al-ko.co.uk.

BEDIENUNGSANLEITUNG

INHALTSVERZEICHNIS

- Einleitung
- Sicherheitshinweise
- Montage
- Bedienung
- Wartung und Reinigung
- Ersatzteile

EINLEITUNG

Sehr verehrter Kunde,

Um eine zuverlässige Montage und Bedienung des AL-KO Ersatzradhalters zu ermöglichen, haben wir diese Anleitung geschaffen. Wir bitten Sie, vor der Montage die Anleitung einmal ganz durchzulesen und die technischen Daten zu beachten.

Die Bedienungsanleitung ist mit den Fahrzeugpapieren aufzubewahren.

SICHERHEITSHINWEISE

- Ersatzradhalter vorzugsweise so einbauen, daß das Ersatzrad an der abgewandten Seite der Straße entnommen werden kann.
- Nach der Montage den ordnungsgemäßen Anbau sowie die Funktion überprüfen.
- Vor dem Fahren vergewissern, daß der Sterngriff mit Sicherungshaken gesichert ist.
- Das Leergewicht erhöht sich durch den Anbau des Ersatzradhalters um ca. 6 kg und mit Halteplatten um ca. 7,8 kg zuzüglich dem Gewicht des Ersatzrades. Die Nutzlast verringert sich entsprechend.
- Durch den Einbau dürfen keine anderen Einrichtungen beeinträchtigt werden.

MONTAGE

Montage des Schiebeteiles

Die beiden Teleskoprohre (Bild 1/1) werden durch das Verbindungsblech (Bild1/5) und die Befestigungsplatte (Bild2/4) verbunden. Das Verbindungsblech mit 2 Klemmschellen (Bild1/6), 4 Skt.- Schrauben M 6x12 (Bild1/22) sowie 4 Skt.-Muttern (Bild1/23) befestigen. Der Abstand zur Befestigungsplatte soll ca. 400 mm betragen (Reifengröße beachten). Die Befestigungsplatte(Bild2/4) mit 4 Skt.- Schrauben M 6x30 (Bild2/21) sowie 4 Skt.- Muttern M 6 (Bild2/23) an den Teleskoprohren verschrauben.

Am rechten Rahmenteil die Arretierschraube (Bild2/9) von innen nach außen durch die Bohrung Ø13 stecken. Skt.-Mutter M12 (Bild 2/15) festschrauben. Das Schiebeteil nach der Montage der Teleskoprohre am Rahmen einhängen. Sterngriff (Bild 2/8) aufdrehen und Sicherungskette (Bild 2/10) einhängen.

Montage der Teleskoprohre

In die vorhandenen Bohrungen im linken Rahmenteil (in Fahrtrichtung) Gummitüllen (Bild 3/12) einschieben. Auf jedes Teleskoprohr eine Scheibe 21 (Bild 3/17) fädeln und Rohre durch die Gummitüllen stecken. Auf die Rohrenden eine weitere Scheibe 21 (Bild 3/17) sowie eine Ansatzbuchse (Bild 3/11) aufstecken. Durch beidseitiges Befestigen mit je 2 Splinten 5x30 (Bild 3/20) die Teleskoprohre im Rahmen sichern.

Befestigung des Ersatzrades

Auf dem Verbindungsblech (Bild 6/5) wird in der mittigen Bohrung eine Sechskantschraube M12 (Bild 6/14) mit zwei Scheiben (Bild6/16) und einer Sechskantmutter (Bild6/18) befestigt. Im Langloch wird entsprechend dem Lochkreisdurchmesser des Rades ebenfalls eine Sechskantschraube M12 (Bild 6/14) mit zwei Scheiben (Bild 6/16) und einer Sechskantmutter (Bild

6/18) verschraubt. Mit jeweils einer selbstsichernden Mutter (Bild 6/19) wird der Abstand zwischen der Felge und dem Verbindungsblech (Bild 6/5) eingestellt. Das Ersatzrad wird einmal mittig mit dem Spannkegel (Bild 6/7), sowie am Lochkreis mit der Kegelmutter (Bild 6/13) festgespannt.

Bitte beachten: Den Spannkegel und die Kegelmutter nur so fest anziehen, daß das Ersatzrad spielfrei auf dem Ersatzradhalter befestigt ist. Übermäßiges Festspannen kann zu Beschädigungen des Rades (Eindruckstellen) führen. Die beiden, entsprechend der Felgenhöhe eingestellten, selbstsichernden Muttern (Bild 6/19) dienen als Anschlag für Spannkegel (Bild 6/7) und Kegelmutter (Bild 6/13).

Montage Nachrüstsatz part.-Nr. 294284

Der Abstand der Halteplatten bis zur Achse soll ca. 700mm betragen. In die beiden Rahmentteile werden zwei Bohrungen Ø12,5 mm im Abstand 275 mm gebohrt. Die Bohrungen müssen in der Stegmitte (neutrale Zone) angebracht werden. Die beiden Halteplatten (Bild 4/24) mit 2 Skt.-Schrauben M12x25 (Bild 4/25) und selbstsichernde Skt.-Muttern M12 (Bild 4/26) befestigt.

Die Arretierungsschraube (Bild 4/9) von innen nach außen durch die Bohrung Ø13 in der rechten Halteplatte stecken. Skt.-Mutter M12 (Bild 4/18) festdrehen.

Wichtiger Hinweis: Bei nachträglichem Anbau mit zwei zusätzlichen Halteplatten hat der Fahrzeughalter unter Vorlage des Gutachtens über den vorschriftsmäßigen Zustand des Fahrzeugs eine erneute Betriebserlaubnis für das Fahrzeug bei der Zulassungsstelle zu beantragen (gem. § 19, Abs. 2 StVZO).

BEDIENUNG

Im Falle einer Reifenpanne, ist es ratsam, die Karawane Erste den Raum unter dem Wohnwagen zu erhöhen, um mit der Entfernung und einen leichten Zugang Hilf Jack. Um den Träger zu entfernen, entfernen Sie zunächst die Sicherungshaken und lockern den Kreuzgriff. Ziehen Sie den Träger durch die beiden Griffe vom Chassis bis es klar des Chassis ist. Ziehen Sie den Träger aus, bis das Ersatzrad ist sichtbar und lösen Sie die Muttern und heben Sie das Reserverad. Den Prozess umzukehren, um den Träger unter dem Chassis zurück, Spannen Sie den Stern Griff und setzen Sie den Sicherungshaken.

WARTUNG

Um die Funktion des Ersatzradhalters sicherzustellen, sind die Teleskoprohre in ausgezogenem Zustand zu reinigen und einzufetten.

ERSATZTEILE

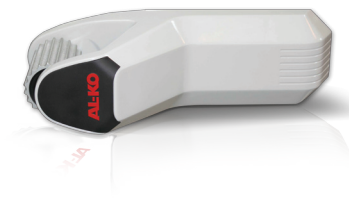
Ersatzteile sind Sicherheitsteile. Werden andere als AL-KO Originalersatzteile eingesetzt erlischt die Gewährleistung und Produkthaftung d. h. wir als Hersteller sind für eventuell auftretende Fehler und Folgen nicht mehr haftbar. Folgeschäden bis hin zu Personenschäden sind im Straßenverkehr nicht zu unterschätzen, bitte bedenken Sie dies bei Ersatzteilen!

Im Reparaturfall verfügen wir über ein flächendeckendes Netz von AL-KO Servicestationen in Europa. Das Servicestellenverzeichnis kann bei Bedarf direkt bei uns angefordert werden.

COMPLEMENTARY PRODUCTS

AL-KO AMS MAMMUT

AMS Mammut is the only caravan mover designed to fully integrate with the AL-KO Chassis. With the power and strength to improve the manoeuvrability over uneven terrain and inclines, plus the agility to handle tight spaces AMS Mammut is the next, natural product choice for your caravan.



Fitting AMS Mammut to your caravan gives you maximum ground clearance and protects your investment against collision damage from hitting kerbs, speed bumps and potholes.

FEATURES & BENEFITS

- **Simple operation** - Simple, one handed operation via the joystick allowing smooth and sensitive speed control and continuous 360° manoeuvring.
- **Precise manoeuvring** - The remote control directs the movement of the caravan to the desired position using variable speed and close control. The variable speed control also simplifies the coupling process of the caravan to the towing vehicle.
- **Powerful, reliable technology** - AL-KO AMS Mammut can overcome obstacles and kerbs up to 4cm high inclines up to a maximum of 28%. The lightweight design means the complete system weighs only 29 kg (excl. battery) and the durable outer cover completely seals the unit from water ingress, and guarantees functionality even in wet conditions.

AL-KO SIDE LIFT JACK

The AL-KO side lift jack is the perfect solution for lifting a caravan to change a wheel, or to fit the al-ko secure wheel lock. The simple to use, smooth winding operation of the jack allows the caravan to be lifted easily with the minimum of effort.

FEATURES & BENEFITS

- **Fitting underneath** - it is deployed under the caravan (leave the towing vehicle coupled in position).
- **Insert system** - Positive engagement via the insert pocket of the mounting bracket prevents sliding. The specially designed brackets reinforce the chassis frame and stiffen the caravan floor, providing significant local support for jacking.
- **Two versions are available**, one for vehicles up to 1600 kg and one for 1601 kg - 2000 kg weight ranges.
- **The kit includes** a set of support brackets and all fixings and operating instructions



AL-KO AKS 3004

The AKS 3004 Stabiliser efficiently and effectively suppresses the initial signs of vehicle instability and snaking movements of the caravan or trailer.

Made from low-wear material, four specially engineered friction pads surround the towball and continue to ensure optimum friction damping.

Fitment of the AKS 3004 stabiliser significantly improves the smoothness of a journey and provides the driver with the confidence and control required to handle critical driving situations such as high cross winds and overtaking HGV's more effectively.



FEATURES & BENEFITS

- Improves towing stability by 30%
- Easy to use - simple lever action
- Safe towing - safety fitment indicator shows correct coupling
- Safety indicators to monitor wear on the towball, front/rear and side friction pads
- Light and compact design, built for long life - galvanised and corrosion resistant
- Integrated brackets for AL-KO Security Device (available separately)
- High weight load - max. cap. 3000 kg
- Universal model - fits most chassis
- Friction pads are available as spares

AL-KO ATC

AL-KO Automatic Trailer Control is the award winning electronic braking system for caravans. ATC monitors and applies the caravan brakes should the vehicle experience unexpected instability due to high winds, overtaking HGV's or during evasive manoeuvres.

ATC can be retro-fitted to any caravan running on an AL-KO chassis and runs off either the 12 volt 7-pin supplementary socket or alternatively off 13-pin electrics.

The AL-KO ATC trailer control system provides the assurance to drivers that, even in the most difficult of driving scenarios, the stability of their caravan and car is monitored, providing an unparalleled level of safety during the journey.

FEATURES & BENEFITS

Insurance discounts - ATC is proven to be so stable, that most insurance companies offer a discount for caravans with ATC fitted.

3 Easy fitment options - Choose from nationwide AL-KO approved Service Centres, mobile fitting services or AL-KO's Head Office in Southam.



AL-KO SECURE

The AL-KO Secure Wheel Lock is the most secure anti-theft device available for any caravan with an AL-KO chassis with alloy wheels. The Sold Secure Diamond Standard wheel lock provides the highest level of protection to ensure that the caravan remains safe and secure on site, at home or in storage.

With over 33,000 security combinations, a 9 pin anti-pick radial lock mechanism and a registered key management system, AL-KO Secure is the most effective anti theft deterrent available for caravans.

Leading insurance companies offer significant discounts where AL-KO Secure is fitted and when combined with other AL-KO Security Devices even greater reductions can be achieved.

FEATURES & BENEFITS

- Sold Secure SS110 Diamond Approved
- Registered key management system
- Drill resistant lock with anti-pick tumbler system
- Wheel specific insert protect wheel nuts
- Precision engineering contoured to your alloy which prevents leverage
- Positioning of wheel receiver protects stub axle bolt/nut and receiver fixings



PREMIUM JOCKEY WHEEL

AL-KO Jockey Wheels are designed for stability, durability, ease of operation and long service life. They are available in a variety of models, with a range of innovative features to suit your personal caravanning needs.

The Premium Jockey Wheel (shown) is designed for use with motorised caravan movers and features extra wide, grooved rubber tyres, swing arm suspension and an integrated load indicator to gauge the nose weight of the caravan. This saves time and effort preparing for your journey.

FEATURES & BENEFITS

- Integrated Wheel Nose Load Display
- Broad, grooved rubber wheel
- Integrated swing arm suspension
- Detachable wheel
- Removable, ergonomic crank handle
- Thrust bearing and low friction crank ensures smooth and easy operation
- High-quality corrosion protection



CALL US NOW ON 01926 818500 EMAIL US MAIL@AL-KO.CO.UK OR VISIT WWW.AL-KO.CO.UK TO PLACE YOUR ORDER.



FOR THE FULL RANGE OF AL-KO ACCESSORIES, AND ADVICE ON HOW TO FIT AND USE THEM, VISIT WWW.AL-KO.CO.UK

WHEELS AND TYRES
JOCKEY WHEELS

Prop stands/Clamps and Fixing Kits Heavy duty, Standard and Special.

STABILISERS AND SECURITY DEVICES

SHOCK ABSORBERS

ATC ANTI SNAKE BRAKING SYSTEM,

COUPLING HEADS

Unbraked or Braked

OVERRUN DEVICES

Delta or Square

AL-KO BIKE RACK

SPARE WHEEL CARRIER

LIGHTING/ELECTRICAL EQUIPMENT

Reflectors, Lights and Fog Lamps

MUDGUARDS

Plastic or Galvanised Steel in different sizes, Single or Tandem

MUDFLAPS

Plastic Moulded Winches,

CABLES & STRAPS

Load Reverse Braked Winches, Compact Winches, Unbraked Winches

JACKS

Side Lift and Scissor Jacks

WHEEL CHOCKS AND CARRIERS

Plastic or Galvanised Steel

CORNER STEADIES

Electric, Universal and Swivel Foot Corner Steadies

CORNER STEADY COMFORT KIT

A-FRAME CHASSIS



QUALITY FOR LIFE

AL-KO Kober Ltd, South Warwickshire Business Park, Kineton Road, Southam, Warwickshire, CV47 0AL
E-Mail: mail@al-ko.co.uk www.al-ko.co.uk Tel: 01926 818500

Due to a policy of continuous product improvement, AL-KO reserves the right to change technical specifications.

Part No. 1555865 06/13.