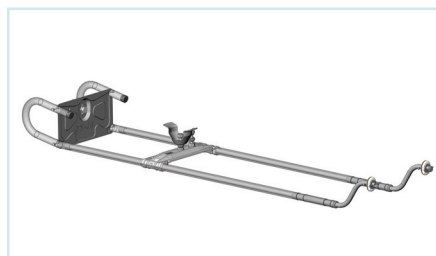


**AL-KO**

QUALITY FOR LIFE



## AL-KO SPARE WHEEL CARRIER FOR CARAVANS



# AL-KO SPARE WHEEL CARRIER

## SPECIFICATIONS

- I Zinc plated for all weather protection
- I Carrier can be fitted for left or right hand operation
- I Ideal location for weight distribution
- I 4 versions to fit most AL-KO caravan chassis
- I Provision for securing with a padlock

The new spare wheel carrier provides the answer to where to stow the spare wheel without taking up space inside the caravan or in the front locker. The carrier has been redesigned to provide more support and smoother, more efficient operation even when loaded with heavier alloy wheels and tyres.

## POSITION

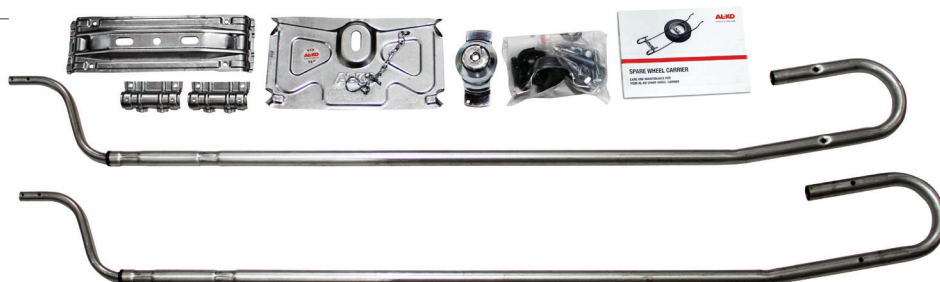
The new carrier fits conveniently beneath the caravan chassis and locates into the pre-punched holes in the chassis members. Located in the ideal position just behind the axle, the carrier is sited for optimal weight distribution without impacting on the nose load of the caravan, and therefore assists with the overall stability of the vehicle.

As with the old carrier, the new version can be positioned to be extracted from either side of the caravan depending on individual requirements, and where being used on UK roads, the carrier can always be accessed from the nearside and away from the traffic. When travelling on European roads, the carrier can be positioned to allow access from the opposite side of the vehicle making it safer to change the wheel in the event of flat tyre.



## KIT CONTENTS

- Extending carrier tubes
- Connection bracket
- Endplate
- All fixings
- Handbook



## OPERATION

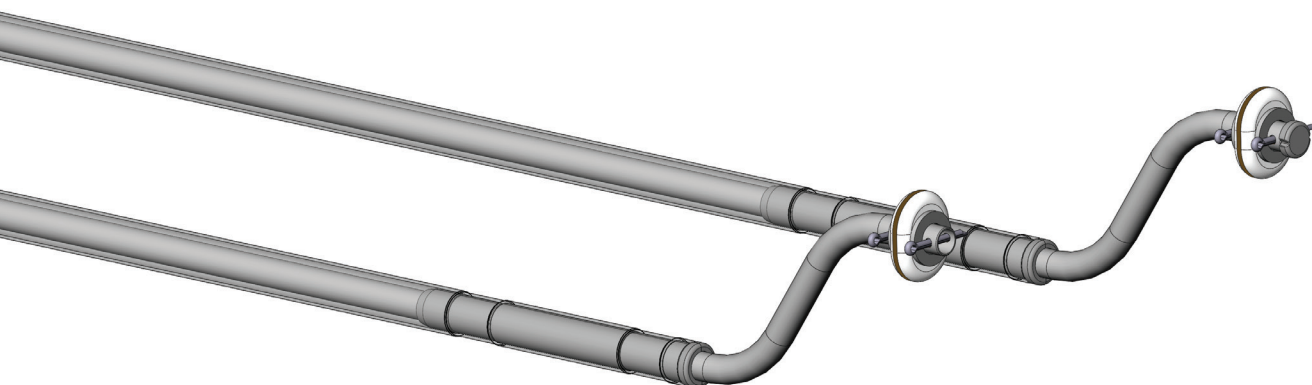
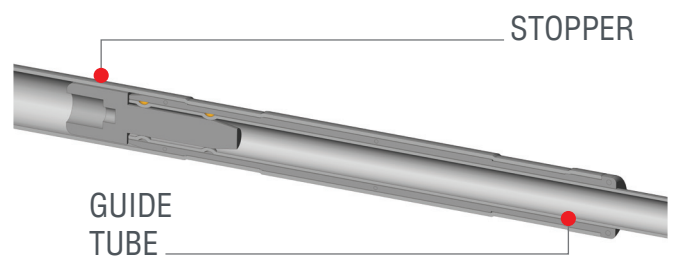
The carrier is designed to slide out from underneath the caravan to allow access to the spare wheel mounted across the frame. The carrier is secured in place via a star wheel nut which also features a security chain to prevent it from working loose during a journey.

To remove the carrier in the event of a flat tyre, simply remove the security chain and unwind the star wheel nut. Once removed, grasp the handles of the carrier and slide outwards until the handles are clear of the chassis. Lower the handles towards the ground and continue to pull the carrier out from underneath the caravan until the wheel is accessible. The wheel is secured in place with a threaded clamping cone. Unwind the clamping cone to allow the wheel to be removed.

To replace the carrier once the wheel has been changed, place the removed wheel on the carrier, ensuring that the centre bolt is accessible and re-fit the clamping cone. Hand tighten the cone to secure the wheel. Do not overtighten as this might lead to damage to the wheel. Slide the carrier back underneath the chassis and lift the handles back into the hole positions on the chassis member. Tighten the star wheel nut and replace the security chain.

## NEW GUIDE TUBES

The new carriers now feature self lubricating internal guide tubes and stoppers. These new additions fit inside and around the inner tube of the carrier to provide additional strength and support whilst significantly improving the sliding mechanism of the carrier. The internal guides support the frame of the carrier and prevent the tubes from bending under the weight of the wheel, ensuring the sliding operation is smooth and the mechanism does not seize when fully extended.



## FITMENT

The AL-KO Spare Wheel Carrier is a self-fitment item and is suitable for retrofitment to most caravans on an AL-KO chassis.

There are four versions of the AL-KO carrier available to cover caravans with chassis member widths between 1050-1815mm. To determine which model is suitable for your caravan refer to instructions on the reverse side of this leaflet.

# AL-KO SPARE WHEEL CARRIER

## Compatible Carrier Identification

# AL-KO

QUALITY FOR LIFE

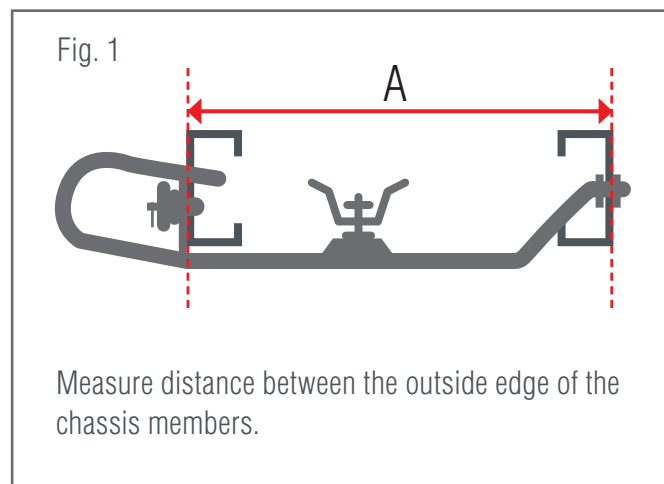
### STEP 1

Measure distance between the chassis members (Fig 1) and refer to Table 1 to determine correct part number.

Table 1

Part Number	Distance Between Main Members (A)	Weight
1555934	1050 - 1250mm	6.4kg
1556005	1265 - 1515mm	6.8kg
1556159*	1410 - 1715mm	7.7kg
1556010	1465 - 1815mm	7.7kg

\* 1556159 is a pre-assembled carrier.



### STEP 2

Check which tyre size is fitted to your caravan (eg. 185 R14).

### STEP 3

Measure the distance marked 'X' on the caravan chassis main member (Fig. 2).

### STEP 4

Compare Dimension X against your tyre size using Table 2. Ensure it is within the limits for your spare wheel carrier part number.

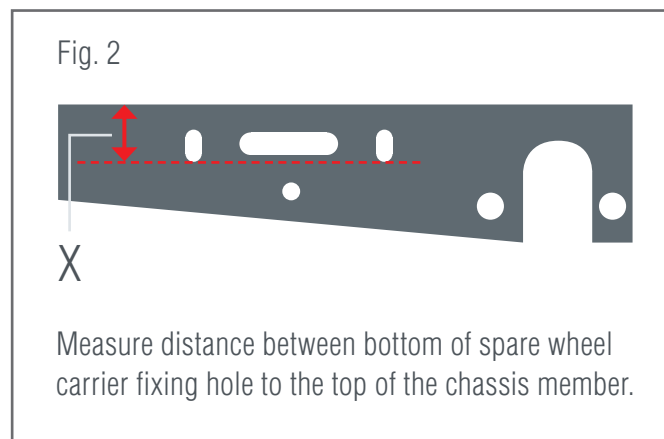


Table 2

Dim X (Mm)	Maximum Tyre Size For 1555934	Maximum Tyre Size For 1556005, 1556159 & 1556010
75	155 R13	175 R13, 175 R14, 175/70 R14
85	165 R13	185 R13, 185 R14
95	175 R13, 175 R14, 175/70 R14	195 R13, 195 R14, 195/70 R14
105	185 R14	205/70 R14, 205/70 R15
115	195/70 R14	205/70 R14, 205/70 R15
125	205/70 R14, 205/70 R15	-

#### AL-KO KOBER LTD

South Warwickshire Business Park  
Kineton Road  
Southam  
Warwickshire  
CV47 0AL