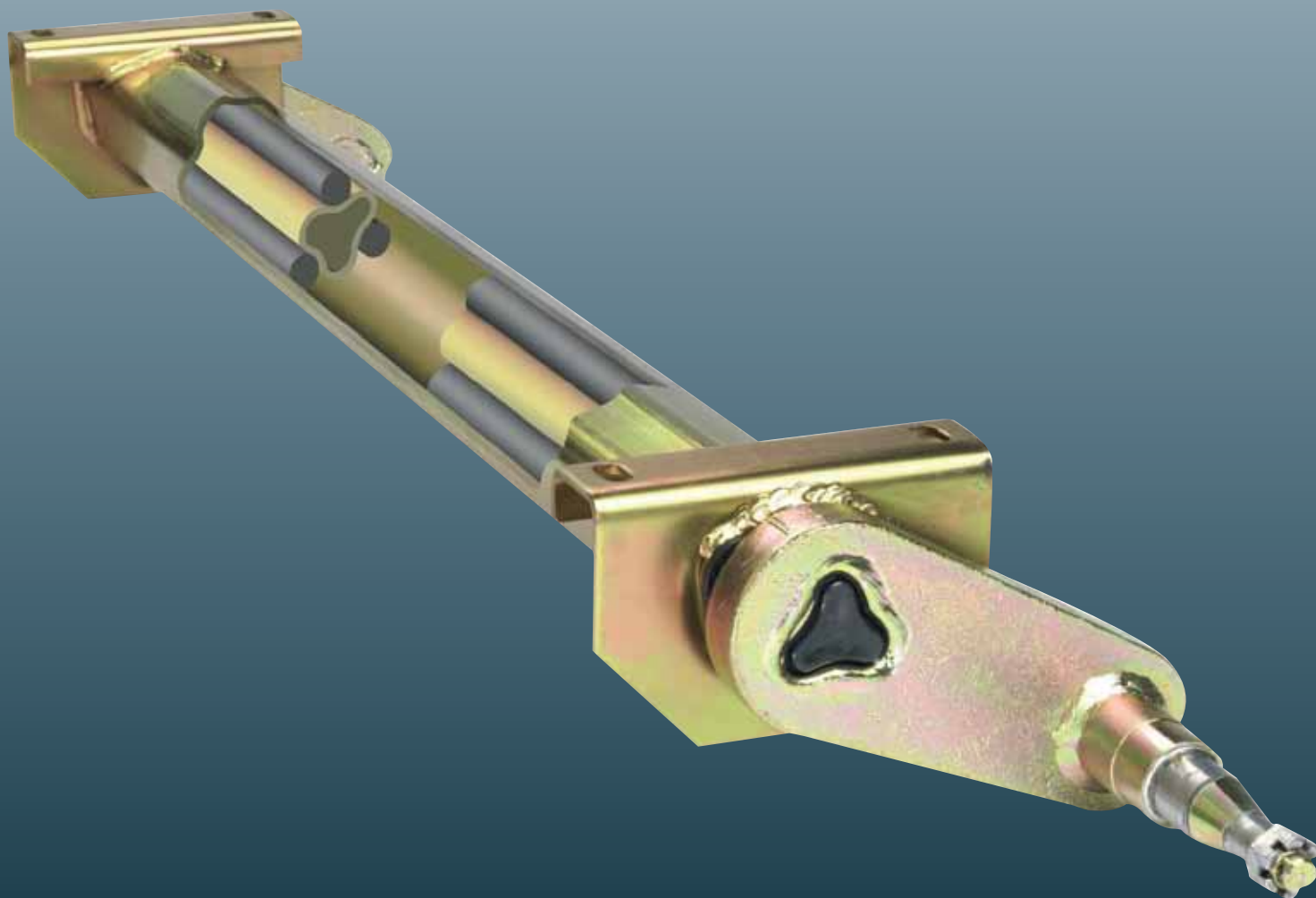


QUALITY FOR LIFE

AL-KO



AL-KO IRS AXLE

The state of the art AL-KO Independent Rubber Suspension (IRS) Axle represents the benchmark in fully independent trailer suspension. Featuring AL-KO's unique hexagonal rubber suspension system, the IRS axle is manufactured to exact engineering standards and is fully tested using the most sophisticated alignment technology.

How does it work?

The AL-KO IRS axle uses simple and effective engineering to provide a smooth, stable and safe towing experience. Unique to the AL-KO IRS axle is the hexagonal outer axle tube, which houses three rubber elements held in place by a triple-fluted inner tube axle. Road shocks are dampened through compression of these rubber elements via suspension movement between full bump and rebound.

The unique self-dampening characteristics of the rubber element slow down the suspension rebound, which ensures a smooth ride over all types of road surfaces as shown in the diagram.

At AL-KO, quality is important and, as such, each individual IRS axle is manufactured to exact engineering standards. AL-KO also uses the most advanced technology to test each axle for toe-in and camber, as well as load

rated deflection.

Mounting options

A special feature of the AL-KO IRS axle system is its mounting flexibility. The standard axle can be bolted to a bracket that is fixed on to the chassis. In marine configuration, it can be u-bolted onto the chassis rails to allow repositioning along the chassis. This provides optimum tow-ball weight under situations where the load centre is varied.

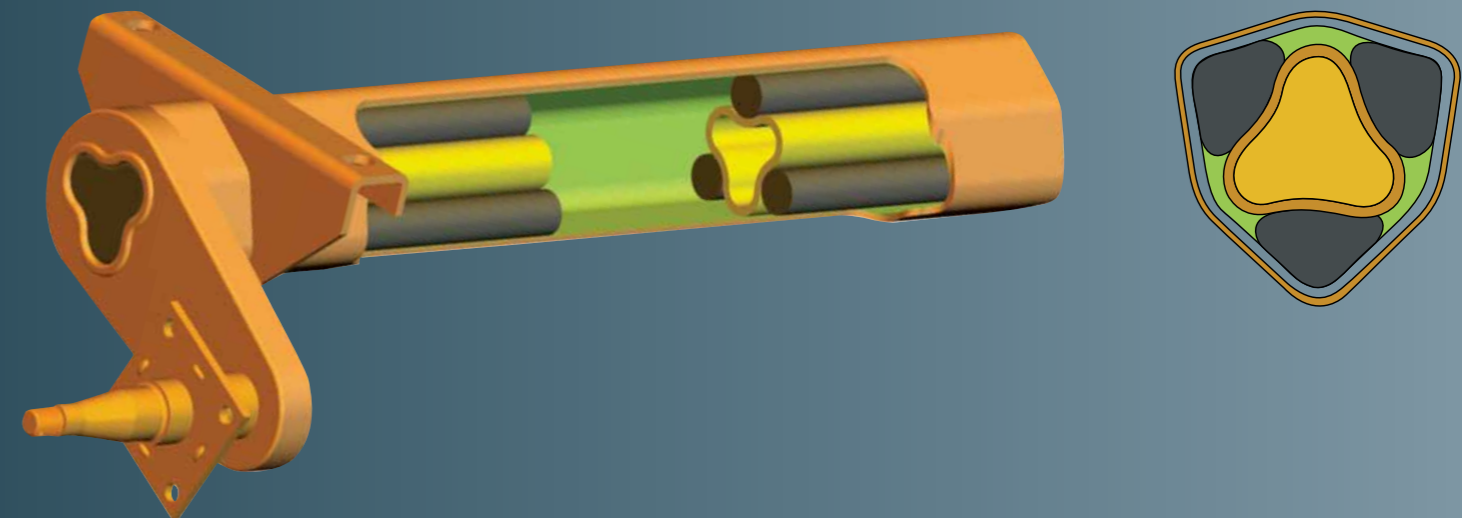
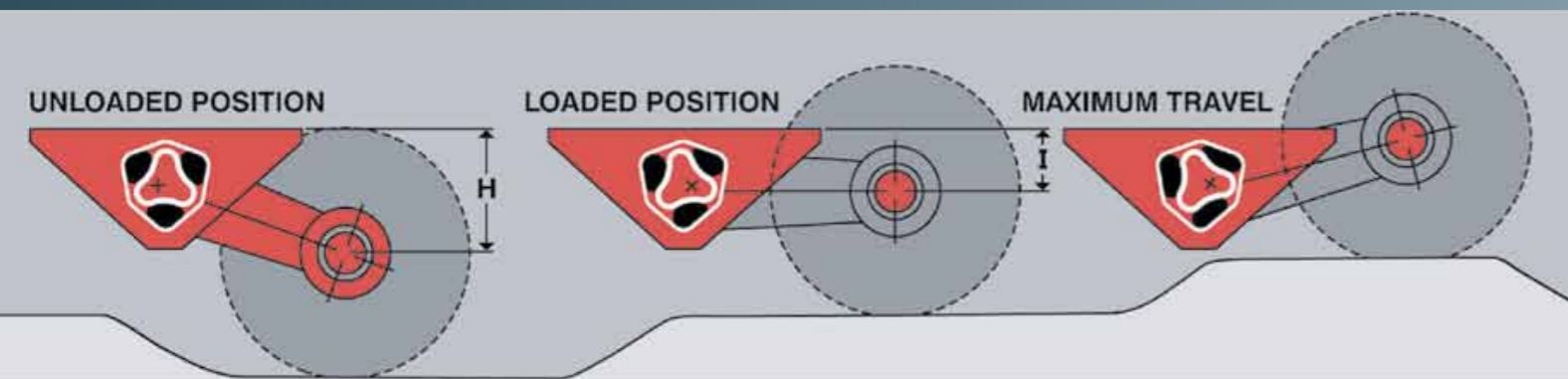
Features and Benefits

- Made in Australia for Australian conditions
- Does not suffer from instability or axle steer in operation
- Optional shock absorbers to provide better control, increased safety and reduced suspension rebound
- Available in half, single, tandem and tri-axle
- Backed by an International company
- Each axle is tested for optimum performance
- Lower ride height for marine lowering and retrieval

- Fewer moving parts means less maintenance required
- Galvanised axles available for marine applications
- Withstands 3 times its rating in shock load
- Easy to fit

The average trailer or caravan suspension simply can't cope with Australia's varying road conditions. At best, they offer a compromise between ride and handling. At worst, the rigors of Australian roads can cause instability, dangerous snaking and weaving under heavy load and costly wear on standard trailer suspension components.

As the market leader in trailer componentry, AL-KO Australia has developed the Independent Rubber Suspension axle with the view to making towing instability a thing of the past. For over 15 years, the AL-KO IRS axle has continued to stand up to Australia's rigorous and varying road conditions on all types of trailers – proving that it is the perfect axle for all trailing applications.



OFF ROAD



The sophisticated engineering and construction of the AL-KO IRS axle gives users confidence that their trailer will stick to the road. In addition to its superior design qualities, the axle's self-dampening characteristics ensure that it is the prime choice for off-road applications.

The optional shock absorber kit enables even greater off-road ability for the trailer and because the axle can be galvanised or zinc.

CARAVANS



An increasing number of caravan owners are finding the added stability and control of the IRS axle provides peace of mind under all conditions. The improved stability increases the control the user has on the varying road conditions found throughout Australia.

Optional ride heights and less moving parts are among the features that make AL-KO's IRS system the ideal choice for caravans.

BOAT TRAILERS



A functional, long-life suspension system that can resist corrosive salt-water is simply a must for boat trailers.

The long-life rubber torsion elements, galvanised and plated components provide optimum resistance to the damaging effects of salt-water immersion.

Marine brackets ensure the position of the AL-KO IRS can be adjusted for correct balance.

HORSE FLOATS



The inherent self-dampening characteristics of the AL-KO IRS axle system give a smoother ride and greater resistance to snaking and sway in shifting load trailers such as horse floats.

The smoother ride means greater comfort and less stress on your animals. In addition, the design of the IRS system means a lower floor height can be achieved for easier access.

TRAILERS



The sophisticated engineering and construction of the AL-KO IRS axle gives users confidence that their trailer will stick to the road. In addition to its superior design qualities, the axle's self-dampening characteristics ensure that it is the prime choice for off-road applications.

AL-KO IRS axle can be galvanised or zinc plated, you can be assured it will last, with a level of stability and control that other suspension systems simply can't match.

AL-KO's Independent Rubber Suspension axle system is extensively used in a range of applications, from off-road to marine and heavy-duty trailers. This enables caravans and trailers of all styles to handle Australia's rough terrain and varying conditions better than ever before. Its strength and versatility ensure that this axle is perfect for use in Australia.

TECHNICAL SPECIFICATIONS

Feature / Item	Specifications
OUTER TUBE	
Steel grade	Hot rolled steel. DIN 1016
Profile	Hexagonal design ranging from 62mm - 120mm
INNER TUBE	
Steel grade	Hot rolled steel. S355MC
Profile	Three leaf clover design ranging from 41mm x 4mm - 84mm x 8mm
RUBBER	
Diameter	Ranging from 22mm to 42mm
Material	Natural Rubber
Shore Hardness	From 64 - 72 Shore Hardness
Finish	Yellow Zinc Passivate and Hot Dipped Galvanised
Ride Height	Choice of Standard or Lowline*
Axle Type	Full Beam Axles or Half Axles
AXLE CAPACITIES	
Highway	From 300kg to 2500kg
Offroad	From 850kg to 2500kg
Wheel Size	From 10" to 16"
Brakes	Choice of Electric, Hydraulic or Mechanical**

Further information can be obtained by contacting AL-KO on 1800 035 603 or by visiting the AL-KO Australia website: www.alko.com.au

AL-KO International Pty Ltd (ABN 96 003 066 813)

VIC: 67 Nathan Road, Dandenong South, 3175, Phone (03) 9767 3700, Fax (03) 9792 0877

NSW: 14 Toohey Road, Wetherill Park, 2164, Phone (02) 9725 4655, Fax (02) 9725 4557

QLD: 13 Union Circuit, Yatala, 4207, Phone (07) 3386 6300, Fax (07) 3808 1719

NZ: 1 Airpark Drive, Auckland, 2022, New Zealand, Phone (09) 255 5611, Fax (09) 255 5612