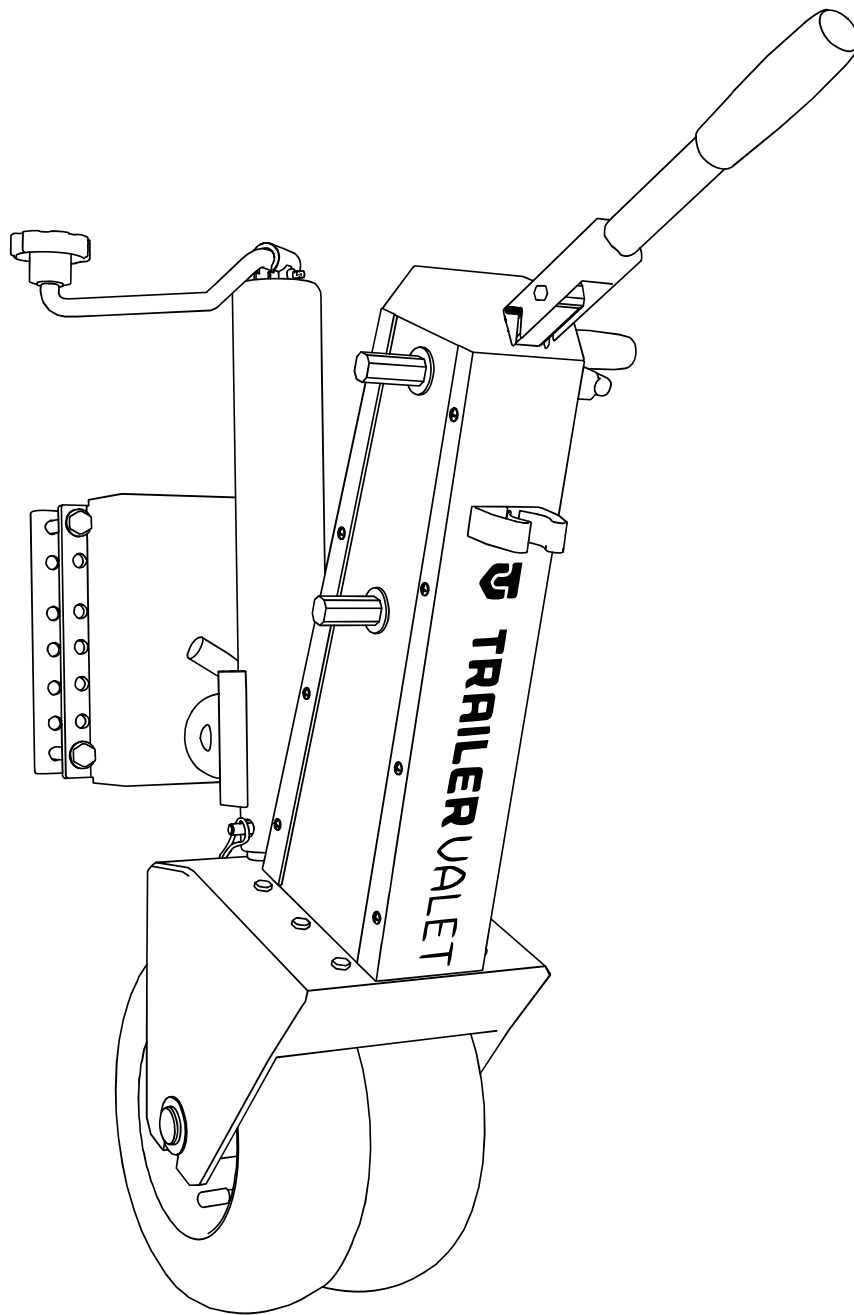


TRAILER VALET 5X



OPERATING MANUAL

THE MOST ADVANCED TRAILER DOLLY ON THE PLANET

WARNING

Carefully read and understand all the instructions before mounting your new Trailer Valet.

Failure to follow these guidelines may result in serious injury to persons and property for which the manufacturer cannot be held liable.

Do not allow persons to operate or assemble this trailer dolly until they have read this manual and have developed a thorough understanding of how the trailer dolly works.

SAVE THESE INSTRUCTIONS

TABLE OF CONTENTS

SPECIFICATIONS	3
WHAT'S IN THE BOX.....	3
WARNINGS.....	4
OVERVIEW.....	5
ASSEMBLY.....	6
INSTALLATION	7
OPERATING INSTRUCTIONS	8-10
WARRANTY.....	10
MAINTANENCE.....	11

THANK YOU FOR YOUR PURCHASE!

Congratulations on your purchase of the patented Trailer Valet. For your future reference please complete the owner's record below:

Purchase Date: _____ Retailer: _____ Order No.: _____

Be sure to save your receipt and owner's manual with warranty information in a safe place.

SPECIFICATIONS

The Trailer Valet is made of high strength steel and given a powder coat finish made to resist corrosion from the elements and marine use. When cared for properly, it will provide years of service. Trailer Valet mounts to the side of trailer tongue. Once mounted to your trailer, the Trailer Valet makes maneuvering your trailer much easier than your old jack. Hitching and unhitching, leveling, and moving is now done with precision. The Trailer Valet 5X is designed for trailers up to 5,000 lbs. The Trailer Valet is for use only on paved surfaces or compacted gravel and soils that are free of debris.

Wheel size: 8 inches

Jack range: 16 inches

Tongue max weight: 500 lbs.

Trailer max weight: 5,000 lbs.

Weight: 50 lbs.

Maximum dimensions: 28" H x 14" L x 7.5"

Patented under US Patent number 6,619,671 and 6,739,601.

WHAT'S IN THE BOX

Before assembling your Trailer Valet, double check that you have all the parts and tools you'll need.

Included in the box:

- 1 -- Assembled Trailer Valet
- 4 -- Lock washers
- 1 -- Drive handle (Part Number 4)
- 1 -- Mounting bracket (Part Number 20)
- 2 -- Trailer mount clamp (Part Number 21)
- 1 -- Rotation pin (Part Number 23)
- 1 -- Owner's manual
- 4 -- Washers
- 4 -- Bolts and nuts
- 1 -- Stow pin (Part Number 22)
- 1 -- Security bolt (Part Number 21b)

Tools that you will need:

- 2 -- Crescent wrench

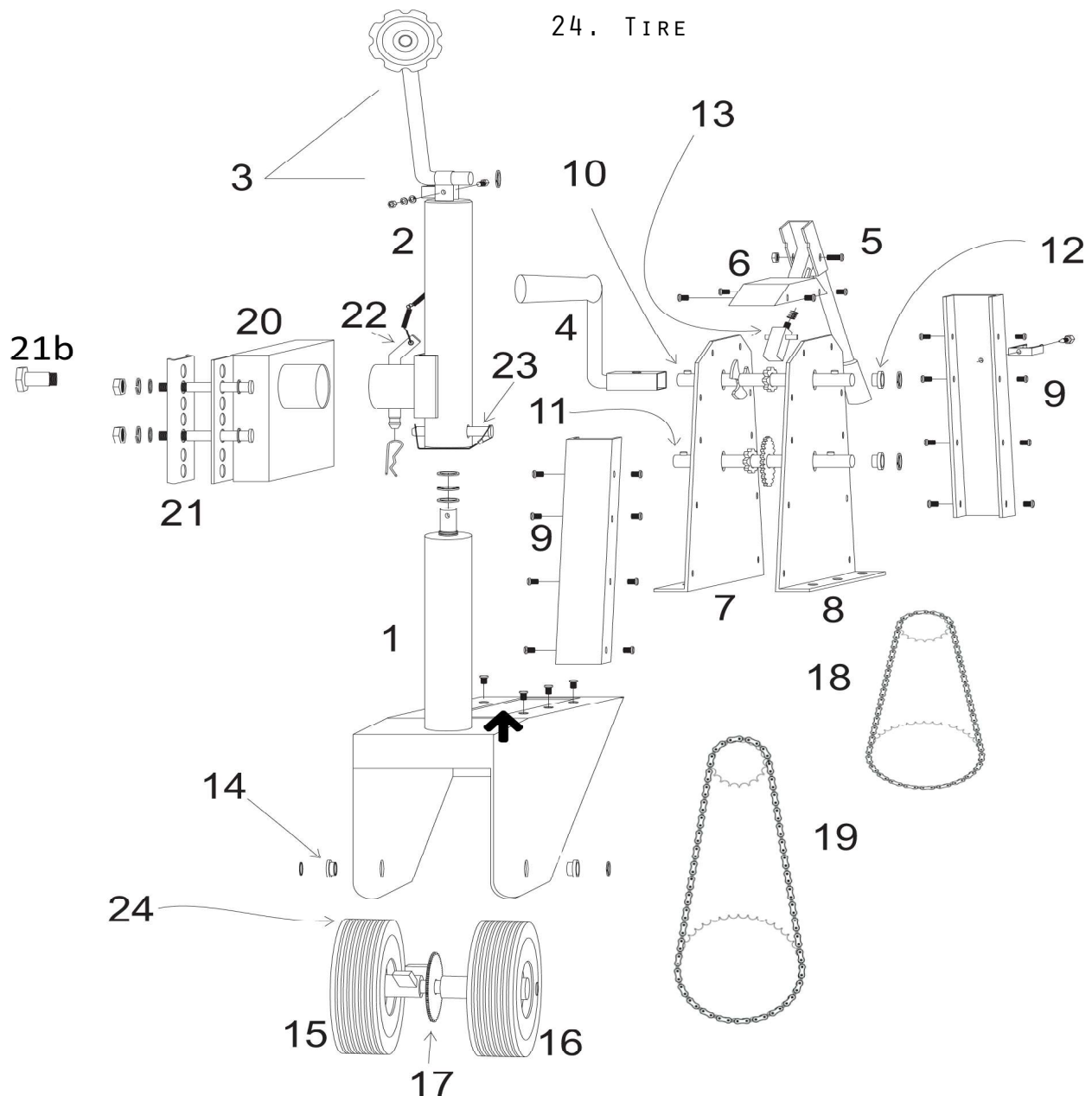
WARNINGS

- Carefully read all instructions.
- The Trailer Valet is designed for specific applications only. SuperTech S. Corporation cannot be responsible for issues arising from modifications made onto the device. Do not modify the device or use the device for any application other than its intended purpose. Do not exceed the designated weight limits.
- Do not operate the device while under the influence of drugs or alcohol. Read prescription warning labels to determine if the use of prescription drugs may impair your ability to operate the device.
- Stay Alert! Do not operate if you are tired.
- As with all devices with moving parts, do not wear excessively loose clothing, as it may become caught, resulting in injury. Tie back and secure long hair.
- Have a second person guide your trailer's movements while using the Trailer Valet to avoid property damage, especially in narrow or poorly visible areas.
- Operator and bystanders should never place any part of the body under or in the path of any portion of this product or the load being supported or moved.
- This product must be installed and used in strict accordance with these instructions.
- Always remember to set the brakes before leaving or if you are having trouble maintaining control of the trailer.
- DO NOT use the Trailer Valet on slopes and inclines.
- In preparing this manual, we strive to cover all possible conditions that the customer may encounter when using the Trailer Valet. The operator of the product must exercise common sense, caution and full judgment when assessing situations not covered or cautioned in this manual.
- DO NOT use the Trailer Valet with underinflated tires.
- Always read and understand your drill/driver operator's manual and instructions.
- Before each use of the Trailer Valet, check for damaged parts. Carefully inspect the device for any part that appears to be damaged to determine if the device will operate properly. Check for alignment and secure mounting of all moving parts. If the device is neither aligned, secured or both, DO NOT use the device. We recommend attaching wheel blocks on the wheels of the vehicle until the device can be properly repaired or replaced by a qualified technician.
- When servicing, use only factory replacement parts.
- This product is not intended to be used as a transport device for the implement it is attached to.
- Have wheel blocks ready in case of emergency.
- Never exceed the maximum rated capacity. Refer to the operating manual or decals on the product to obtain rated capacity. If uncertain, contact Customer Support at 626-400-6299 or visit the website www.trailervalet.com.
- These dollies are designed for vertical loading. Excessive side forces may cause failure and must be avoided.
- The use of gloves is recommended while attaching the device to the trailer.
- The Trailer Valet is designed for use on solid surfaces or compact gravel and grass. DO NOT use the product on excessively soft surfaces or muddy terrain, since the device will not be able to gain traction. If there is no traction despite being on a solid surface, consider lowering the Trailer Valet further or shifting more of the weight of your trailer forward.
- DO NOT submerge the Trailer Valet in water (salt or fresh) or leave it in water for prolonged periods, since this can damage the gears and erode lubricants.

OVERVIEW

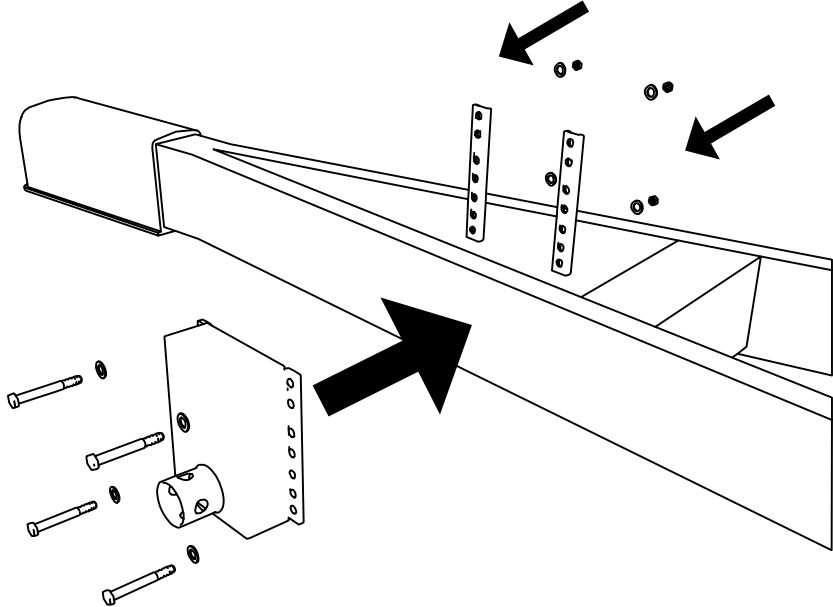
PART DIAGRAM:

- | | |
|--------------------------|----------------------------|
| 1. AXLE YOKE ASSEMBLY | 12. DRIVE SHAFT BEARING |
| 2. ACME JACK ASSEMBLY | 13. BRAKE ENGAGEMENT LEVER |
| 3. JACK CRANK | 14. AXLE BEARINGS |
| 4. DRIVE HANDLE | 15. DRIVE WHEEL |
| 5. STEERING/BRAKE HANDLE | 16. FOLLOW WHEEL |
| 6. BRAKE CAP ASSEMBLY | 17. AXLE GEAR |
| 7. LEFT BEARING HOUSING | 18. LOW GEAR CHAIN |
| 8. RIGHT BEARING HOUSING | 19. HIGH GEAR CHAIN |
| 9. GEAR COVER | 20. TRAILER MOUNT BRACKET |
| 10. LOW GEAR DRIVESHAFT | 21. TRAILER MOUNT CLAMP |
| 11. HIGH GEAR DRIVESHAFT | 21B. SAFETY BOLT |
| | 22. STOW PIN |
| | 23. ROTATION PIN |
| | 24. TIRE |

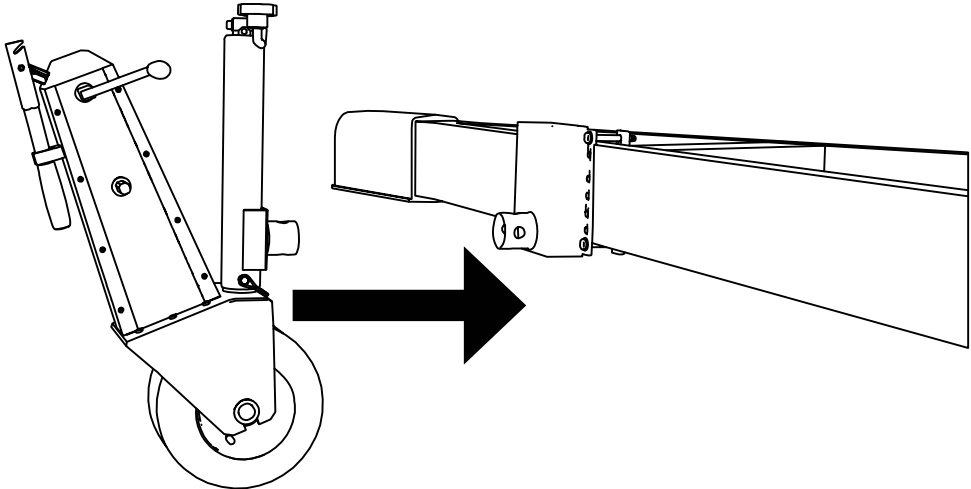


ASSEMBLY

1



2



INSTALLATION

⚠ WARNING The safest way to install the Trailer Valet is while the trailer is securely mounted to your vehicle or mounted on an existing jack.

Getting Started

1) Things you will need to operate your Trailer Valet:

- All operating instructions
- Trailer Valet
- Mounting Bracket
- Crank Handle

Items sold separately:

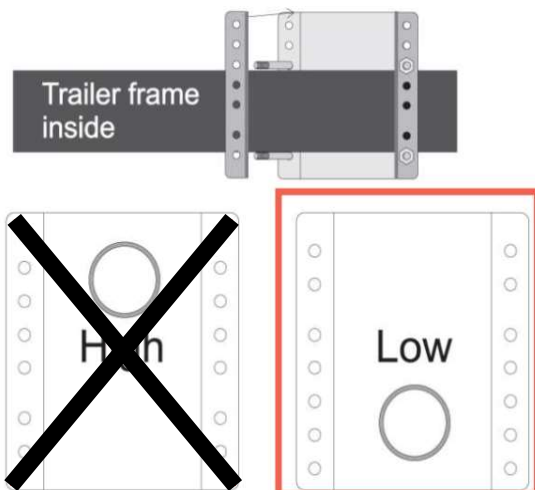
- Standard Drill/Driver (minimum drive torque 20 ft. lbs. - 4 N-m)
- Drill Attachment (available at www.trailervalet.com)

2) Upon removing the dolly from packaging, it is very important to thoroughly inspect all parts of the system before using the device. Any part that is missing or damaged must be immediately replaced. Contact Trailer Valet Customer Service at 1-626-400-6299.

⚠ WARNING Only use the mounting bracket included in the box when operating the device.

Step 1: CHOOSE A LOCATION ON THE TONGUE WHERE THE TRAILER VALET CAN FREELY ROTATE FROM ITS VERTICAL POSITION TO ITS HORIZONTAL STOW POSITION.

The mounting bracket has 7 holes to fit a variety of trailer frames. Have a tongue clearance of at least 13 inches off the ground before installing the bracket. Set aside 8 inches of space on the tongue for the mounting bracket.



⚠ WARNING The Trailer Valet is only to be installed on trailer tongues that are rectangular in profile. Cylindrical tongues are not compatible with the Trailer Valet as it will rotate, allowing the trailer to drop.

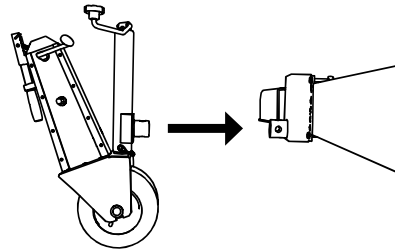
Step 2: INSTALL THE MOUNTING BRACKET

1) Place the mounting bracket (Part Number 20) and clamps (Part Number 21) onto the area of the tongue you designated in Step 1, and secure onto the tongue with the 4 bolts, each bolt having one washer, one spring washer and one nut. Do not completely tighten the bolts yet.

NOTE: It is recommended that you make sure the Trailer Valet will have the necessary clearance from the ground to operate and rotate into the stow position.

2) Attach Trailer Valet to the mounting bracket in the vertical position and check height.

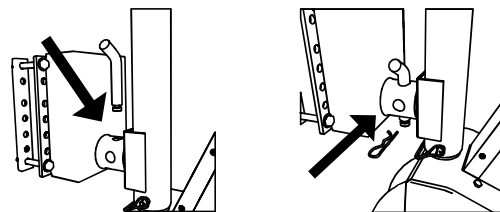
NOTE: The trailer should be high enough so that the Trailer Valet is at least 1 inch off the ground at this stage of installation. If the Trailer Valet is not high enough, adjust trailer height or mounting bracket and test again.



3) Evenly and firmly tighten the 4 bolts.

Step 3: SECURE THE TRAILER VALET

Set the stow pin to secure the Trailer Valet and set the cotter pin to secure the stow pin.



⚠ WARNING Tires must be above 75 psi (pounds per square inch) prior to use. Do not use the device if the tires are damaged due to its failure to hold air. Check tire pressure before using the Trailer Valet for the first time, since air pressure might have been lost in transit.

OPERATING INSTRUCTIONS

In this guide, you are shown the basic fundamentals for effective dollying. However, it is up to you to analyze the situation and make the decisions necessary for the proper use of your Trailer Valet. Knowing the proper dollying techniques can help keep you and others around you safe. Apply your knowledge of your Trailer Valet and the basic fundamentals you have practiced to adjust your techniques to each situation.

Using the Trailer Valet

Step 1: SECURE THE TRAILER VALET

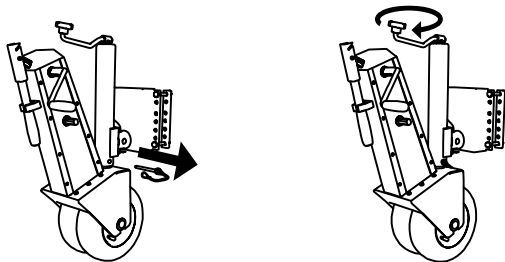
Mount the Trailer Valet onto the mounting bracket, drop the stow pin in place and secure that with the cotter pin.

⚠ WARNING Take the necessary precautions against uncontrolled trailer movement by locking the Trailer Valet brake and placing tire blocks accordingly.

Step 2: RAISE THE TRAILER VALET

Remove the rotation pin (Part Number 23) from the bottom of the jack and turn the crank (Part Number 3) to raise the trailer up off the hitch ball, if attached to a towing vehicle.

NOTE: Some hitching mechanisms can become stuck to the ball. Slightly rocking the trailer will loosen the connection, freeing the trailer. Remember to also disconnect any towing safety chains, the brake-turn signal wire harness and any other connections.



Step 3: TESTING THE ASSEMBLY

⚠ WARNING Always ensure the operator and bystanders are aware of the stability of the load.

Raise the trailer gradually until the existing jack is above ground (during first use and until you are comfortable with using the Trailer Valet) and the trailer is completely supported by the Trailer Valet.

NOTE: Keeping the trailer jack close to the ground prevents serious damages from occurring due to unexpected failures.

NOTE: If the tires on the Trailer Valet seem too deflated and unable to hold the weight, lower the jack and remove the device to check air pressure.

Step 4: MOVE THE TOWING VEHICLE

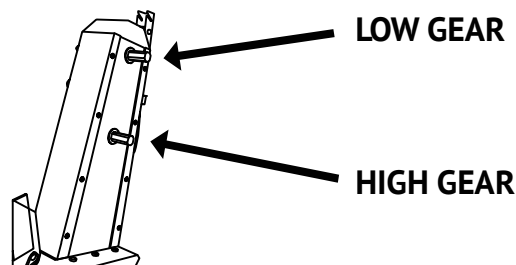
Once the hitch ball of the towing vehicle is detached from the trailer coupler and the Trailer Valet fully hoists the trailer, move the towing vehicle away from the trailer.

NOTE: Driving the Trailer Valet with the jack extended will cause excessive wear on the jack and possibly result in injury, and/or property damage. Always lower the jack to its lowest height before moving your trailer with the Trailer Valet.

Step 5: CHOOSE YOUR GEAR

The high gear (located at the bottom driveshaft) is for greater speed, while the low gear (located at the top driveshaft) is for greater power. Choose your gear according to your trailer-moving needs.

NOTE: Start in the low gear setting to get a feel for safely controlling the trailer.



Step 6: ATTACH YOUR PREFERRED DRIVER

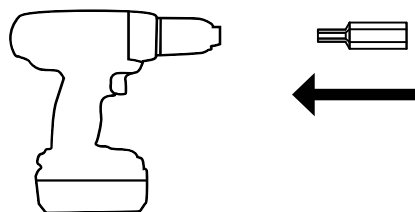
Option 1: Manual Operation with the Drive Handle

- 1) Attach the drive handle to the low or medium gear of the driveshaft.

Option 2: Using the Drill Socket

⚠ WARNING If you are using a cordless drill, be sure your battery pack is fully charged before use. Follow your drill/driver manufacturer's recommendations. **DO NOT** use a drill on the high gear driveshaft of the Trailer Valet.

- 1) Connect the drill socket to your drill/driver.



- 2) Secure the chuck of your drill around the drill socket tightly to avoid the socket slipping off the drill.

OPERATING INSTRUCTIONS

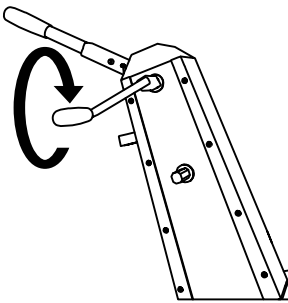
⚠️WARNING Always tighten the drill to the drill socket. The drill can loosen and cause injury.

- 3) If using a corded drill/driver, verify that the power cords and extension cords are placed so that the tires on the Trailer Valet or moving vehicle will not damage the cords or that the cords cannot be stepped on, tripped over, or otherwise subjected to damage or
- 4) Align and insert the drill socket to the low gear driveshaft.

Step 7: RAISE THE STEERING HANDLE AND ROTATE THE DRIVESHAFT

⚠️WARNING Hold the drill/driver firmly when engaging. The drill will have high initial torque.

- 1) Remove the rotation pin (Part Number 23).
- 2) Have one hand firmly gripped on the steering handle, which acts as a brake when lowered, and the other hand firmly gripped on the drill/driver.
- 3) Slowly lift the steering handle until the brake is disengaged and start cranking.



NOTE: It is important that you steer the device only when you are cranking and the trailer is moving. Attempting to turn the steering handle at a dead stop will cause the gears to fall out of alignment.

⚠️WARNING Always be aware of your surroundings, especially while walking backwards! Never sit on your trailer while driving your Trailer Valet or allow other people to. Always drive on clean smooth, solid surfaces to maintain traction.

Step 8: PARK YOUR TRAILER

Once you have moved your trailer to your desired location with the aid of the Trailer Valet, lower the handle so that the brake is engaged to prevent movement. Follow this by placing wheel blocks below your trailer's wheels to secure your trailer from accidental movement.

*NOTE: The Trailer Valet brake is **not** a progressive brake, and it is not intended to regularly stop your trailer if it is in motion. Using the brake as such can cause excessive wear and damage over time and will be considered a misuse of the Trailer Valet.*

Re-Hitching Your Trailer

Step 1: CONNECT YOUR TRAILER TO THE HITCH BALL

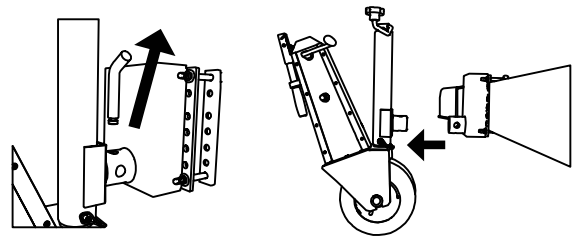
- 1) Raise the jack until the Trailer Valet wheels are firmly on the ground.
- 2) Remove any wheel blocks below the trailer.
- 3) With your Trailer Valet, guide the trailer until the coupler is above the hitch ball of the towing vehicle.
- 4) Lower the jack until the coupler is engaged with the hitch ball, and lock the coupler.

Step 2: REMOVE THE TRAILER VALET

- 1) Remove the drill/driver handle.
- 2) Lower the existing jack until the Trailer Valet is above ground.
- 3) Insert the rotation pin into the jack assembly.
- 4) Choose from one of the following two options:

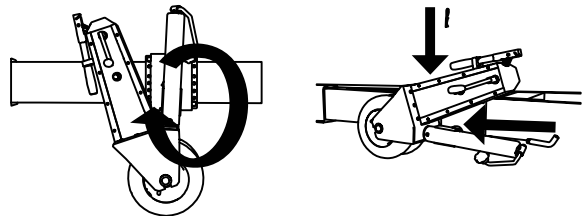
Option 1: Removing the Trailer Valet

Remove the stow pin and detach the Trailer Valet from the mounting bracket. Restore the stow and rotation pins and store the Trailer Valet in a safe place.



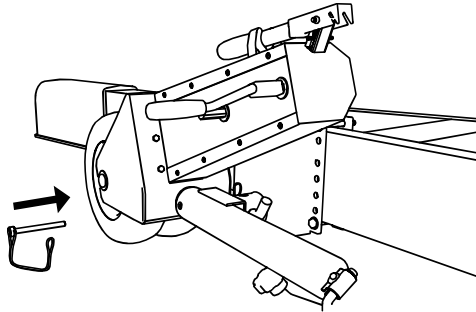
Option 2: Keep the Trailer Valet Attached to the Tongue

- 1) Lower the jack as high as possible and leave the Trailer Valet hoisted on the mounting bracket. Remove the cotter and stow pins, rotate the Trailer Valet 90 degrees (to where the steering handle faces up).



OPERATING INSTRUCTIONS

- 2) Restore the stow and rotation pins through the horizontal holes. This will allow the Trailer Valet to remain attached on the trailer while being towed and ready for reuse.



The Trailer Valet 5X comes with a security bolt (Part Number 21b) that is an option to secure the device while trailering. If you travel with the 5X and choose to use it, the bolt attaches through the back of the mounting bracket and tightens into the tube of the 5X. Make sure this bolt is loaded onto both the Trailer Valet and the mounting bracket, along with the rotation and stow pins, before trailering.

⚠ WARNING Make sure that the Trailer Valet does not swing and fro when raised if you decide to keep the Trailer Valet hoisted when towing. Swinging of the device can cause damage to both your trailer and the Trailer Valet.

WARRANTY

One-Year Warranty ("Warranty"). SuperTech S. Corp. ("We" or "Us") warrants to the original consumer purchaser only ("You") that the product will be free from material defects in both material and workmanship, ordinary wear and tear excepted, provided that installation and use of the product is in accordance with product instructions. There are no other warranties, expressed or implied, including the warranty of merchantability or fitness for a particular purpose. This warranty is not transferable.

SuperTech's obligation under the above warranty is limited to repairs or replacement parts of the SuperTech Product, at its option due to a manufacturing defect of the Product. SuperTech shall not be liable for the loss of or use of vehicles, loss of or damage to personal property, expenses such as telephone, lodging, gasoline, towing, tire damage or any other incidental or consequential damages incurred by the Purchaser, or any other person or entity.

SuperTech will examine the Product. If SuperTech, in its exclusive discretion, determines that the defect or damaged Product is covered under this limited warranty, SuperTech will replace any defects of the Product or replace the Product at any time.

Limitations on the Warranty. This Warranty does not cover: (a) normal wear and tear; (b) damage through abuse, neglect, misuse, natural events, contingencies beyond Our control or as a result of any accident; (c) damage from misapplication, overloading or improper installation; (d) improper maintenance and repair; (e) damage as a result from the shipping and handling by third-party vendors; and (f) product alteration in any manner by anyone other than Us, with the sole exception of alterations made pursuant to product instructions and in a workmanlike manner.

Obligations of Purchaser. To make a Warranty claim, contact Us by mail or in person at 2368 Peck Road, City of Industry, CA 90601 or 1-626-400-6299, identify the product by model number and follow the claim instructions that will be provided. If it is necessary to ship the Product to Us, you may either (1) pay for your own shipping, or (2) include a request to mail You a shipping label as part of Your claim. Any returned product replaced by Us becomes our property. Please retain Your purchase receipt to verify date of purchase and that You are the original consumer purchaser. The Product and a copy of the purchase receipt must be provided to Us in order to process Your Warranty claim.

Refund Policy. If you purchased the product through us and wish to return the Product for a refund, contact Us, provide a reason for your return and follow the instructions that will be provided. We will inspect the Product and, if it is in an acceptable condition, process a refund minus a 15 percent re-stocking fee. If you purchased the Product through a third-party vendor, your actions are subject to the policies of the vendor; contact the vendor for further information.

Remedy Limits. Product replacement is Your sole remedy under this Warranty. We shall not be liable for service or labor charges incurred in removing or replacing a product or any incidental or consequential damages of any kind.

Assumption of Risk. You acknowledge and agree that the use of the product for any purpose other than the specified use(s) stated in the product instructions is at Your own risk.

Governing Law. This Warranty gives You specific legal rights, and You also may have other rights which vary from state to state. This Warranty is governed by the laws of the State of California, without regard to rules pertaining to conflicts of law. The state courts located in California shall have exclusive jurisdiction for any disputes relating to this Warranty.

MAINTENANCE

Check	Before First Operation	Before Each Use	Every 90 Days
Take the time to read and understand these operating instructions in order to understand your Trailer Valet and its operations	×		
Read and understand your drill/driver operator's manual and instructions.	×		
Inspect the Trailer Valet for damage. Replace any damaged parts immediately. If a part must be replaced, contact Trailer Valet Customer Service at 1-626-400-6299.	×	×	
If you plan to keep the device attached to the trailer after each use, you must restore the rotation and stow pins to ensure the Trailer Valet does not swing against the trailer tongue.		×	
Keep device free from contaminants. Use the cleaning towel provided to remove any dirt and debris.		×	
Check the tires so that they are inflated no more than 85psi. (If the tires are underinflated, tire failure will result.)		×	×
Apply multipurpose grease to the chain by removing the front cover of the device.			×

Additional Tips

- The Trailer Valet is made of high strength steel and given a powder coat finish made to resist corrosion. However, if the device is used in a marine environment or where road salt is encountered, rinse off the interior and exterior with fresh water and allow to dry. DO NOT SUBMERGE THE TRAILER VALET IN WATER, as this can damage the gears and erode lubricants.
- After each use, wipe exterior surfaces with a clean cloth.

Copyright 2012 by SuperTech S. Corporation. All rights reserved. No portion of this manual or any artwork contained herein may be reproduced in any shape or form without the express written consent of SuperTech S. Corporation.

For further information or if you have any questions, please contact:

SUPERTECH S. CORP.
2368 Peck Road
Industry, CA 90601
Customer Service: 1-626-400-6299
Email: support@trailervalet.com
or visit: www.TrailerValet.com