

INSTALLATION INSTRUCTIONS



E-Z Flex™ Equalizer Kits for Double Eye Springs

K71-654-00 E-Z Flex™ Equalizer & Bolts for Tandem Axles with 33" Axle Spacing, 6000 Lb. Max Capacity

K71-655-00 E-Z Flex™ Equalizer & Bolts for Tandem Axles with 35" Axle Spacing, 8000 Lb. Max Capacity

K71-658-00 E-Z Flex™ Equalizer & Bolts for Triple Axles with 33" Axle Spacing, 6000 Lb. Max Capacity

K71-659-00 E-Z Flex™ Equalizer & Bolts for Triple Axles with 35" Axle Spacing, 8000 Lb. Max Capacity

Safety Precautions:

Before performing any maintenance or repair work requiring the raising of the vehicle, make sure that the vehicle is properly supported on lift stands of sufficient capacity. Follow the vehicle manufacturer's recommendations for lifting and supporting the unit.

Do not lift with or place supports under any part of the suspension system unless specifically directed to do so during the disassembly and reassembly steps of these instructions.

Lower the partially disconnected assembly until the equalizers are clear of their respective hangers.

4. Discard center pivot bolt and nut.
5. Remove the shackle link nuts that attach to the equalizers and retain.
6. Remove the shackle link and shackle link assembly.
7. Discard the equalizer.

Inspection:

1. Examine the bolt holes in the frame hangers. Holes that have been elongated or worn larger will not provide for a proper fit of the new bolts. The splined section of the bolt, adjacent to the bolt head is designed to create an interference fit in the hanger and prevent bolt rotation.

CAUTION

Never rely on jacks alone to support the vehicle. A vehicle that is not securely supported may fall and cause severe injuries or death.

CAUTION

Safety glasses should be worn at all times when assembling or disassembling axles and their components. Failure to comply may result in serious eye injury.

CAUTION

Loose fitting bolts can result in premature wear and lead to eventual failure. Failure of suspension components may cause loss of vehicle control and result in an accident involving personal property damage, serious injury and/or death.

Disassembly:

CAUTION

Axles and suspension components are heavy and must be carefully handled to avoid pinching, straining or crushing injuries to the body.

1. When the vehicle is raised and supported with the tires just clear of the ground, remove the wheel/tire assemblies from their respective hubs.
2. Disconnect any electrical wires or hydraulic brake lines from the axles.
3. Place small jacks under the equalizers. Gently lift the weight of the assembly until the bolts can be easily removed from the center frame hangers.

2. If the bolt holes in the hangers are worn, the hangers should be replaced.

CAUTION

Contact the vehicle manufacturer for specific instructions regarding the removal of old hangers and installation of new hangers. Improper cutting and welding of these components can adversely affect the structural integrity of the vehicle frame.

REASSEMBLY:

1. Apply never seize or equivalent to the inside of the steel bushing of the equalizer.

2. Apply never seize or equivalent to the outside of the center pivot bolt.
3. Install the new E-Z Flex™ equalizer by placing it inside the center hanger, align the center hole of the equalizer to the holes in the hanger.

CAUTION

If your center hanger has a welded reinforcement tube, you must check for adequate clearance of the grease zerks.

4. Insert the center pivot bolts through the hanger hole and into the equalizer center hole.
5. Use a suitable hammer to drive the center pivot bolts into the hanger until the bolt head is seated against the hanger surface.

CAUTION

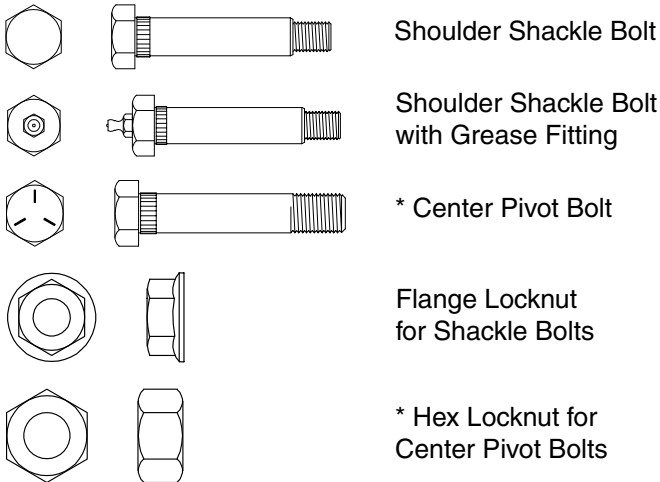
Attempts to pull the bolt into place with an impact wrench may strip the threads or cause the bolt to spin and damage the hanger hole and/or bolt spline.

6. Install the lock nut and tighten to **65-75 Ft. Lbs.**, thereby pinching the protruding steel bushing between the inside hanger side surfaces.
7. Attach the shackle link/bolt assemblies to the equalizers and spring eyes. The axles must be lifted into their normal operating position with the spring eyes above the lower holes in the equalizers. Insert the shackle link/bolt subassembly into both the equalizer and spring eye at the same time.
8. Slide the plain shackle links onto the bolt ends that protrude through the springs and equalizers. Install the flanged lock nuts onto the bolts and tighten to **30-50 Ft. Lbs.**
9. Repeat steps #7 and 8 for the other shackle link assembly and the other end of the equalizer.
10. Repeat steps #1 through 9 for the other equalizers from your kit.
11. Check the suspension for freedom of movement by lifting either of the axles. When one axle is lifted, the other should move downward and should return to its normal position when the lifting force is released.
12. Lubricate all the grease fittings using a Lithium complex grease, NLGI No. 2. Pump the grease in until it begins to show between the equalizer and the hanger.

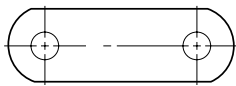
Hanger Identification:

If Static Bump Clearance is greater than 2.5", a bump stop should be used to avoid overstressing of leaf springs. Static Bump Clearance of less than 1.5" may limit full suspension movement and result in possible damage to the frame and/or axles when operating on some rough and uneven road surfaces. Tire clearance should always be greater than bump clearance to help prevent tire contact to underbody surfaces in the event of a suspension component failure.

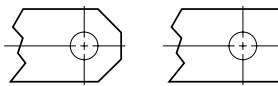
Parts Identification:



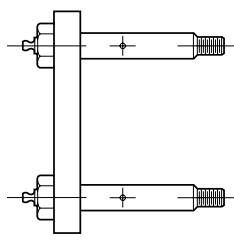
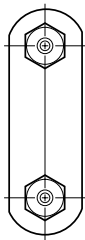
* Items included in this kit.



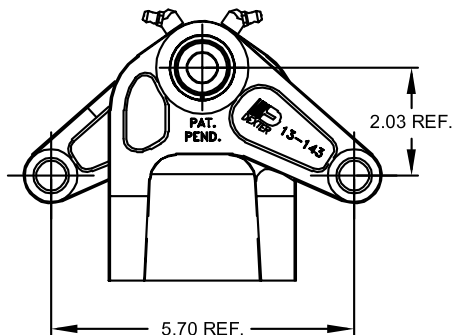
Shackle Link



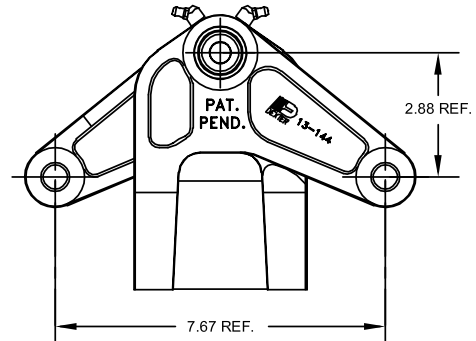
Optional End Designs



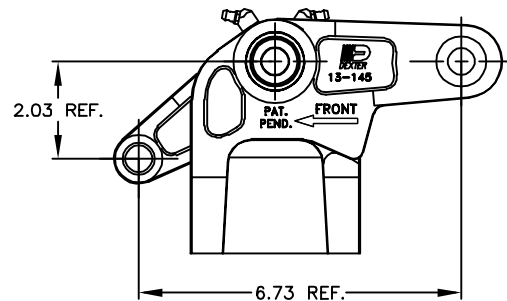
Shackle Link Assembly



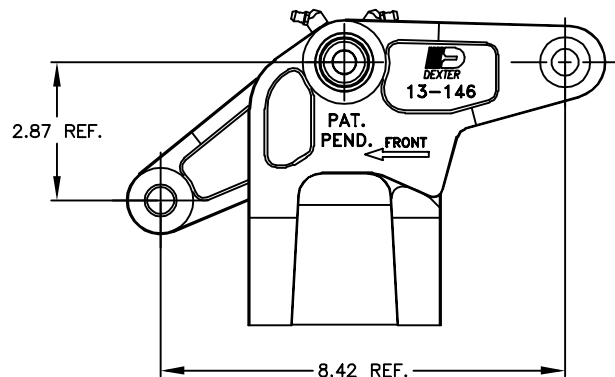
E-Z Flex™ Equalizer included in K71-654-00 & K71-658-00



E-Z Flex™ Equalizer included in K71-655-00 & K71-659-00



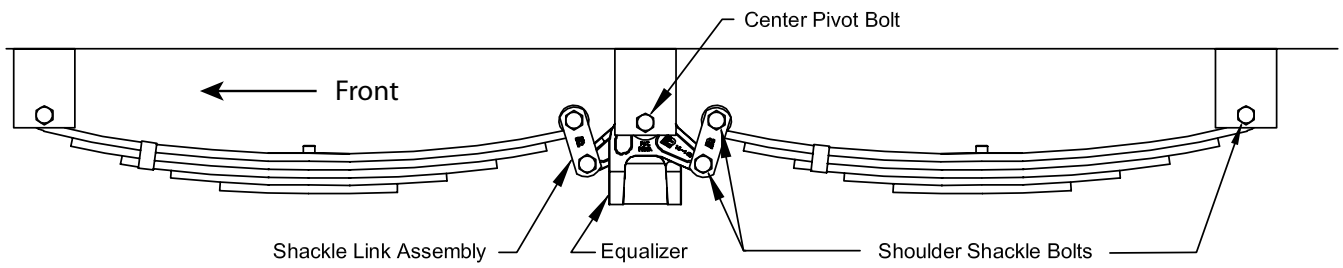
E-Z Flex™ Equalizer included in K71-658-00



E-Z Flex™ Equalizer included in K71-659-00

Note: Shackle bolts shown with grease fittings. Not shown, but may have plain shackle bolts and thinner shackle links.

Typical Tandem Axle Installation



Typical Triple Axle Installation

